

Pursuit of human civilization

OKTECH Industrial Lighting solution Catalogue

www.oceansking.com

INDUSTRIAL LIGHTING SOLUTION

OKTECH

OCEAN'S KING LIGHTING SCIENCE & TECHNOLOGY CO., LTD.

Address: Ocean's King Science & Technology Tower, No. 1601, Gaoxin Road, Guangming New District, Shenzhen, China

Tel: +86 755 26492666 / 23242666

<http://www.oceansking.com>

Fax: +86 755 26406711

E-mail: global@oceansking.com

OK
|
OKTECH

OKTECH

OCEAN'S KING LIGHTING



OKTECH Lighting products have been utilized on Shenzhou VI and Shenzhou VII Spacecrafts.

Portable lighting

001 - 036

Model	Page	Model	Page
IW5121/HU.....	001-002	FW6117.....	019-020
IW5133.....	003-004	SFW6121.....	021-022
JW5281/LT.....	005-006	FW6325.....	023-024
JW5282.....	007-008	FW6600.....	025-026
FW6100GF-J.....	009-010	RJW7101/LT.....	027-028
FW6102A/FW6102B.....	011-012	RJW7103.....	029-030
FW6105.....	013-014	JW7210.....	031-032
FW6108.....	015-016	JW7302.....	033-034
FW6116.....	017-018	JW7633.....	035-036

Lighting tower

037 - 042

Model	Page	Model	Page
SFW6110B.....	037-038	SFW6131.....	041-042
SFW6130B.....	039-040		

Fixed Explosion-Proof Lighting

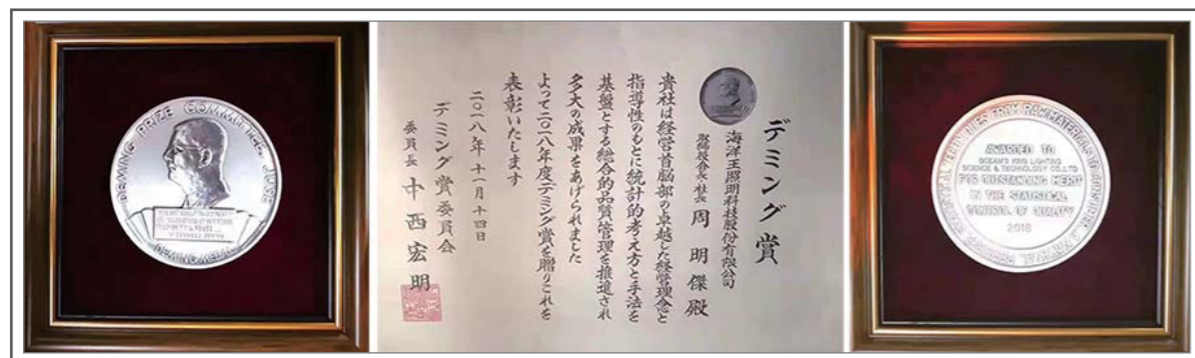
043 - 076

Model	Page	Model	Page
BFC8115 / BTC8115.....	043-046	BFC(BFE)8411.....	059-062
BFC8115A.....	047-050	BLC8615.....	063-066
BFC8116 / BTC8116.....	051-054	BPC8762.....	067-070
BFC(BFE)8126.....	055-058	BPC8766.....	071-074
OK-BLZD-1LROE 5W8402.....	075-076		

Fixed Professional Lighting

077 - 144

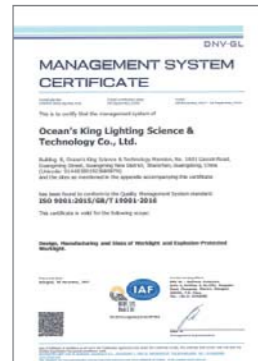
Model	Page	Model	Page
NFC(NFE)9106.....	077-080	NTC9280.....	113-116
NFC9121(A)/ON.....	081-084	NTC9280A.....	117-120
NFE9121A/NFE9121B.....	085-088	NFC9281.....	121-124
NFC9128.....	089-092	NLC9615.....	125-128
NYC9143.....	093-096	NLC9616.....	129-132
NFC9166/NFE9166.....	097-100	NSC9720/NFL.....	133-136
NFC9186A.....	101-104	NGC9822.....	137-140
NFC9189.....	105-108	NGC9823(A).....	141-144
NTC9222.....	109-112		



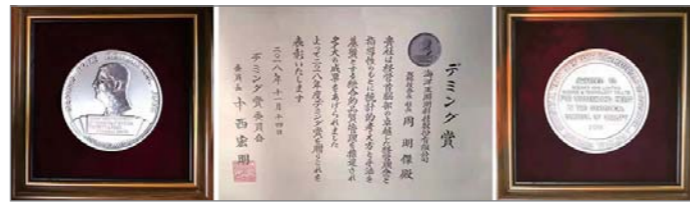
In 2018, OKTECH won the 2018 Japan Deming Quality Award.

Certificate

Quality Management



ISO9001: 2015

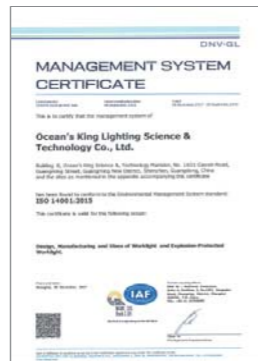


2018 Japan Deming Quality Award

HSE Management



OHSAS18001: 2007



ISO14001: 2015

Factory in Dongguan



Products certification



CE-EMC



CE-LVD



CB



CCC



IECEX



ATEX(Eurofins)



ATEX(LCIE)



CNEX

Headquarters in Shenzhen



Following the tenet of “to be pragmatic, innovative and growing”, and targeting “to be the best service enterprise of the global professional lighting industry”, Ocean's King attempts to provide the humanized and professional lighting products and services, and continuously creates values for customers and employees as well as interested persons.

Ocean's King Lighting Science & Technology Co., Ltd. is a private joint-stock high-tech enterprise established in August, 1995. The company independently develops, manufactures and sells various professional lighting fixtures and undertakes all lighting projects. On Nov. 4, 2014, Ocean's King Lighting listed on the SME Board of Shenzhen Stock Exchange, becoming the first share of China professional lighting.

Adhere to quality management and pursuit of excellent quality: Ocean's King has passed DNV ISO9001 : 2000 Quality Management System, ISO14001 Environmental Management System and OHSAS18001: 1999 Occupational Health and Safety Management Systems. In 2007, Ocean's King began to perform Performance Management Model, aiming at “Customers drive excellent performance” to improve overall effectiveness and management quality, Ocean's King is the leading enterprise in professional lighting field of China.

Focus on technical innovation and future development: Ocean's King has established a three-level research & development system: product marketing department, technical development department and Research & Development Institute. It has established long-term technical cooperation relationship with Chinese Academy of Sciences, Tsinghua University, Fudan University and other academies, and it ranks top-class level in photoelectric technology, distribution design, explosion-proof structure and lighting applications in China. The products have gained certificates of ATEX, GOST-R, GOST-K, SASO, CE, CB and CCC, accreditation of China Classification Society and China National Luminaires Quality Supervision Testing Center, and production licenses of explosion-proof products issued by UL, BV, TUV, EECS, BASEEFA and PCT. The company has obtained more than 300 national patents.

React positively to changes on the market and create service difference: Ocean's King has established 13 industrial business departments to provide services for targeted markets such as petroleum, power, industrial, water and so on.

Develop global markets and promote international brand: We have set up representative offices in Middle East, Southeast Asia, Central Asia, such as Saudi Arabia, Iran, Malaysia, Indonesia, Kazakhstan. The company provides global customers with professional lighting solutions as well as overall lighting system service, and easy, reliable and energy-saving products.

Grasp customer needs and enhance brand value: The company focuses on cultivating high-quality professional management team and professional staff team, and it has founded 130 professional service centers and more than 800 professional service departments in provincial capital cities and major cities in China.

Starting stage (1995-1999)

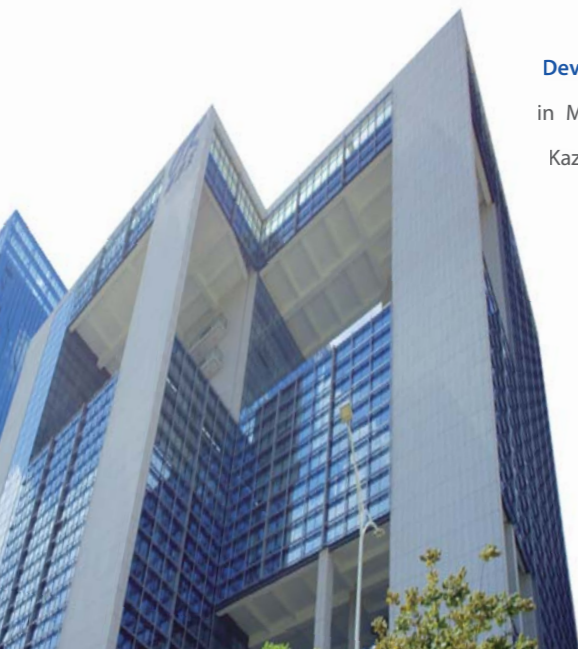
- ★ In August, 1995, Ocean's King was founded and the story began.
- ★ In 1996, the company launched IW5100 Portable WorkLight with independent intellectual property.

Growth stage (2000-2004)

- ★ In October, 2001, the company obtained the certificates of ISO9001 Quality Management System and ISO14001 Environmental Management System of Det Norske Veritas (DNV).
- ★ In March, 2002, the company was awarded “The Enterprise being faithful to its contracts and keeping promise” by Shenzhen government.
- ★ In September, 2002, the company obtained the Production License of Explosion-proof Products and Explosion-proof Certificate of Conformity issued by the international certificate authorities like BASEEFA, and became the first enterprise that passed the EU ATEX certification in China professional lighting field, with the products quality meeting the international standards.

Development stage (2005-now)

- ★ In October, 2005, the lighting products researched and developed by the company were taken to the outer space by Shenzhou 6 Spaceship as the emergency rescue equipments of “Shenzhou-6” astronauts, and filled the gap of domestic aerospace lighting.
- ★ In June, 2006, the company passed GJB9001A Quality Management System Certification of People's Liberation Army, becoming the first company to supply naval equipments in professional lighting field.
- ★ In August, 2006, Ocean's King Development Institute was established, which emphasized the development of lighting technology in the next 5-10 years, ensuring leading advantage of technology in professional lighting field.
- ★ In 2007, Ocean's King Management Institute was established, which held the systematic training of technology, management, and culture for the managers and employees of the company.
- ★ In 2007, in the competition with international brands (such as Philips and GE), the company won the lighting projects of 13 Olympic venues (such as Beijing Chaoyang Gymnasium), and became the only domestic professional lighting supplier of the 2008 Beijing Olympic venues.
- ★ In December, 2007, the company passed DNV OHSAS18001:1999 Occupational Health and Safety Management Systems.
- ★ In 2008, in the rescue works of snow disaster and earthquake disaster, the company provided numerous lighting facilities to the disaster areas in the first time, and contributed funds and materials with the value of more than RMB 3 million to the disaster areas; the company obtained the “Humanitarian and Dedication Award” issued by Guangdong Red Cross Society.
- ★ On September 25, 2008, lighting fixtures of Ocean's King were taken to the outer space by Shenzhou 7 Spaceship.
- ★ In 2009, the company was awarded “National High-tech Enterprise”.
- ★ In 2009, the company was awarded “China Quality Award” by China Association for Quality.
- ★ In April, 2012, “Ocean's King” was recognized as “China famous trademark”. We are striving for winning Deming Prize in 2015.
- ★ On Nov. 4, 2014, Ocean's King Lighting listed on the SME Board of Shenzhen Stock Exchange, becoming the first share of China professional lighting.
- ★ In 2015, OKTECH industrial park was officially put into operation.
- ★ In 2016, we moved into the new headquarters in Guangming district of Shenzhen.
- ★ In 2017, all the staff strive for the Deming Award.
- ★ In 2018, OKTECH won the 2018 Japan Deming Quality Award.



APPLICATIONS

Suitable for security patrols and inspection duties in hazardous locations in oil & gas and petrochemical industries.

IW5121/HU EXPLOSION-PROTECTED HAND LAMP



- Lighting angle adjustment, strong light and working light switchable
- Suitable for Zone 1 and Zone 2 applications
- Ingress protection to IP66
- Magnetic base for hands free operation
- Indication of available operating time and low power indicator

Zone
1

Zone
2

Rechargeable

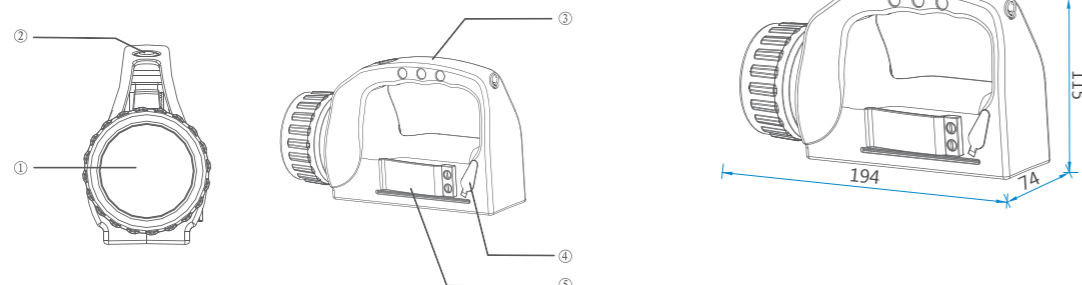
IP
66



DIMENSION DRAWINGS

- Lamp
- Switch
- Handle
- Charging port
- Buckle

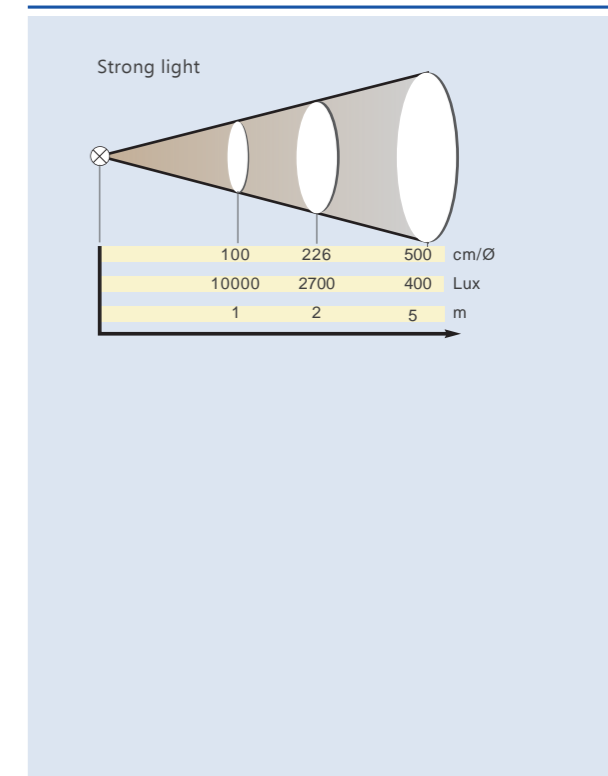
*all dimensions in mm



TECHNICAL DATA

Certification	CCC, CNEX
International approvals	Ex ib IIC T4
Coding	IEC 60079 / IEC 60598
Conformity to standards	
Material	
Body material	Polycarbonate
Diffuser	Tempered glass
Light source	
Wattage	1 W / 3 W
Type	LED
Luminous efficiency	140 lm / W
Current (1 W)	380 mA(strong light)
	190 mA(working light / flood light)
Current (3 W)	690 mA(strong light)
	190 mA(working light / flood light)
Life	≥ 100000 h
Rated voltage	
Input	100 V - 240 V AC 50 Hz / 60 Hz
Output	3.7 V DC
Battery	
Type	Lithium battery
Capacity	4 Ah
Life	1000 cycles
Charging time	≥ 6 h
Duration (1 W)	≥ 10 h(strong light)
	≥ 20 h(working light / flood light)
Duration (3 W)	≥ 5 h(strong light)
	≥ 20 h(working light / flood light)
Degree of protection	IP66
Ambient temperature	-20 °C to +55 °C

RANGE DIAGRAM



SELECTION TABLE

Model	Type	Weight (kg)
IW5121/HU/1/LED	Cool white	0.50
IW5121/HU/3/LED	Cool white	0.50

ACCESSORIES

Name	Picture	Ordering code	Weight (kg)
Charger-Chinese Plug		1303030074	0.06

APPLICATIONS

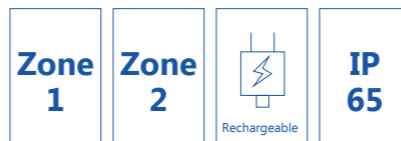
Suitable for illumination of security patrols, inspection and repair works, construction operations, rescue operations.



IW5133 EXPLOSION-PROTECTED HEADLAMP

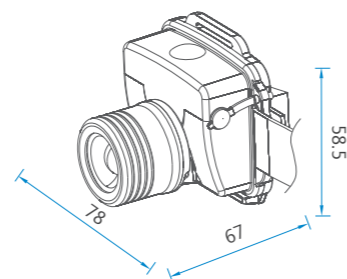
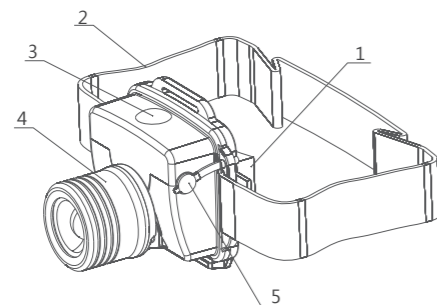


- Designed for Zone I and Zone II applications
- Up to 8 hours of operating duration
- Spotlight and working light adjustable
- Two types of light sources available: cool white and warm white
- Indication of residual battery capacity and low capacity warning
- Designed to be worn on the head or on the helmet by the strap



DIMENSION DRAWINGS

1. Pad
2. Strap
3. Switch
4. Adjustable light head
5. Charging port

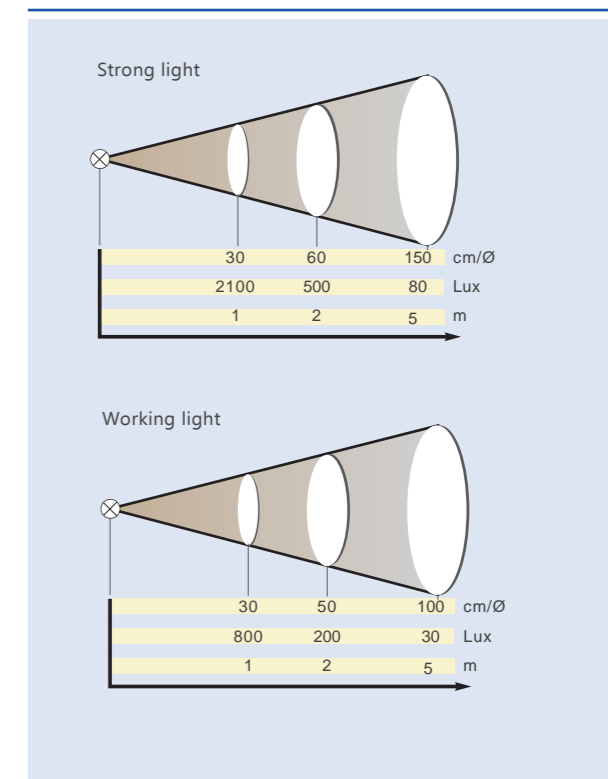


*all dimensions in mm

TECHNICAL DATA

Certification	International approvals: CCC, CNEX
	Coding: Ex ib IIC T3 Gb
Conformity to standards	IEC 60079 / IEC 60598
Material	
Body material	Polycarbonate
Diffuser	Polycarbonate
Light source	
Wattage	3 W
Type	LED
Luminous efficiency	140 lm / W
Current	120 mA(working light) 320 mA(spotlight)
Life	≥ 100000 h
Rated voltage	
Input	100 V - 240 V AC 50 Hz / 60 Hz
Output	3.7 V DC
Battery	
Type	Lithium battery
Capacity	2 Ah
Life	1000 cycles
Charging time	≤ 6.5 h
Duration	≥ 8 h(spotlight) ≥ 16 h(working light)
Degree of protection	IP65
Ambient temperature	-20 °C to +40 °C

RANGE DIAGRAM



SELECTION TABLE

Model	Type	Weight (kg)
IW5133/3/LED	Cool white	0.11

ACCESSORIES

Name	Picture	Ordering code	Weight (kg)
Charger-Chinese Plug		1303030074	0.06

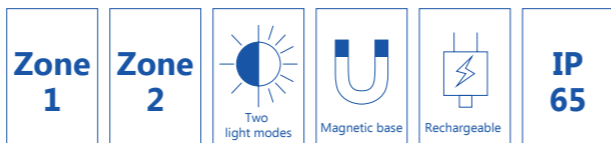
APPLICATIONS

- I. Suitable for illumination of loading and unloading works on goods yards, security patrols, inspection and repair works, rescue operations, etc.
- II. Suitable for emergency lighting for tunnels, subways, caves and other outdoor operations.

JIW5281/LT PORTABLE MULTIFUNCTION STRONG LIGHT

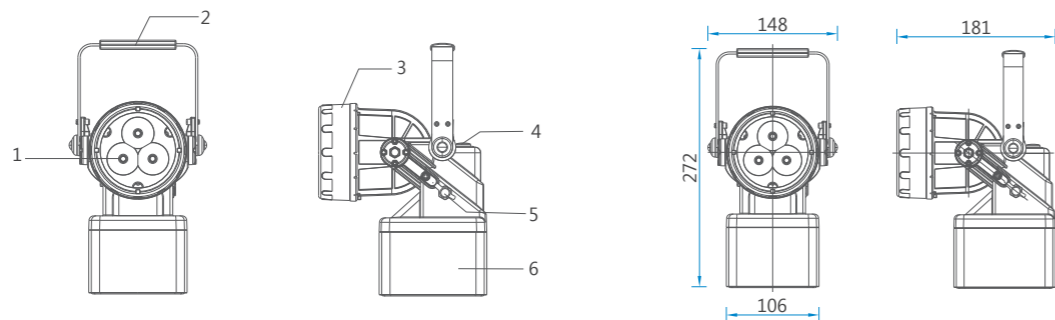


- Magnetic base
- Rechargeable
- Indication of available battery capacity
- Two modes: strong light and working light
- Adjustable light head



DIMENSION DRAWINGS

1. Lamp
2. Handle
3. Light head
4. Switch
5. Charging port
6. High-energy lithium battery

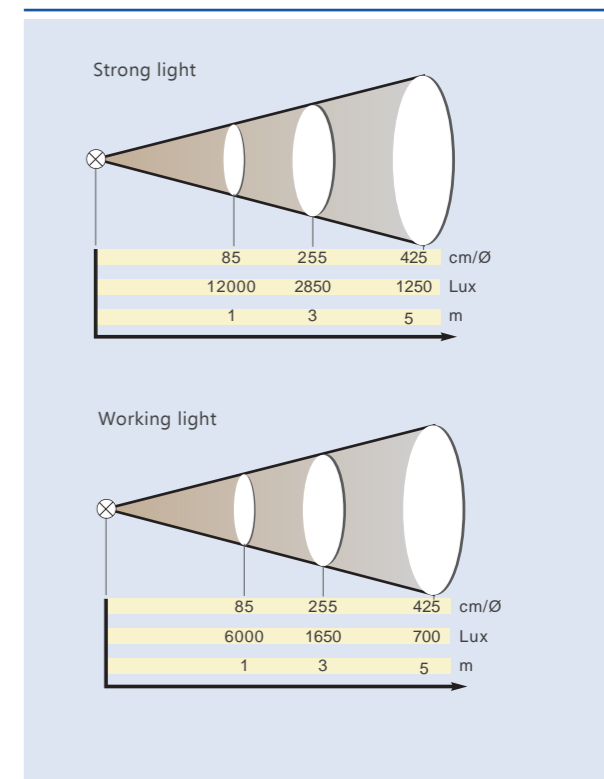


*all dimensions in mm

TECHNICAL DATA

Certification	International approvals: ATEX, CCC, CNEX
	Coding: Ex II 2 G Ex de IIC T6 Gb
Conformity to standards	IEC 60079 / IEC 60598
Material	
Body material	Ploycarbonate
Diffuser	Tempered glass
Light source	
Wattage	3 x 3 W
Type	LED
Luminous efficiency	140 lm / W
Current	130 mA(working light) 290 mA(spotlight)
Life	≥ 100000 h
Rated voltage	
Input	100 V - 240 V AC 50 Hz / 60 Hz
Output	11.1 V DC
Battery	
Type	Lithium battery
Capacity	2 Ah
Life	500 cycles
Charging time	8 h
Duration	≥ 6.5 h(strong light) ≥ 13 h(working light)
Degree of protection	IP65
Ambient temperature	-20 °C to +55 °C

RANGE DIAGRAM



SELECTION TABLE

Model	Type	Weight (kg)
JIW5281/9/LED	Cool white	1.37

ACCESSORIES

Name	Picture	Ordering code	Weight (kg)
Charger-Chinese plug		3015504074	0.16
Charger-Europlug		3015504073	0.18
Charger-BS plug		3015504072	0.21



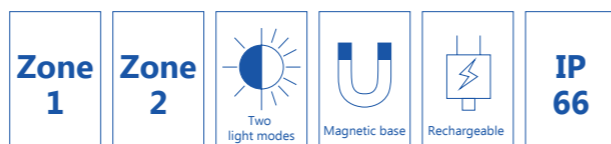
APPLICATIONS

- I. Designed to provide specific portable lighting for rescue operations, patrol works, inspection works, goods yards handling operations, etc.
- II. Ideal for use as emergency lighting in the tunnels, metros, caves, construction areas, etc.

JIW5282 EXPLOSION-PROTECTED HAND LAMP

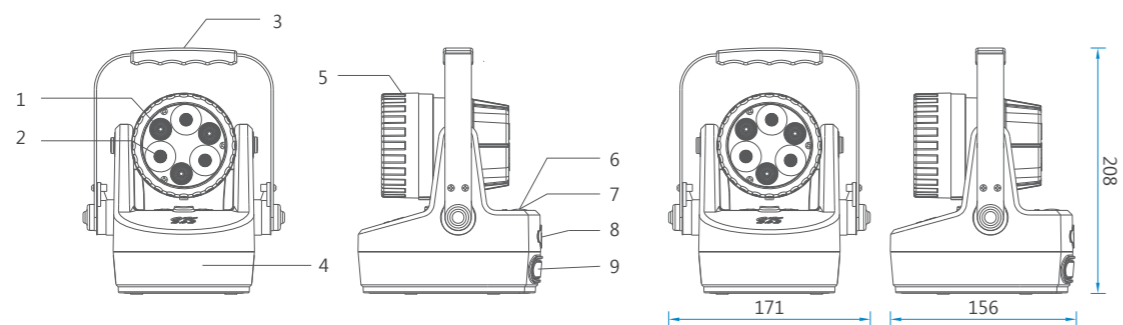


- Designed for Zone I and Zone II applications
- Available with spotlight, working light and yellow warning light
- Operating duration: more than 10 hours (high beam mode), more than 24 hours (medium beam mode), more than 80 hours (low beam mode)
- Fast charging mode allowing for higher than 80% of capacity after 2-hour charging and full charging within 3.5 hours
- Indication of residual battery capacity and low capacity warning
- Designed with various carrying modes, such as magnetic adsorption, put on the ground, hand carrying



DIMENSION DRAWINGS

- Working light
- Spotlight
- Handle
- Battery
- Light head
- Switch button
- Battery capacity indicator
- Charging port
- Yellow warning light

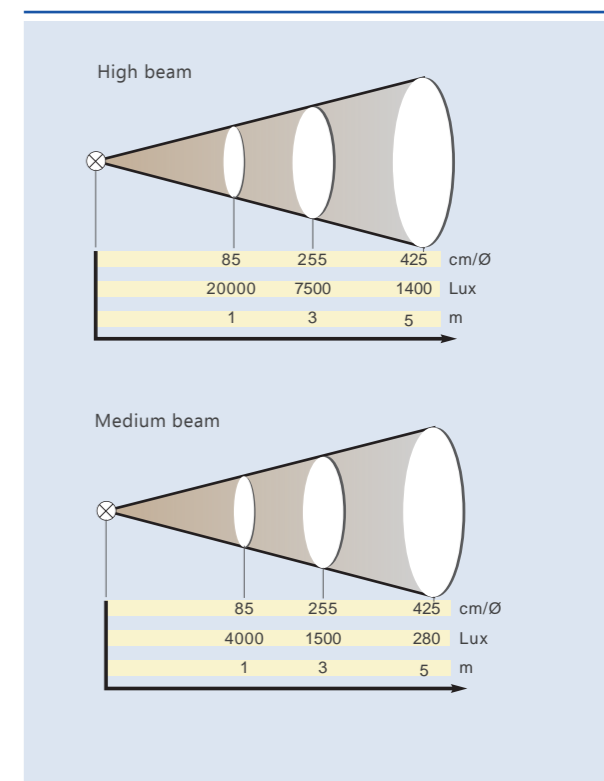


*all dimensions in mm

TECHNICAL DATA

Certification	International approvals: ATEX, IECEx, CB, CCC, CNEX, Ex d e ib mb IIC T6 Gb
Conformity to standards	IEC 60079 / IEC 60598
Material	Body material: Polycarbonate Diffuser: Tempered glass
Light source	Wattage: 12 W Type: LED Luminous efficiency: 140 lm / W Current: 1.08 A (high beam) 0.36 A (medium beam) 0.09 A (low beam) Life: ≥ 100000 h
Rated voltage	Input: 100 V - 240 V AC 50 Hz / 60 Hz Output: 11.1 V DC
Battery	Type: Lithium battery Capacity: 5 Ah Life: 1000 cycles Charging time: < 3.5 h Duration: ≥ 10 h (high beam) ≥ 24 h (medium beam) ≥ 80 h (low beam)
Degree of protection	IP66
Ambient temperature	-20 °C to +55 °C

RANGE DIAGRAM

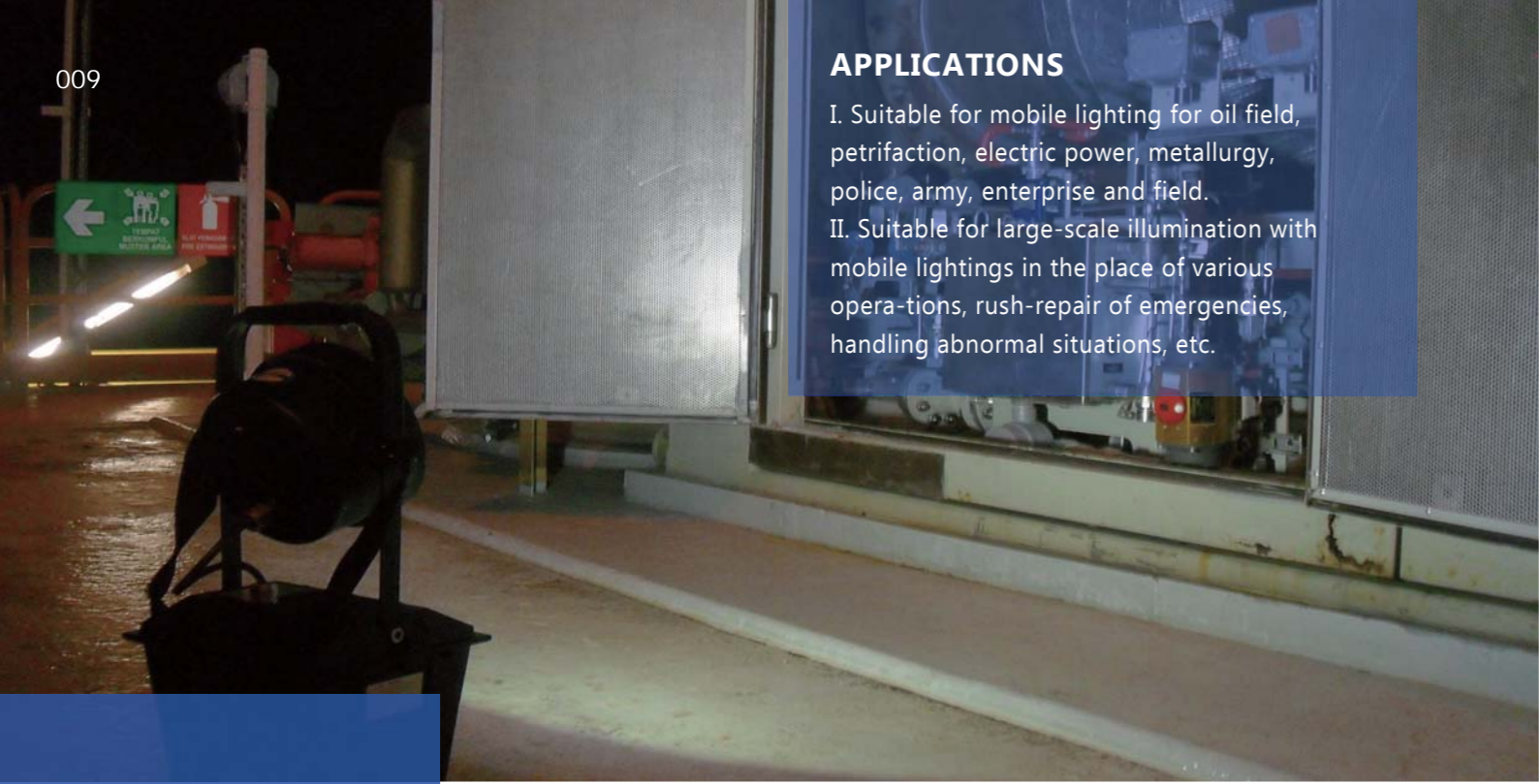


SELECTION TABLE

Model	Type	Weight (kg)
JIW5282/12/LED	Cool white	1.70

ACCESSORIES

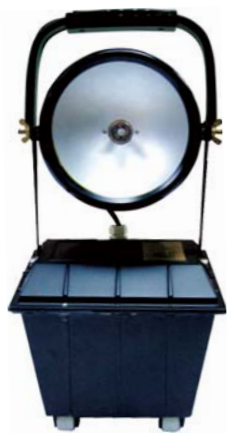
Name	Picture	Ordering code	Weight (kg)
Charger - Chinese plug		1303010188	0.20



APPLICATIONS

I. Suitable for mobile lighting for oil field, petrification, electric power, metallurgy, police, army, enterprise and field.
 II. Suitable for large-scale illumination with mobile lightings in the place of various operations, rush-repair of emergencies, handling abnormal situations, etc.

FW6100GF-J EXPLOSION-PROTECTED WORKLIGHT



- Rechargeable
- Robust light alloy enclosure
- Transparent cover: tempered glass
- Easy to carry due to two wheels and a strap
- Adjustable light head (within 60°)

Zone
1

Zone
2

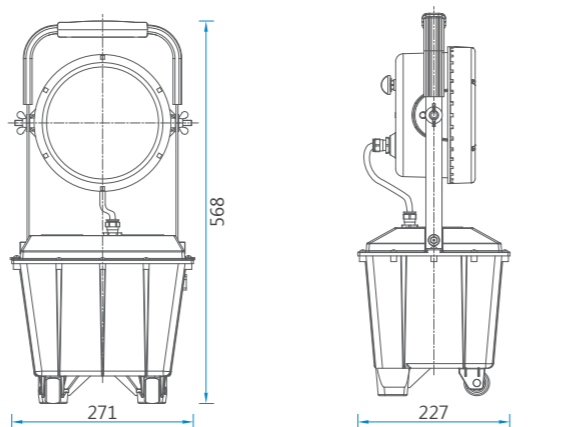
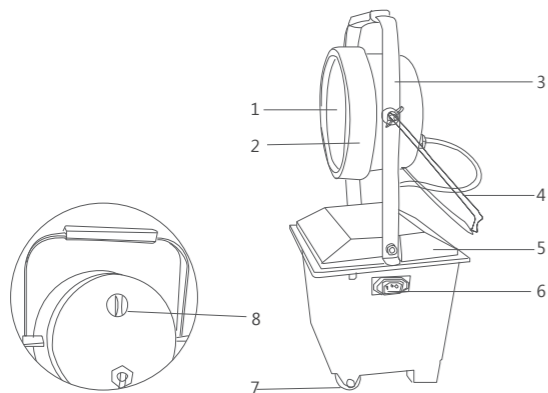
Rechargeable

IP
65



DIMENSION DRAWINGS

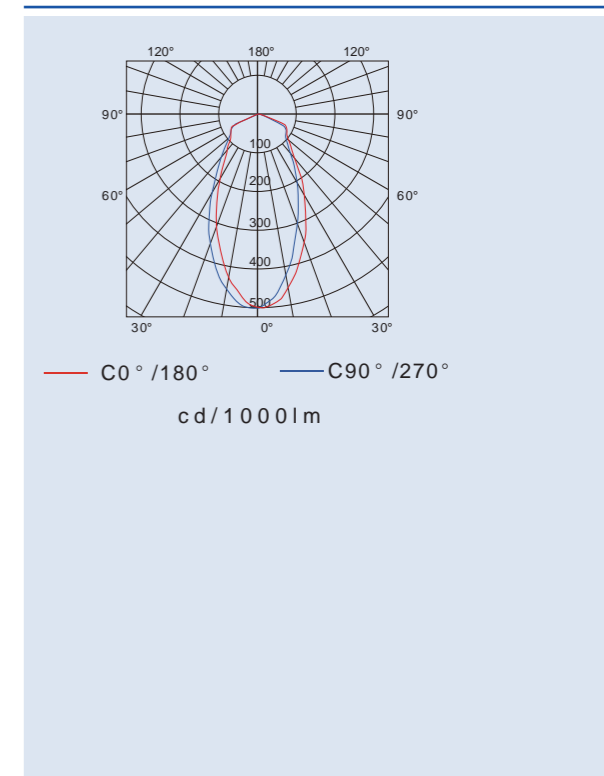
- Lamp
- Light head
- Handle
- Strap
- Battery box
- Charging port
- Wheel
- Switch



TECHNICAL DATA

Certification	
International approvals	ATEX, CCC, CNEX
Coding	Ex II 2 G Ex de IIB T4 Gb
Conformity to standards	IEC 60079 / IEC 60598
Material	
Body material	Aluminum alloy
Diffuser	Tempered glass
Light source	
Wattage	35 W
Type	Metal halide lamp
Luminous efficiency	110 lm / W
Life	≥ 10000 h
Rated voltage	
Input	100 V - 240 V AC 50 Hz / 60 Hz
Output	24 V DC
Battery	
Type	Lead-acid battery
Capacity	18 Ah
Life	500 cycles
Charging time	12 h (after normal discharging), ≥16 h (after completely discharging)
Duration	≥ 10 h
Degree of protection	IP65
Ambient temperature	-20 °C to +55 °C

PHOTOMETRIC DATA



SELECTION TABLE

Model	Type	Weight (kg)
FW6100GF-J/35/MH	/	15.00

ACCESSORIES

Name	Picture	Ordering code	Weight (kg)
Charger - Chinese plug		5050501033	0.49
Charger - Europlug		3000603114	0.50
Charger - BS plug		3000603116	0.53

APPLICATIONS

I. Suitable for illumination of fracturing trucks and tank areas in oil and gas industry, and other locations such cable tunnels, boiler areas, mining areas, construction sites on the railway, etc.



FW6102A/FW6102B EXPLOSION-PROTECTED LED WORKLIGHT



- Suitable for use in Zone 1 and Zone 2
- Voltage of driver: AC/DC 24/36V, DC 12V, AC 220V
- Superior explosion protection, heat dissipation, water resistance and vibration resistance
- Degree of protection: IP 65

Zone
1

Zone
2

Rechargeable

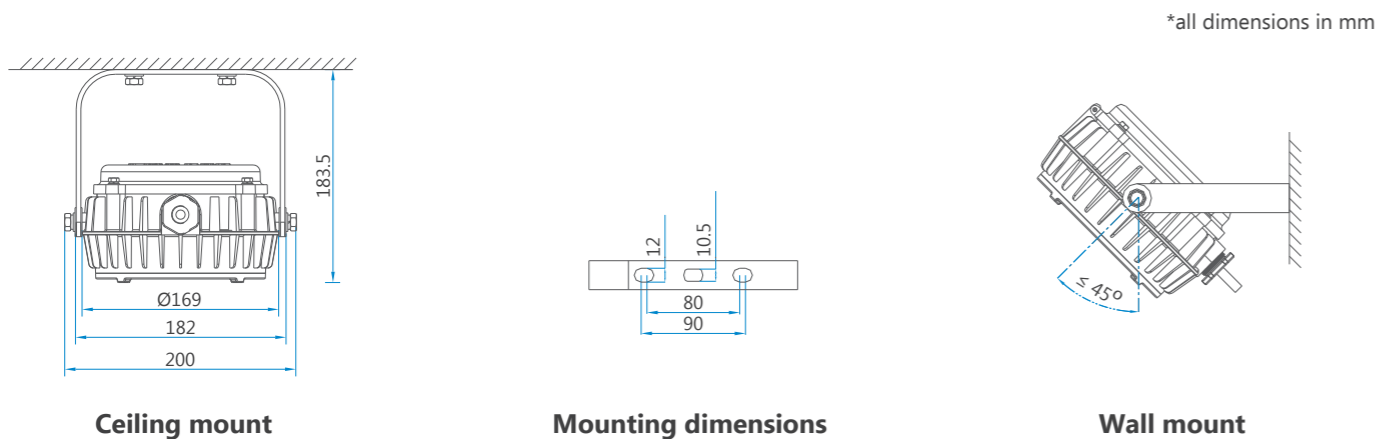
IP
65

Wall
mount

Ceiling
mount



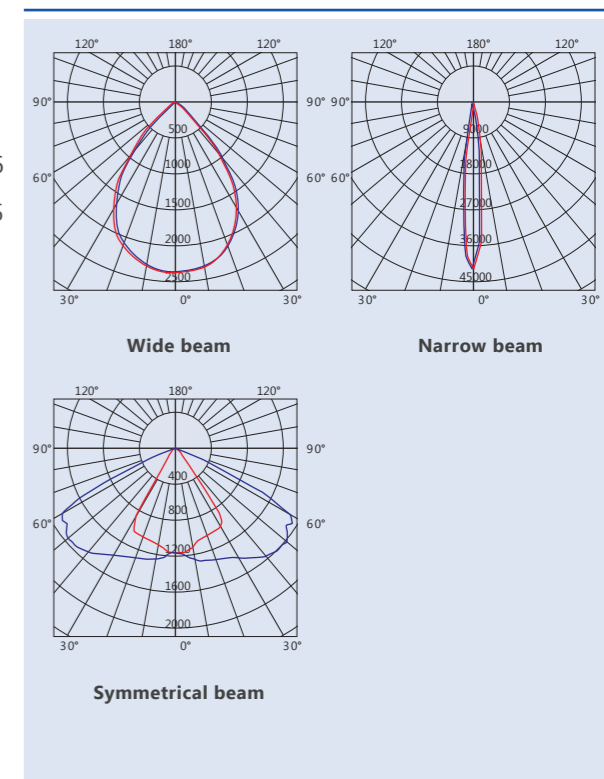
MOUNTING TYPE



TECHNICAL DATA

Certification	International approvals: ATEX, IECEX, CCC, CNEX
	Coding: Ex mb nA IIC T6 Gc, Ex tD A21 IP65 T6 Ex mb nA IIC T5 Gc, Ex tD A21 IP65 T5
Conformity to standards	IEC 60079 / IEC 60598
Material	Body material: Aluminum alloy with epoxy powder coating
	Diffuser: Tempered glass
Light source	Type: LED
	Wattage: 30 W
	Luminous flux: 3000 lm (narrow beam) 3100 lm (narrow beam) 2500 lm (narrow beam)
	Life: 50000 h
Rated voltage	Input: 220 V - 240 V AC 50 Hz / 60 Hz Output: 24 V / 36 V AC / DC 12 V DC
Degree of protection	IP 65
Ambient temperature	-20 °C to +40 °C
Cable entry	G3/4

PHOTOMETRIC DATA



SELECTION TABLE

Model	Type	Weight (kg)
FW6102A/30/LED	24 V / 36 V DC / AC	3.30
FW6102A/30/LED	12 V DC	3.30
FW6102B/30/LED	220 V - 240 V AC	3.30

ACCESSORIES

Name	Picture	Ordering code	Weight (kg)
Style-A Lamp holder power AC/DC 24/36V		1305010057	0.29
Style-A Lamp holder power DC 12V		1333010045	0.29
Style-B Lamp holder power AC220V		1333010047	0.27

APPLICATIONS

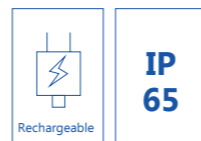
Designed for large area portable lighting on railways, power plants and other process industries.



FW6105 PORTABLE WORKLIGHT

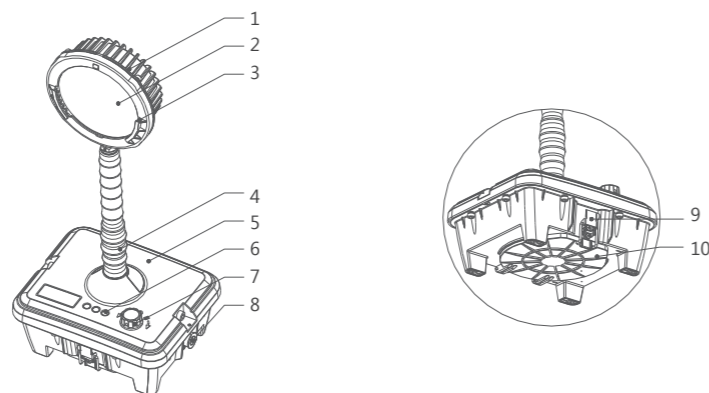


- Spotlight and working light adjustable
- Fitted with universal joint to adjust light head freely
- Indication of residual battery capacity
- Small size and low weight



COMPONENTS

1. Light head
2. Lamp
3. Slot for broad beam filter
4. Universal joint
5. Battery case
6. Battery capacity indication
7. Switch
8. Charging port
9. Buckle
10. Broad beam filter case

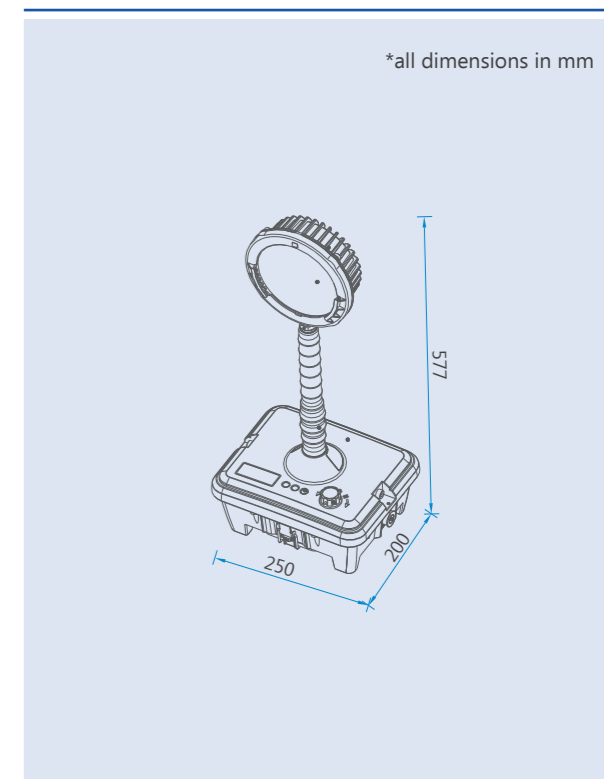


*all dimensions in mm

TECHNICAL DATA

Certification	International approvals CCC
Conformity to standards	IEC 60598
Material	
Body material	Aluminum alloy
Diffuser	Tempered glass
Light source	
Wattage	27 W
Type	LED
Luminous efficiency	140 lm / W
Life	≥ 100000 h
Rated voltage	
Input	100 V - 240 V AC 50 Hz / 60 Hz
Output	14.4 V DC
Battery	
Type	NI-MH battery
Capacity	9 Ah
Life	1000 cycles
Charging time	8 h - 10 h
Duration	16 h(broad beam) 8 h(spotlight)
Degree of protection	IP65
Ambient temperature	-20 °C to +55 °C

DIMENSION DRAWINGS



*all dimensions in mm

SELECTION TABLE

Model	Type	Weight (kg)
FW6105/SL/LED	Cool white	6.10

ACCESSORIES

Name	Picture	Ordering code	Weight (kg)
Charger-Chinese Plug		1310020327	0.42

APPLICATIONS

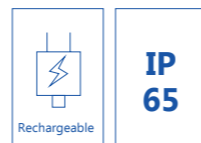
- I. Suitable for illumination of accident and crime scene investigation and evidence taking by photographing.
- II. Ideal for illumination of checkpoints and emergency applications.



FW6108 MOBILE MULTIFUNCTIONAL LIGHTING SYSTEM



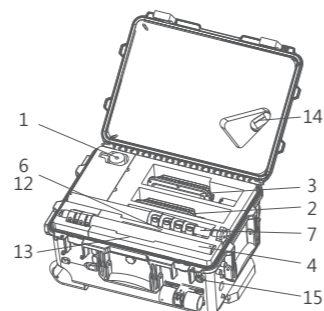
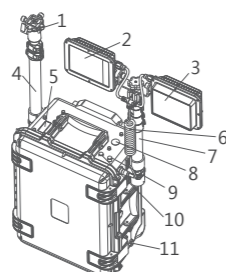
- Easy to carry and operate
- Supplied with two light heads: spotlight and floodlight
- Available for brightness adjustment
- Red and blue warning lights on the opposite sides of spotlight and floodlight
- Ergonomic design for convenient use



COMPONENTS

- | | | |
|--------------------------------------|-----------------------------------|----------------------------------|
| 1. Pan-tilt head | 6. Spring wire | 11. Charging port |
| 2. Floodlight/Red warning light head | 7. Telescopic mast for light head | 12. Extension wire for emergency |
| 3. Spotlight/Blue warning light head | 8. Switch of warning light | 13. Charger |
| 4. Telescopic mast for pan-tilt head | 9. Switch of spotlight | 14. Sensor lamp |
| 5. Battery capacity display | 10. Switch of floodlight | 15. Light head interface |

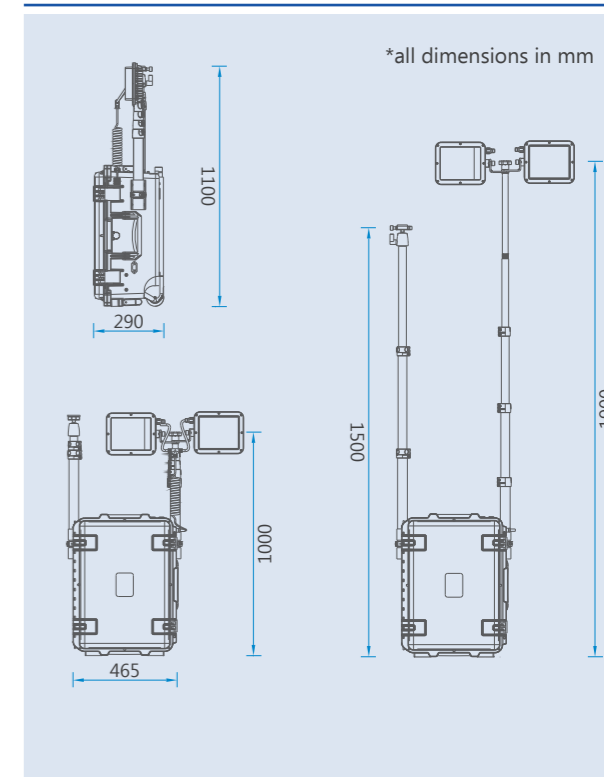
*all dimensions in mm



TECHNICAL DATA

Certification	International approvals CCC
Conformity to standards	IEC 60598
Material	Body material Polycarbonate Diffuser Polycarbonate
Light source	Wattage 25 W /45 W Type LED Luminous efficiency 140 lm / W Life ≥ 100000 h
Flash frequency	4 Hz
Rated voltage	Input 100 V - 240 V AC 50 Hz / 60 Hz Output 12 V DC
Battery	Type Lithium battery Capacity 24 Ah Life approx. 1000 cycles Charging time ≤ 16 h Duration ≥ 3.5 h(max. brightness of all lights) ≥ 10.5 h(max. brightness of spotlight) ≥ 7.5 h(max. brightness of floodlight)
Degree of protection	IP65(Lighting head) / IP54(case)
Ambient temperature	-20 °C to +55 °C

DIMENSION DRAWINGS



SELECTION TABLE

Model	Type	Weight (kg)
FW6108/LED	/	25.00

ACCESSORIES

Name	Picture	Ordering code	Weight (kg)
Charger-Chinese plug		1303010157	0.30

APPLICATIONS

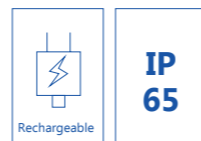
Designed for illumination of inspection and repair works, construction sites, and used to provide reliable emergency illumination.



FW6116 PORTABLE LED WORKLIGHT

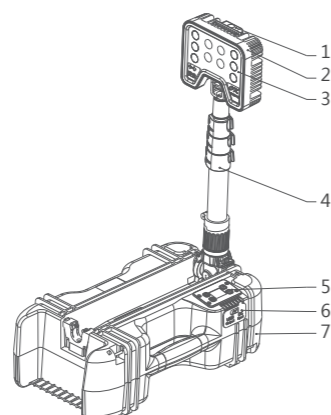


- Light modes: spotlight, floodlight, red/yellow warning light
- Fitted with 10%-100% stepless dimmer for light adjustment
- Maximum height of telescopic mast: 1.5 m
- Compact and lightweight design
- Supplied with USB port for charging
- LCD screen providing continuous information on battery capacity



COMPONENTS

1. Warning light
2. Light head
3. Lens
4. Telescopic mast assembly
5. Control panel
6. Plug for charging port
7. Battery case

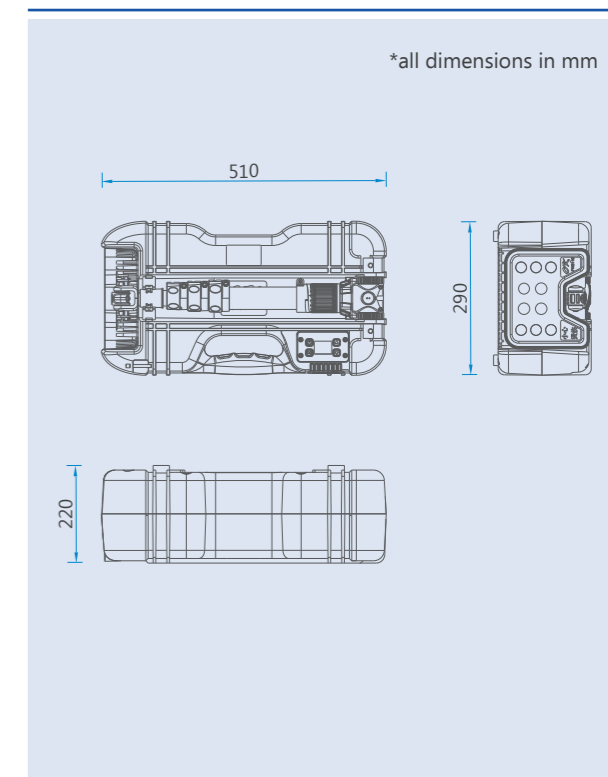


*all dimensions in mm

TECHNICAL DATA

Certification	International approvals	CE, RoHS, CCC
Conformity to standards		IEC 60598
Material	Body material	Polycarbonate
	Diffuser	Polycarbonate
Light source	Wattage	30 W
	Type	LED
	Luminous efficiency	140 lm / W
	Light mode	Spotlight / floodlight
	Dimmer	10% - 100% stepless dimmer
	Warning light	Red / Yellow
	Life	≥ 100000 h
Rated voltage	Input	100 V - 240 V AC 50 Hz / 60 Hz
	Output	21.6 V DC
Battery	Type	Lithium battery
	Capacity	13 Ah
	Life	1000 cycles
	Charging time	≤ 8 h
	Duration	> 8 h
Degree of protection		IP65(light head) IP54(battery case)
Ambient temperature		-20 °C to +55 °C


DIMENSION DRAWINGS



SELECTION TABLE

Model	Type	Weight (kg)
FW6116/30/LED	Cool white	8.00

ACCESSORIES

Name	Picture	Ordering code	Weight (kg)
Charger-Chinese Plug		1303010180	0.42

APPLICATIONS

Suitable for small scope maintenance and construction lighting of combustible and explosive area in Oil & Gas and chemical.



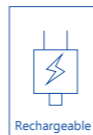
FW6117 EXPLOSION-PROTECTED PORTABLE LIGHT



- Rechargeable
- Indication of available battery capacity
- Portable shoulder back, more light for carry
- Multi-level light, with spotlight, floodlight, super lighting, and red or blue warning lights

Zone 1

Zone 2

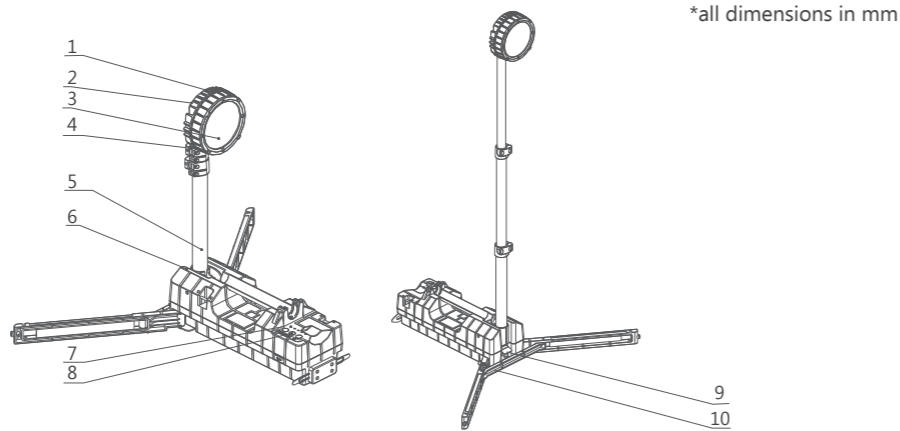


IP 66



COMPONENTS

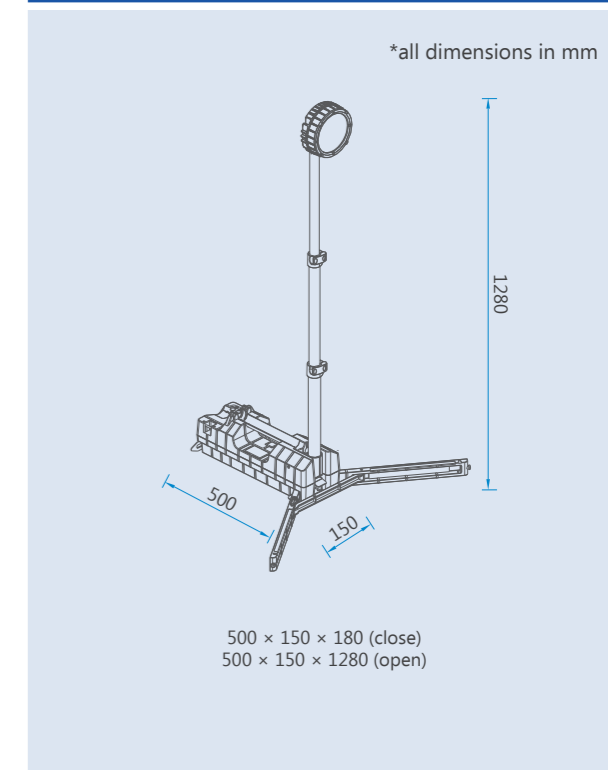
1. Light head
2. Signal light
3. Main light
4. Wrench group
5. Telescopic mast assembly
6. Battery case
7. Battery level indicator
8. Control panel
9. Lifting bar limit button
10. Foot connecting rod



TECHNICAL DATA

Certification	International approvals: ATEX, IECEX, CB, CCC, CNEX
	Coding: Ex d e ib mb IIC T6 Gb
Conformity to standards	IEC 60079 / IEC 60598
Material	Body material: Polycarbonate
	Diffuser: Polycarbonate
Light source	Wattage: 50 W
	Type: LED
	Luminous efficiency: 140 lm / W
	Warning light: Red / Blue
	Life: ≥ 100000 h
Rated voltage	Input: 100 V - 240 V AC 50 Hz / 60 Hz
	Output: 22 V DC
Battery	Type: Lithium battery
	Capacity: 10 Ah
	Life: 1000 cycles
	Charging time: < 6 h
	Duration: ≥ 16 h (spotlight) ≥ 10 h (flood light)
Degree of protection	IP66
Ambient temperature	-20 °C to +55 °C

DIMENSION DRAWINGS



SELECTION TABLE

Model	Type	Weight (kg)
FW6117/50/LED	Cool white	6.50

ACCESSORIES

Name	Picture	Ordering code	Weight (kg)
Charger-Chinese Plug		1303010187	0.40

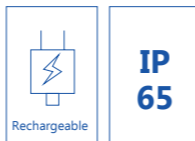
APPLICATIONS

Suitable for illumination of construction sites in power industry, on railway, fire fighting, oil & gas industry, mining, coal mines, etc.

SFW6121 MULTIFUNCTIONAL WORKLIGHT

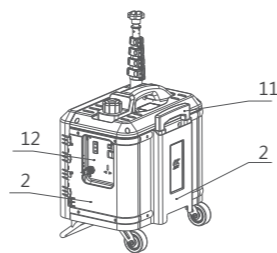
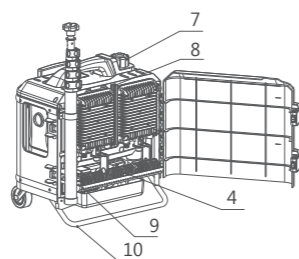
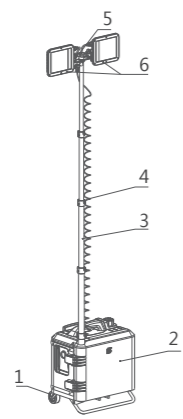


- Easy to carry due to low weight
- LED features long life and high brightness
- Excellent heat dissipation, water resistance and impact resistance
- Easy for maintenance



COMPONENTS

- 1.Wheel
- 2.Enclosure
- 3.Telescopic mast
- 4.Wire
- 5.Nut
- 6.Light fitting
- 7.Generating set
- 8.Bracket for light fitting
- 9.Bracket for wire
- 10.Rack
- 11.Pull handle
- 12.Control panel for generating set

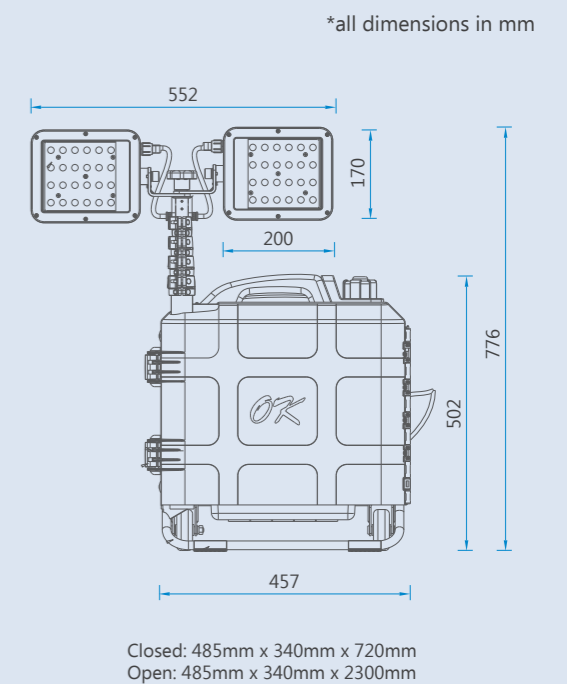


*all dimensions in mm

TECHNICAL DATA

Certification	CCC
International approvals	CCC
Conformity to standards	IEC 60598
Material	
Housing(generating set)	Polycarbonate
Housing(light fitting)	Die-casting aluminum
Light source	
Wattage	2 x 48 W
Type	LED
Luminous efficiency	140 lm / W
Life	≥ 100000 h
Telescopic mast	
Minimum height	720 mm
Max height	2300 mm
Generating set	
Model of generating set	IG770
Rated output voltage	230V AC
Rated output power	700 W
Fuel tank capacity	1.55L
Operating time	>5.5h (IG770 generating set after filled up)
Degree of protection	IP65(light fitting) IP54(generating set)
Ambient temperature	-20 °C to +55 °C

DIMENSION DRAWINGS



SELECTION TABLE

Model	Type	Weight (kg)
SFW6121/96/LED	IG770	23.0

ACCESSORIES

Name	Picture	Ordering code	Weight (kg)
Manual gasoline generator		1314010025	24.00
Digital generator		1314010016	14.00

APPLICATIONS

Suitable for illumination of shipyards, airplane repair works, mining areas, etc.



FW6325 LED WORKLIGHT



- LED features high luminous efficacy and long life
- Suitable for use in adverse environments
- Elegant design, small size and low weight
- Pendant mounting, easy to install

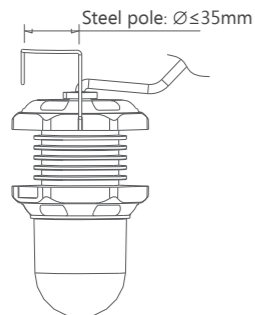
140
lm / W

IP
65

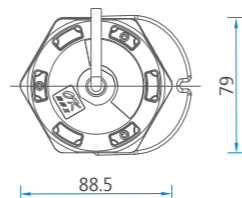
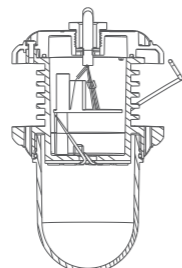


MOUNTING

*all dimensions in mm



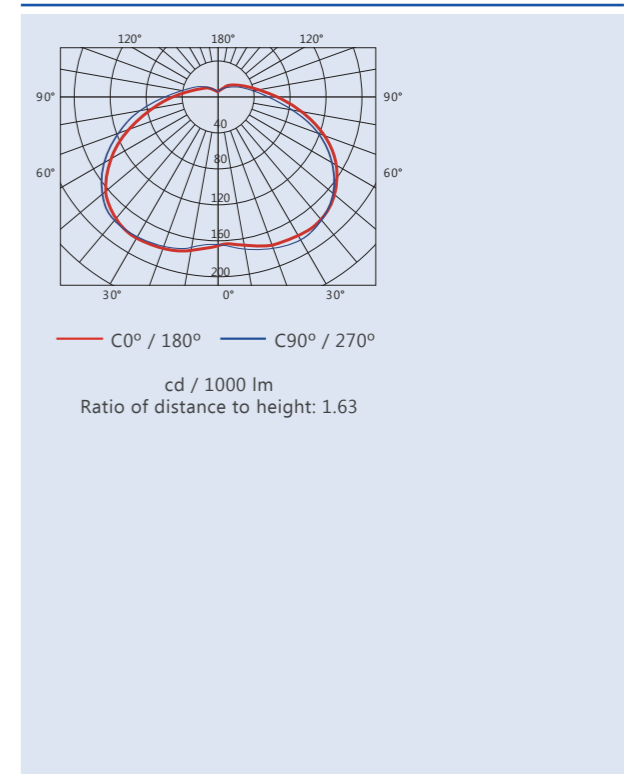
Pendant mount



TECHNICAL DATA

Certification	
International approvals	CCC
Conformity to standards	IEC60598
Material	
Body material	Die-casting aluminum
Diffuser	Polycarbonate
Light source	
Wattage	10 W
Type	LED
Luminous efficiency	140 lm / W
Life	100000 h
Rated voltage	36 V AC
Class of insulation	Class I
Cable entry	G3/4
Operating temperature	-20 °C to +55 °C
Degree of protection	IP 65
Corrosion-proof class	WF2

PHOTOMETRIC DATA



SELECTION TABLE

Model	Type	Weight (kg)
FW6325/10/LED	10 W	0.44

ACCESSORIES

Name	Picture	Ordering code	Weight (kg)
Driver 90V-200VAC		1311030301	0.05

APPLICATIONS

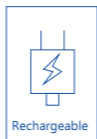
Suitable for illumination of repair works of cables, distribution boxes, high poles, etc.



FW6600 PORTABLE WORKLIGHT

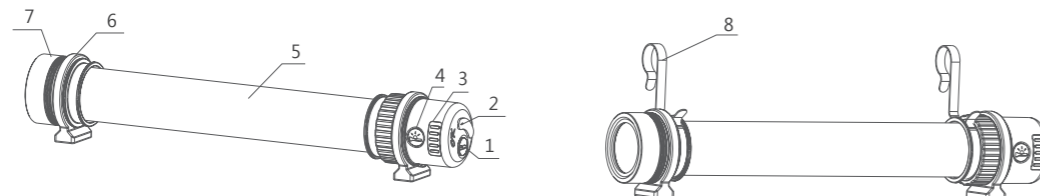


- Available for use as a flashlight, mobile worklight or fixed lighting
- Providing soft optical distributions while eliminating eye strain
- 3 hours charging time by fast-charging mode
- Indication of available operating time and low power indicator
- Compact and robust design



COMPONENTS

1. Broad beam button
2. Plug for charging port
3. Charging indicator
4. Narrow beam button
5. Cover
6. Magnetic ring
7. Light head
8. Hook

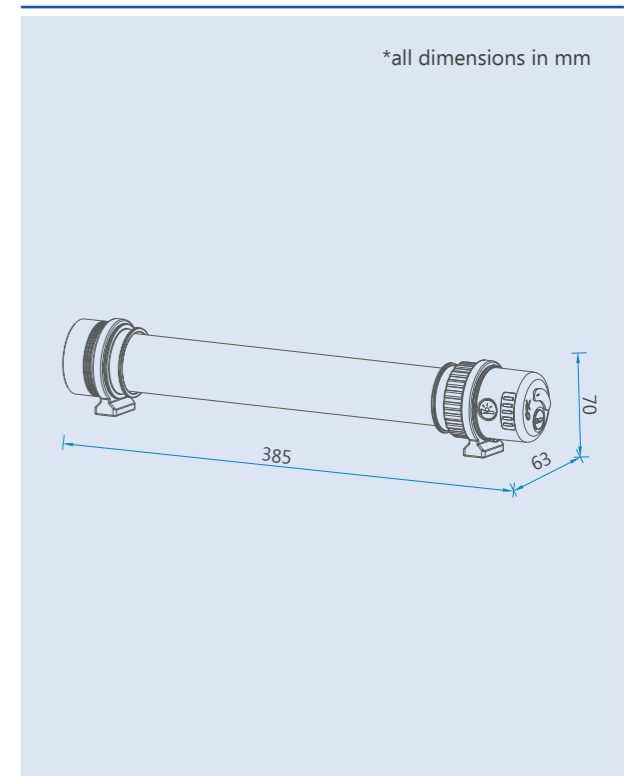


*all dimensions in mm

TECHNICAL DATA

Certification	CCC
International approvals	CCC
Conformity to standards	IEC 60598
Material	
Body material	Aluminum alloy, Polycarbonate
Diffuser	Polycarbonate
Light source	
Wattage	9 W(broad beam) 3 W(narrow beam)
Type	LED
Luminous efficiency	140 lm / W
Life	≥ 100000 h
Center ulluminance- (2m away from light source)	> 20 lx(broad beam, working light) > 30 lx(broad beam, spotlight) > 750 lx(narrow beam, working light) > 30 lx(narrow beam, spotlight)
Rated voltage	
Input	100 V - 240 V AC 50 Hz / 60 Hz
Output	7.4 V DC
Battery	
Type	Lithium battery
Capacity	5 Ah
Life	approx. 1000 cycles
Charging time	< 3h
Duration	> 5.5 h(broad beam, working light) > 3.5 h(broad beam, spotlight) > 35 h(narrow beam, working light) > 20 h(narrow beam, spotlight)
Degree of protection	IP65
Ambient temperature	-20 °C to +55 °C

DIMENSION DRAWINGS



SELECTION TABLE

Model	Type	Weight (kg)
FW6600/LED	Cool white	0.70

ACCESSORIES

Name	Picture	Ordering code	Weight (kg)
Charger-Chinese plug		1303010163	0.18



APPLICATIONS

- I. Suitable for hazardous location and underwater applications.
- II. Designed for portable lighting in power plants, oil and gas industry, petrochemical industry, mining sites, etc.

RJW7101/LT EXPLOSION-PROTECTED PORTABLE SEARCHLIGHT



- Rechargeable
- Robust light alloy enclosure
- Transparent cover: tempered glass
- Two modes: spotlight and working light
- Indication of available battery capacity
- Long distance of lighting



Zone
1

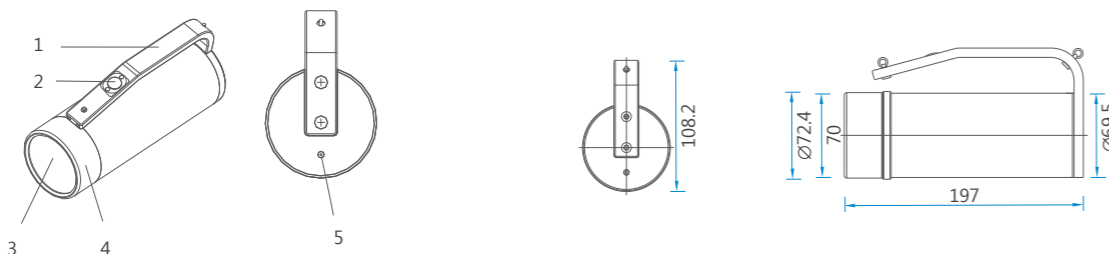
Zone
2

Rechargeable

IP
65

DIMENSION DRAWINGS

- 1. Handle
- 2. Switch
- 3. Lamp
- 4. Light head
- 5. Charging port

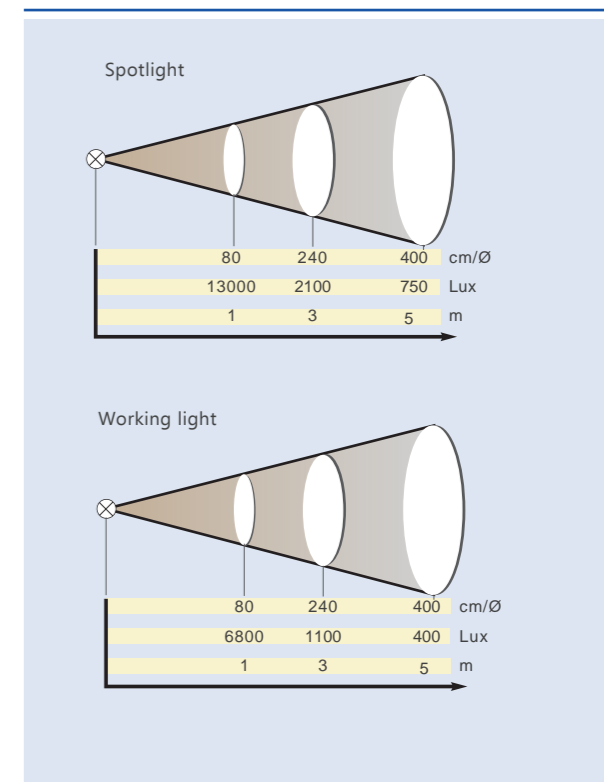


*all dimensions in mm

TECHNICAL DATA

Certification	International approvals: ATEX, CCC, CNEX
	Coding: Ex II 2 G Ex d ia IIC T6 Gb
Conformity to standards	IEC 60079 / IEC 60598
Material	
	Body material: Aluminum alloy
	Diffuser: Tempered glass
Light source	
	Wattage: 2 x 3 W
	Type: LED
	Luminous efficiency: 140 lm / W
	Current: 600 mA (spotlight)
	300 mA (working light)
	Life: ≥ 100000 h
Rated voltage	
	Input: 100 V - 240 V AC 50 Hz / 60 Hz
	Output: 11.1 V DC
Battery	
	Type: Lithium battery
	Capacity: 2.2 Ah
	Life: 500 cycles
	Charging time: 5 h
	Duration: ≥ 4.5 h (spotlight)
	≥ 10 h (working light)
Degree of protection	IP65
Ambient temperature	-20 °C to +55 °C

RANGE DIAGRAM



SELECTION TABLE

Model	Type	Weight (kg)
RJW7101/LT/6/LED/CW	Cool white	1.00
RJW7101/LT/6/LED/WW	Warm white	1.00

ACCESSORIES

Name	Picture	Ordering code	Weight (kg)
Charger - Chinese plug		3015704094	0.16
Charger - Europlug		3015704093	0.17
Charger - BS plug		3015704092	0.20

APPLICATIONS

- I. Suitable for illumination of firefighting scenes and outdoor rescue works.
- II. Suitable for illumination of patrol and search works in various industries due to its high brightness, fast charging mode, emergency safe use.



RJW7103 EXPLOSION-PROTECTED PORTABLE SEARCHLIGHT

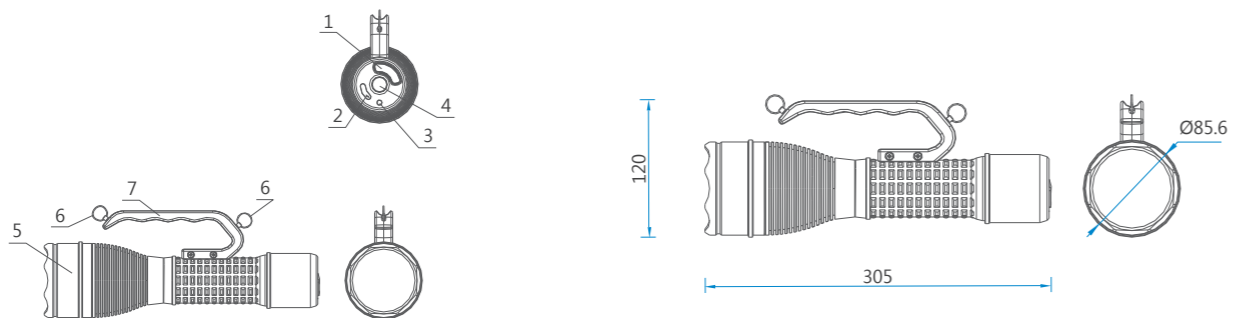


- Type of protection: flameproof enclosure, intrinsic safety
- LED light source providing high luminous efficacy, high brightness, excellent fog penetration
- Up to 1 hour of operating time after charging for 15 minutes by fast-charging mode
- Indication of available operating time and low power indicator
- Ingress protection to IP66/IP68
- Taillight offering extra safety of operation



DIMENSION DRAWINGS

- 1. Charging indicator
- 2. Charging port
- 3. Taillight
- 4. Switch
- 5. Light head
- 6. Carrying ring
- 7. Handle

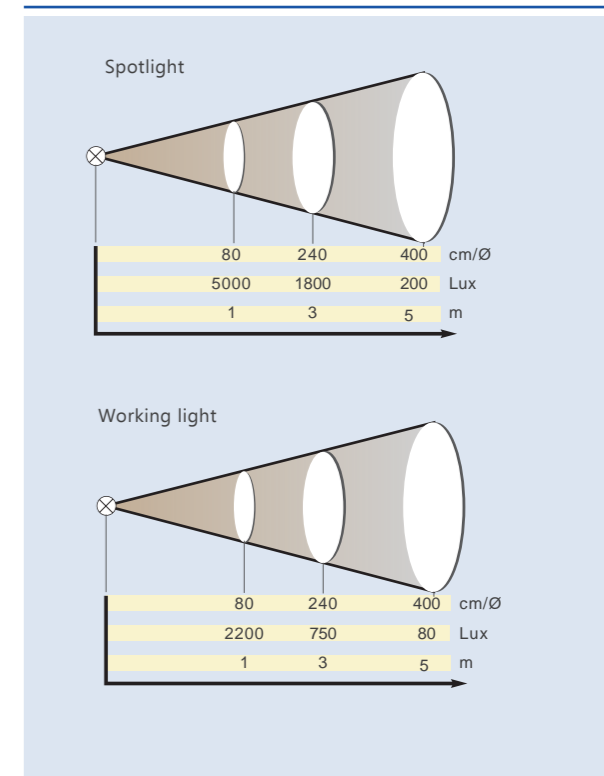


*all dimensions in mm

TECHNICAL DATA

Certification	International approvals: CCC, CNEX
	Coding: Ex d ia II C T6 Gb
Conformity to standards	IEC 60079 / IEC 60598
Material	
Body material	Aluminum alloy
Diffuser	Tempered glass
Light source	
Wattage	12 W
Type	LED
Luminous efficiency	140 lm / W
Current	270 mA(working light) 540 mA(spotlight)
Life	≥ 100000 h
Rated voltage	
Input	100 V - 240 V AC 50 Hz / 60 Hz
Output	22.2 V DC
Battery	
Type	Lithium battery
Capacity	2.5 Ah
Life	approx. 1000 cycles
Charging time	< 3 h(normal charging) < 2 h(fast charging)
Duration	≥ 5 h(spotlight) ≥ 10 h(working light)
Degree of protection	IP66 / IP68
Ambient temperature	-20 °C to +55 °C

RANGE DIAGRAM



SELECTION TABLE

Model	Type	Weight (kg)
RJW7103/12/LED	Cool white	1.40

ACCESSORIES

Name	Picture	Ordering code	Weight (kg)
Charger of lithium-ion battery		1303020162	0.32
Fireman's lighting charger		1303010174	0.32

APPLICATIONS

- I. Suitable for hazardous location and underwater applications.
- II. Designed for portable lighting in power plants, oil and gas industry, petrochemical industry, mining sites, etc.

JW7210

EXPLOSION-PROTECTED FLASHLIGHT

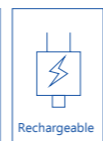


- Rechargeable
- Robust light alloy enclosure
- Transparent cover: tempered glass
- Suitable for 30m underwater use
- Easy to carry



Zone
1

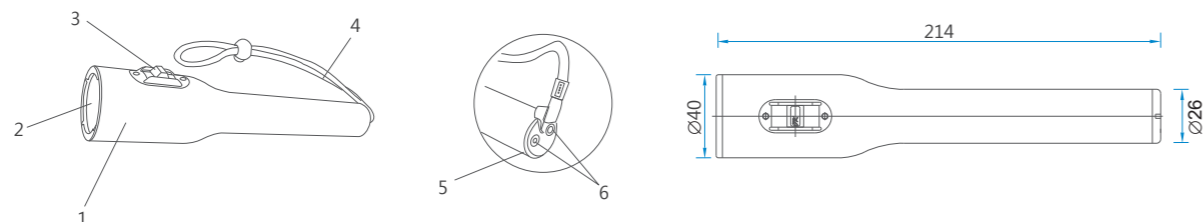
Zone
2



IP
68

DIMENSION DRAWINGS

1. Light head
2. Lamp
3. Switch
4. Strap
5. Back cover
6. Charging port

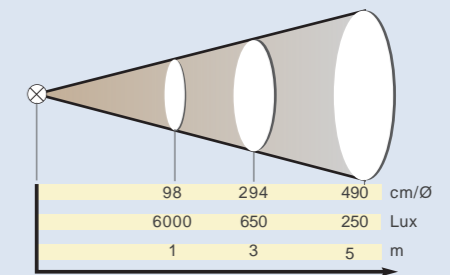


*all dimensions in mm

TECHNICAL DATA

Certification	ATEX, CCC, CNEX
International approvals	ATEX, CCC, CNEX
Coding	Ex II 2 G Ex d IIC T6 Gb
Conformity to standards	IEC 60079 / IEC 60598
Material	
Body material	Aluminum alloy
Diffuser	Tempered glass
Light source	
Wattage	3 W
Type	LED
Luminous efficiency	140 lm / W
Current	300 mA
Life	≥ 100000 h
Rated voltage	
Input	100 V - 240 V AC 50 Hz / 60 Hz
Output	7.4 V DC
Battery	
Type	Lithium battery
Capacity	2 Ah
Life	500 cycles
Charging time	4 h
Duration	≥ 9 h
Degree of protection	IP68(30m under water)
Ambient temperature	-20 °C to +55 °C

RANGE DIAGRAM



SELECTION TABLE

Model	Type	Weight (kg)
JW7210/3/LED	Cool white	0.30

ACCESSORIES

Name	Picture	Ordering code	Weight (kg)
Charger - Chinese plug		3012504065	0.14
Charger - Europlug		3012504064	0.15
Charger - BS plug		3012504063	0.18

APPLICATIONS

Suitable for illumination of firefighting scenes and outdoor rescue works.



JW7302

EXPLOSION-PROTECTED FLASHLIGHT

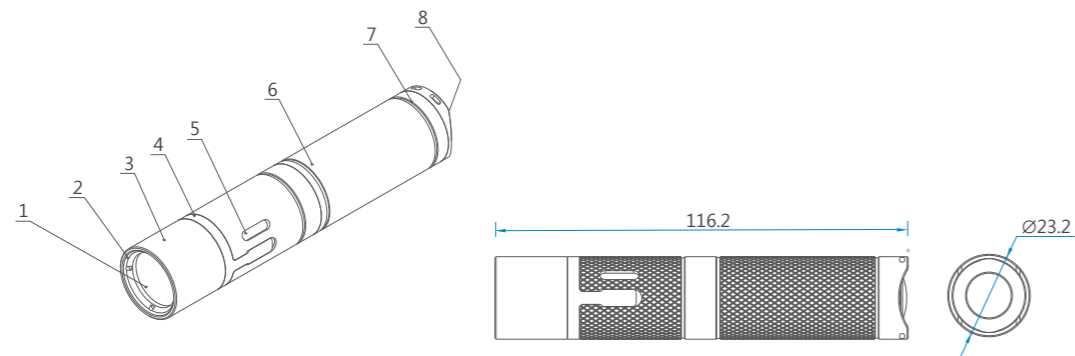


- Type of protection: intrinsic safety
- Compact and lightweight design
- Indication of available operating time and charging state
- Supplied with micro USB port for charging
- Robust housing offering superior impact resistance and high/low temperature resistance



DIMENSION DRAWINGS

1. Lens
2. Front ring
3. Light head sleeve
4. USB plug
5. Battery capacity indicator
6. Body sleeve
7. Back cover
8. Switch

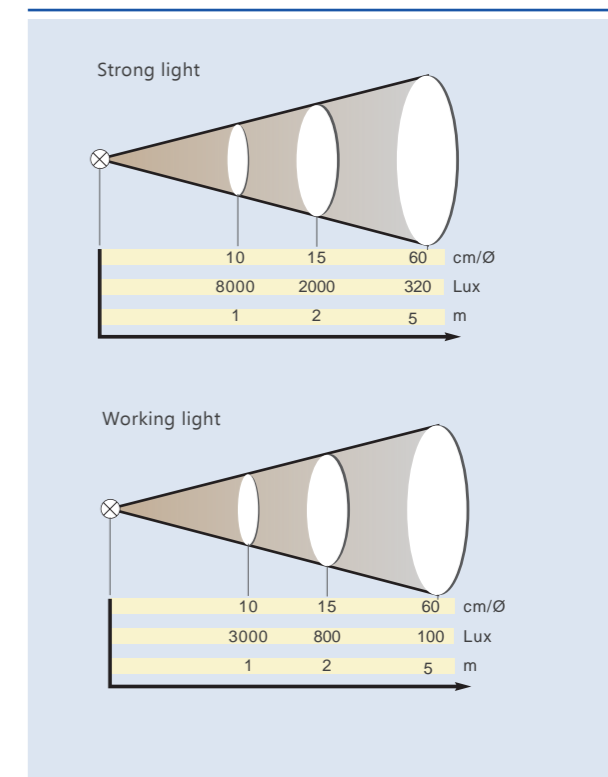


*all dimensions in mm

TECHNICAL DATA

Certification	International approvals: CB, CE, RoHS, CCC, CNEX
	Coding: Ex ib IIC T4 Gb
Conformity to standards	IEC 60079 / IEC 60598
Material	
Body material	Aluminum alloy
Diffuser	Tempered glass
Light source	
Wattage	3 W
Type	LED
Luminous efficiency	140 lm / W
Current	170 mA(working light) 400 mA(spotlight)
Life	≥ 100000 h
Rated voltage	
Input	100 V - 240 V AC 50 Hz / 60 Hz
Output	3.7 V DC
Battery	
Type	Lithium battery
Capacity	1900 mAh
Life	1000 cycles
Charging time	< 4 h
Duration	≥ 4 h(spotlight) ≥ 8 h(working light)
Degree of protection	IP66 / IP67
Ambient temperature	-20 °C to +55 °C

RANGE DIAGRAM



SELECTION TABLE

Model	Type	Weight (kg)
JW7302/3/LED	Cool white	0.10

ACCESSORIES

Name	Picture	Ordering code	Weight (kg)
Adapter		1303010166	0.10
Charger-Chinese Plug		1303010175	0.10

APPLICATIONS

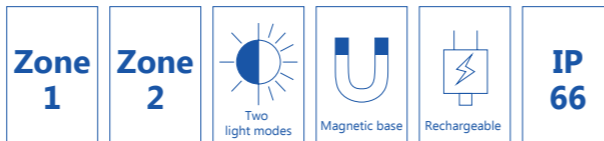
Suitable for use in hazardous locations, illumination of patrol and inspection works and other emergency works.



JW7633 EXPLOSION-PROTECTED MULTIFUNCTIONAL FLASHLIGHT

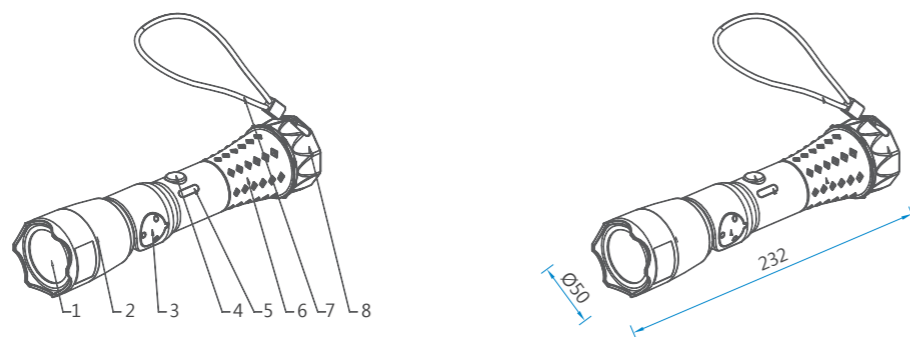


- Designed for Zone I applications
- Light head is available for adjustment within 0°- 90°
- Magnetic base
- Indication of available operating time and charging state
- Two light modes: working light and spotlight
- Light head can be used as a defensive tool.



DIMENSION DRAWINGS

1. Lens
2. Light head
3. Hinge
4. Button
5. Battery capacity indicator
6. Battery holder
7. Carrying strap
8. Back cover

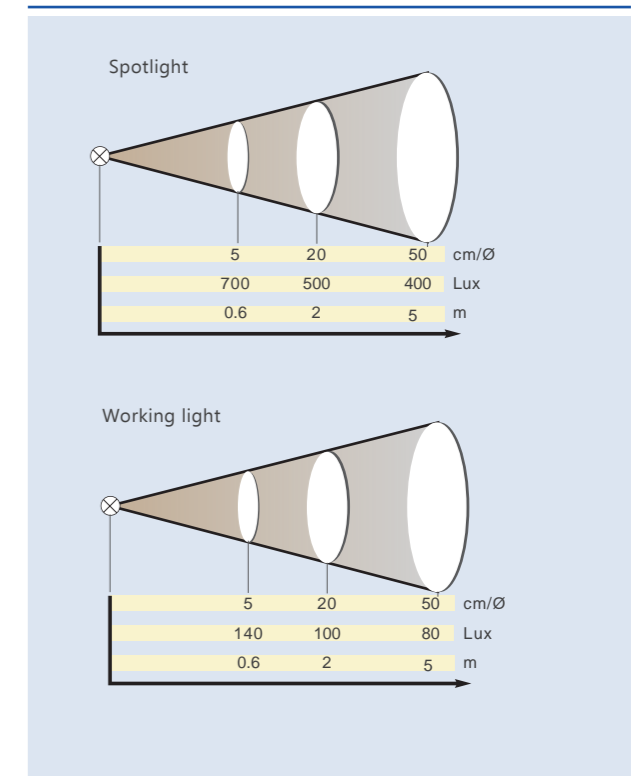


*all dimensions in mm

TECHNICAL DATA

Certification	International approvals CCC, CNEX
	Coding Ex ib IIC T4 Gb
Conformity to standards	IEC 60079 / IEC 60598
Material	
Body material	Aluminum alloy
Diffuser	Tempered glass
Light source	
Wattage	3 W
Type	LED
Luminous efficiency	140 lm / W
Current	850 mA (spotlight) 150 mA (working light)
Life	≥ 100000 h
Rated voltage	
Input	100 V - 240 V AC 50 Hz / 60 Hz
Output	3.7 V DC
Battery	
Type	Lithium battery
Capacity	2.6 Ah
Life	1000 cycles
Charging time	< 4 h
Duration	≥ 8 h (spotlight) ≥ 16 h (working light)
Degree of protection	IP66
Ambient temperature	-20 °C to +55 °C

RANGE DIAGRAM



SELECTION TABLE

Model	Type	Weight (kg)
JW7633/3/LED	Cool white	0.43

ACCESSORIES

Name	Picture	Ordering code	Weight (kg)
Adapter		1303010183	0.02

APPLICATIONS

- I. Ideal for illumination of outdoor operations in various industries.
- II. Suitable for illumination of construction works, repair works, emergency rescues, relief works, etc.



SFW6110B MOBILE LIGHTING TOWER



- 4x500W lamps providing high efficiency and luminance
- Maximum height up to 4.5m or 3.5m
- Radius of illumination area up to 30m-50m
- Fitted with a remote controller to control the tower within 30m
- Fitted with casters and rail wheels on the base
- Wind stability up to Scale 8

30m

Remote controller

Scale 8

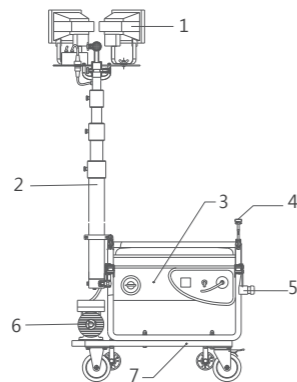
Scale 8 Wind stability

IP 65



COMPONENTS

1. Light fittings
2. Telescopic mast
3. Generating set
4. Bracket for telescopic mast
5. Bracket for light fittings
6. Electrical air pump
7. Rack

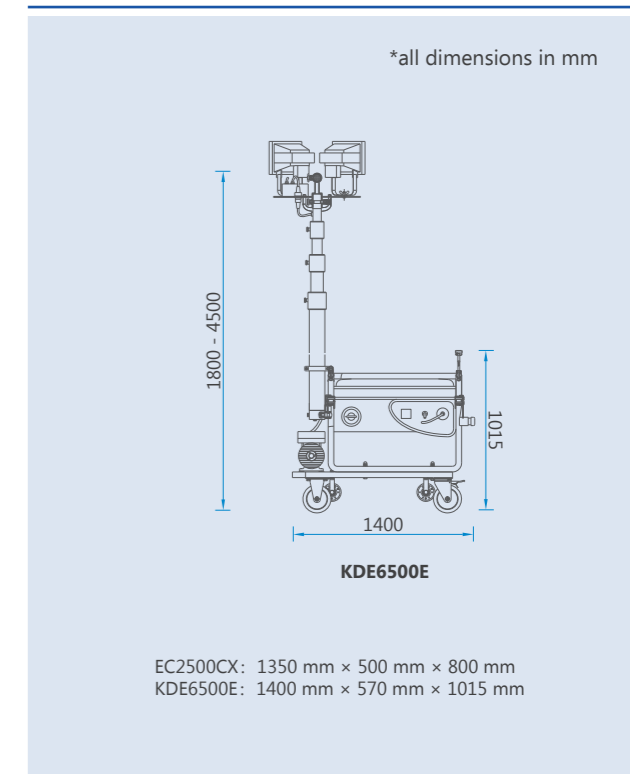


*all dimensions in mm

TECHNICAL DATA

Certification	International approvals CCC
Conformity to standards	IEC 60598
Material	Body material Aluminum alloy Diffuser Tempered glass
Rated voltage	220V / 230 V / 240 V AC
Light source	Operating voltage 220V / 230 V / 240 V AC Wattage 4 x 500 W Type Halogen Luminous flux 4 x 9500 lm Life 2000 h
Running time	Mains supply Continuous EC2500CX generating set 13 h(after filled up) KDE6500E generating set 12 h(after filled up)
Telescopic mast	Min. height 1800 mm Max. height 3500 mm / 4500 mm Lifting time 30 s
Generating set	Rated output voltage 220 V AC Rated output power 2000 W(EC2500CX) 4500 W(KDE6500E)
Rated capacity of fuel tank	15 L
Degree of protection	IP65
Ambient temperature	-20 °C to +55 °C
Weight	Light fittings 7.0 kg Telescopic mast 8.0 kg KD6500E generating set 95.0 kg

DIMENSION DRAWINGS



SELECTION TABLE

Model	Type	Weight (kg)
SFW6110B/2000/H	EC2500CX	60.0
SFW6110B/4500/H	KDE6500E	110.0

ACCESSORIES

Name	Picture	Ordering code	Weight (kg)
Generator		1314020001	95.00

APPLICATIONS

- I. Suitable for outdoor illumination of emergency rescues, relief works, flood controls, construction works, etc.
- II. Ideal for illumination of construction sites in power industry, on railway, fire fighting, oil & gas industry, mining, coal mines, etc.
- III. Ideal for large-area temporary illumination of airports, docks, stadiums, squares, roads, public works, etc.



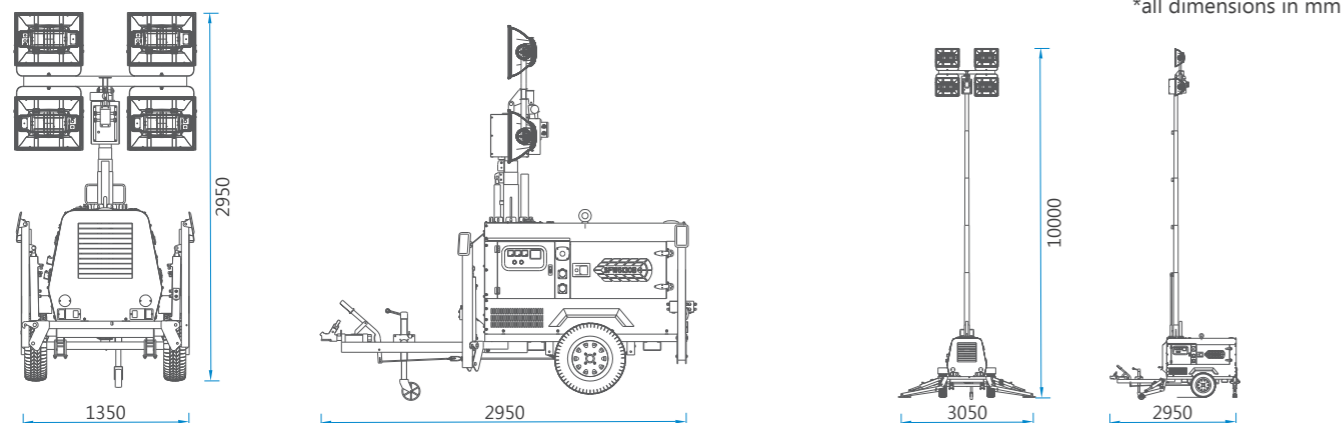
SFW6130B MOBILE LIGHTING TOWER



- High luminance, large illumination area
- Powerful, real savings, environmentally friendly
- 360° degree rotation, wide illumination angle
- Humanized design, easy to operate
- Safe, reliable, easy to transport

IP 65

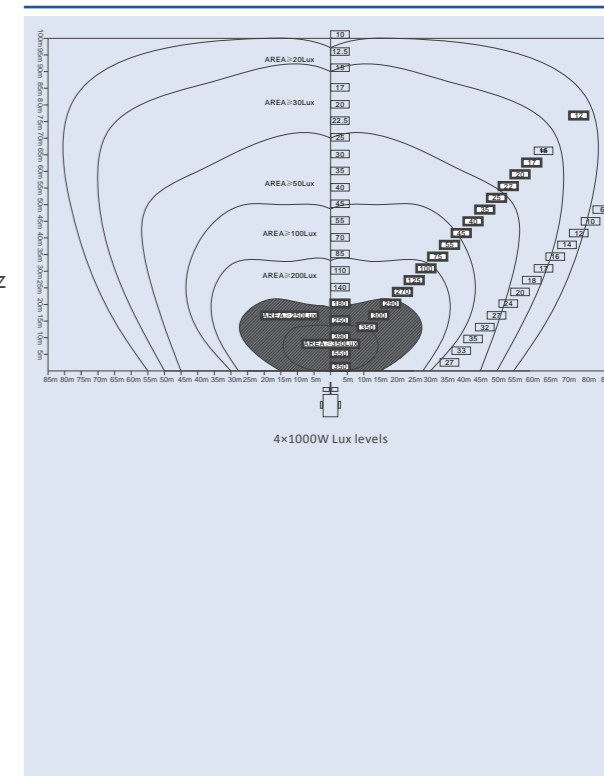
DIMENSION DRAWINGS



TECHNICAL DATA

Certification	International approvals	CCC
Conformity to standards		IEC 60598
Light fitting	Power	4 × 1000 W
	Luminous flux	4 × 110000 lm
	Voltage	220 V / 230 V / 240 V AC 50 Hz / 60 Hz
	Adjustable on vertical axis	0° - 90°
	Degree of protection	IP 65
Telescopic mast	Height(hydraulic)	10 m / 2.95 m
	Lifting time	approx. 45s
	Closing time	approx. 18s
	Horizontal rotation (by hand)	0° - 360°
Generating set	Model of Kubota generating set	D1105-BG
	Diesel fuel No.	0#
	Power	7.2KW(50Hz)
	Model of Stanford generating set	PI044F
	Fuel consumption	2L/h
	Fuel tank capacity	80L
	Running time	40h
	Voltage	12V
	Noise (7m)	≤70db
Lighting tower	Close dimension (LxWxH)	2950 mm × 1350 mm × 2950 mm
	Open dimension(LxWxH)	2950 mm × 3050 mm × 10000 mm
	Wind stability	Scale 8 (75km/h)
	Total weight	1000 kg
	Maximum towing speed	80 km/h

OPTICAL CHARACTERISTICS



SELECTION TABLE

Model	Type	Weight (kg)
SFW6130B/MH	/	1000

ACCESSORIES

Name	Picture	Ordering code	Weight (kg)
Lighthouse		1612021013	1000

APPLICATIONS

Designed for illumination of rescue works, repair works and construction sites.



SFW6131 MULTIFUNCTIONAL LIGHTING SYSTEM



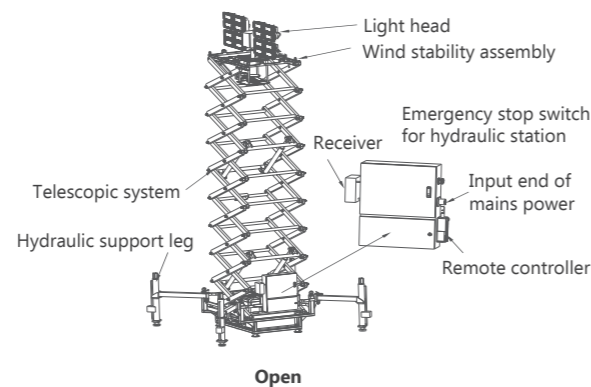
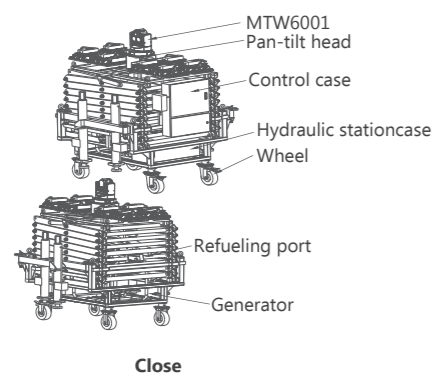
- Easy loading onto and unloading from trucks
- Fitted with wheels for easy ground transport
- Maximum height: 10m; horizontal rotation range: 0-358°; vertical rotation range: 0-135°
- Maximum illuminated distance: 220m
- Wind stability up to Scale 8
- Operating panel and remote control within 30m allowing for easy operation
- Video transmission module available for being ordered separately

140
lm / W

IP
65



COMPONENTS

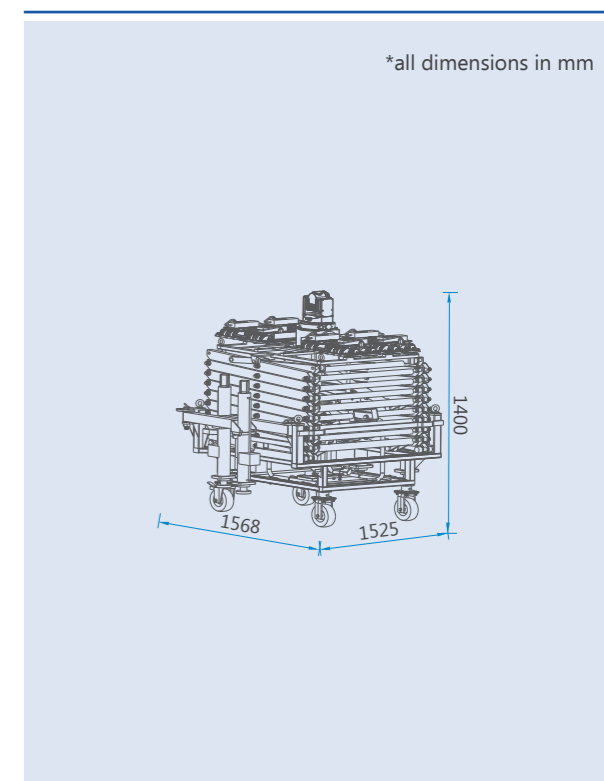


*all dimensions in mm

TECHNICAL DATA

Certification	International approvals CCC
Conformity to standards	IEC 60598
Material	Body material Aluminum alloy Diffuser Tempered glass
Light source	Wattage 4 × 550 W Type LED Luminous efficiency 140 lm / W Life ≥ 100000 h
Rotation angle of light head	Horizontal 0° - 358° Vertical 0° - 135°
Tank capacity	28 L
Running time	15 L
Telescopic system	Control method Electric control and remote control within 30m Lifting system hydraulic
Maximum height of support leg	Maximum height 10 m Minimum height 1.4 m
Maximum width	1.3 m
Wind stability	2.6 m
Degree of protection	up to Scale 8 IP65(light head) / IP54(generator)

DIMENSION DRAWINGS



SELECTION TABLE

Model	Type	Weight (kg)
SFW6131/2000/LED	Standard	750
SFW6131/2000CM/LED	With MTW6001	750

ACCESSORIES

Name	Picture	Ordering code	Weight (kg)
5KV gasoline generator		1314010036	45.00

APPLICATIONS

Suitable for large area illumination of hazardous locations in Zone 2, outdoor operations, construction sites and facilities, etc.



BFC8115 / BTC8115 EXPLOSION-PROTECTED LED LIGHT FITTING



- For use in hazardous locations
- LED light source featuring high luminous efficacy and long life
- Two optical distributions: narrow beam and broad beam
- Light alloy made enclosure
- High reliability for long time use
- Suitable for seat mounting, wall mounting and ceiling mounting

Zone
2

140
lm / W

IP
65

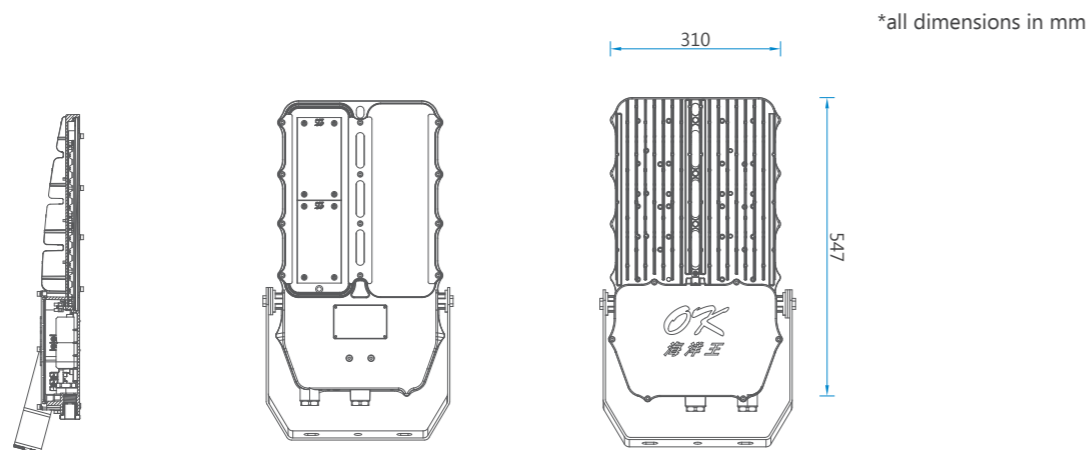
Seat
mounting

Wall
mount

Ceiling
mount



DIMENSION DRAWINGS

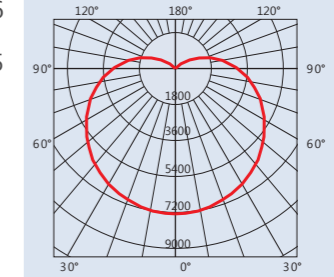


TECHNICAL DATA

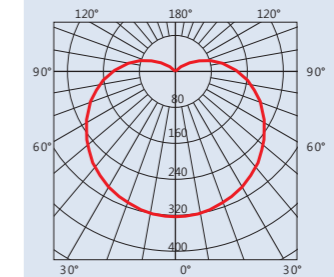
Certification	
International approvals	ATEX, IECEx, CCC, CNEX
Coding	Ex mb nA IIC T6 Gc, Ex tD A21 IP65 T6 Ex mb nA IIC T5 Gc, Ex tD A21 IP65 T5
Conformity to standards	IEC 60079 / IEC 60598
Material	
Body material	Aluminum alloy with epoxy powder coating
Diffuser	Tempered glass
Light source	
Wattage	70 W / 100 W / 150 W
Type	LED
Luminous efficiency	140 lm / W
Life	100000 h
Rated voltage	220 V - 240 V AC 50 Hz / 60 Hz
Class of insulation	Class I
Degree of protection	IP 65
Operating temperature	-20 °C to +55 °C
Cable entry	G3/4
Corrosion-proof class	WF2

PHOTOMETRIC DATA

BFC8115 70 W / 100 W / 150 W, BTC8115 100 W / 150 W
LED photometric data
Luminous intensity distribution cd / 1000 lm



Narrow beam
cd / 1000 lm
Ratio of distance to height: 0.29



Broad beam
cd / 1000 lm
Ratio of distance to height: 1.32

We can provide lighting design and data by professional lighting software based upon simulated site situation on request.

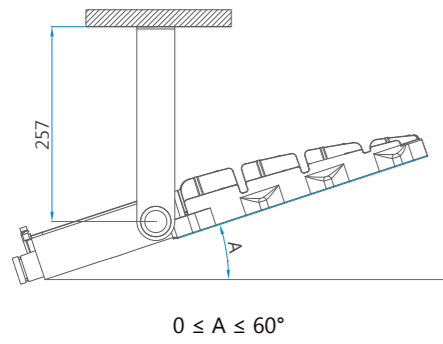
SELECTION TABLE

Model	Lamp power (W)	Lamp type	Operating current (A)	Color temperature (K)	Weight (kg)
BFC8115/70/LED	70	LED	0.7	6200 - 7000	9.2
BFC8115/100/LED	100	LED	0.7	6200 - 7000	9.5
BFC8115/150/LED	150	LED	0.7	6200 - 7000	9.8
BTC8115/100/LED	100	LED	0.7	6200 - 7000	9.5
BTC8115/150/LED	150	LED	0.7	6200 - 7000	9.8

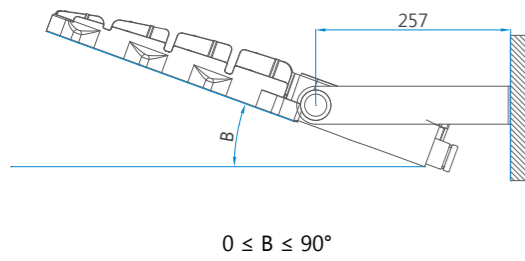
MOUNTING TYPE

*all dimensions in mm

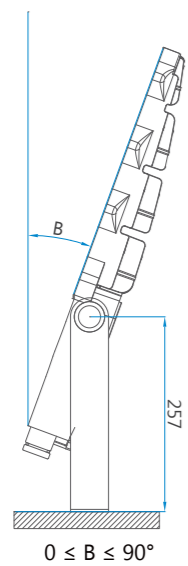
Ceiling mount



Wall mount



Seat mount



Accessories for ceiling and wall mount					
No.	Name	Spec.	Qty.	Remark	
1	Expansion bolt (with nut, flat washer and spring washer)		1	Provided by user	
2	Three-core cable	M12 × 40	Determined by use		
3	Hex socket screw	M10 × 50 full thread	2	Provided by manufacturer	
4	Hex socket screw	M6 × 18	8		
5	Standard spring washer	6	4		
6	Flat washer	6	4		
7	Serrated lock washer with external teeth	M6	2		
8	Gland nut	G3/4	1		
9	Sealing ring 1	Ø7 - Ø8	1		Accessories should be ordered separately.
	Sealing ring 2	Ø9 - Ø10	1		
	Sealing ring 3	Ø11 - Ø12	1		
	Sealing ring 4	Ø13 - Ø14	1		
10	Flat washer	12	2	Provided by manufacturer	
11	Hex cap bolt 1	M12 × 25	1		
12	Hex cap bolt 2	M12 × 32	1		
13	U bracket		1		
14	Cross-head screw	M4 × 8	6		
15	Setting dial		2		
16	Washer		2		
17	Standard spring washer	12	2		

SPARE PARTS

Name	Picture	Ordering code	Weight (kg)
Light source - 100 W		1311010274	0.05
Light source - 150 W		1311010275	0.05
LED driver - 100 W		3037701010	0.99
LED driver - 150 W		3037701009	0.65

APPLICATIONS

- I. Suitable for illumination of hazardous locations designated as Zone 2 where ignitable gases are present.
- II. Designed to illuminate roads in chemical and petrochemical plants, refineries and other process industries where ignitable gases are present.



BFC8115A EXPLOSION-PROTECTED LED FLOODLIGHT




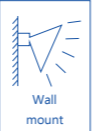
- Designed to use in Zone 2 and Zone 21
- LED light source providing high luminous efficacy and long life
- Optional diffuser available
- Multiple mounting options
- Superior vibration resistance
- Degree of protection up to IP65


Zone
2


140
lm / W

IP
65


Seat
mounting

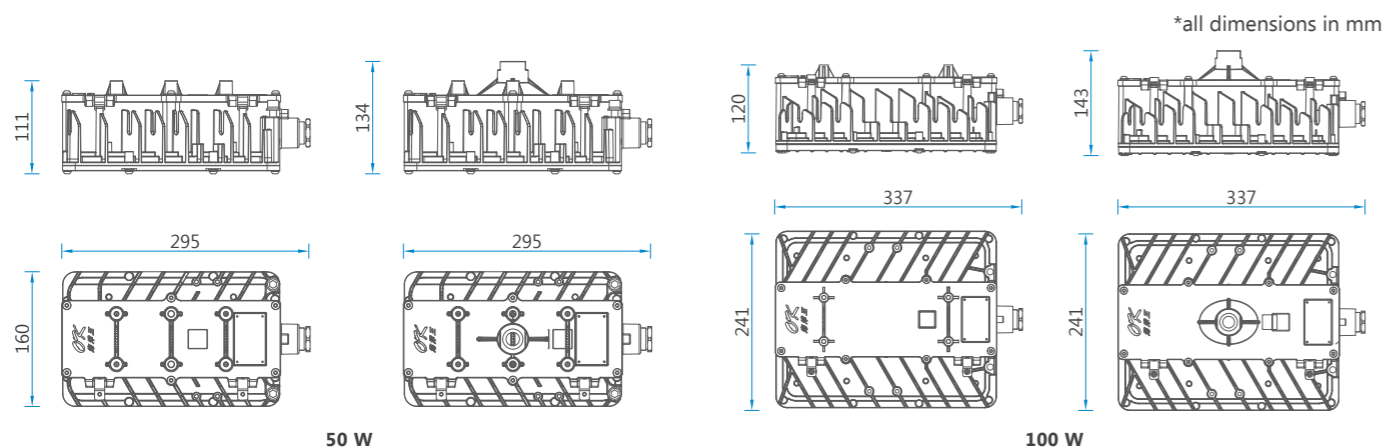

Wall
mount


Clamp
mount


Pendant
mounting



DIMENSION DRAWINGS

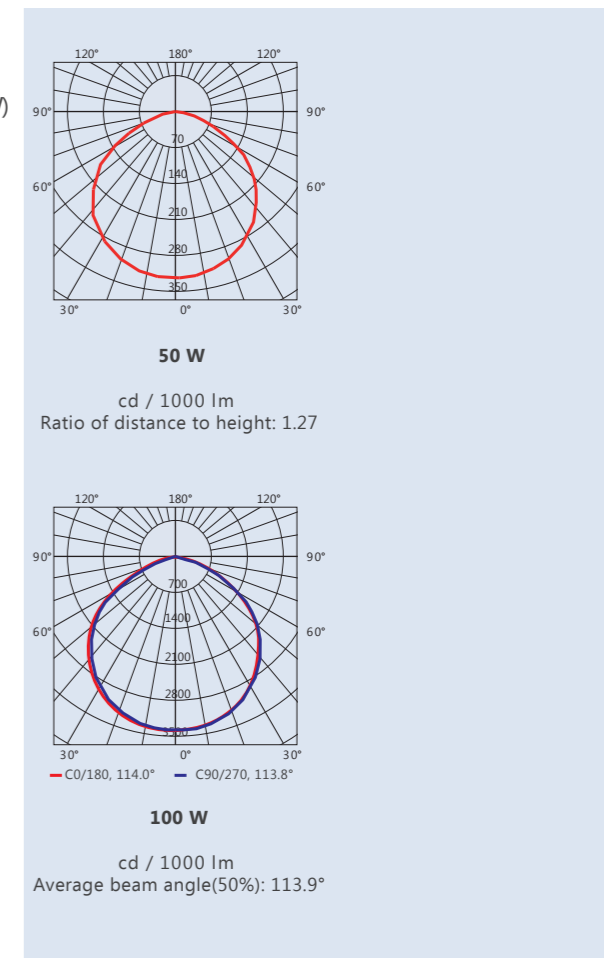


TECHNICAL DATA

Certification	International approvals: ATAX, IECEX, CU-TR, CB, CCC, CNEX
	Coding: Ex nR IIC T6 Gc / Ex tD A21 IP65 T80°(50W) Ex nR IIC T5 Gc / Ex tD A21 IP65 T95°(100W)
Conformity to standards	IEC 60079 / IEC 60598
Material	Body material: Aluminum alloy with epoxy powder coating
	Diffuser: Tempered glass
Light source	Wattage: 50 W / 100 W
	Type: LED
	Luminous efficiency: 140 lm / W
	Life: 100000 h
Rated voltage	220 V - 240 V AC 50 Hz / 60 Hz
Class of insulation	Class I
Degree of protection	IP 65
Operating temperature	-20 °C to +40 °C
Cable entry	G3/4
Corrosion-proof class	WF2

PHOTOMETRIC DATA

BFC8115A 50 W / 100 W
LED photometric data
Luminous intensity distribution cd / 1000 lm



We can provide lighting design and data by professional lighting software based upon simulated site situation on request.

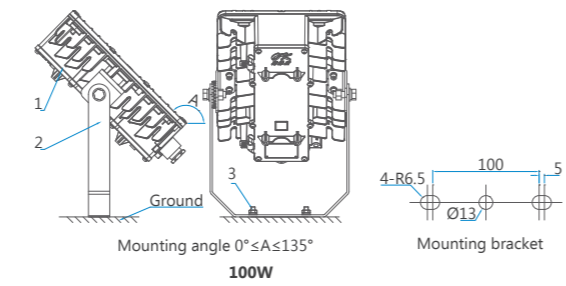
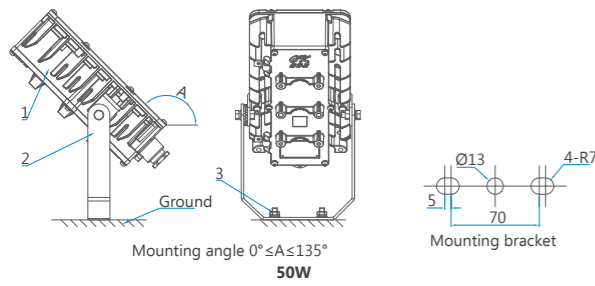
SELECTION TABLE

Model	Lamp power (W)	Lamp type	Operating current (A)	Color temperature (K)	Weight (kg)
BFC8115A/50/LED	50	LED	0.9	5700	3.5
BFC8115A/100/LED	100	LED	1.8	5700	7.0

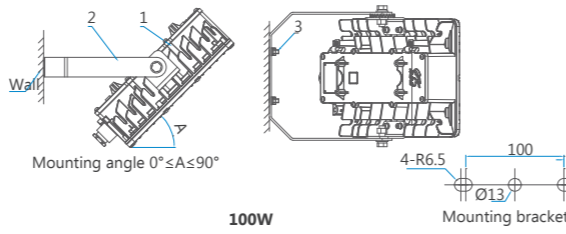
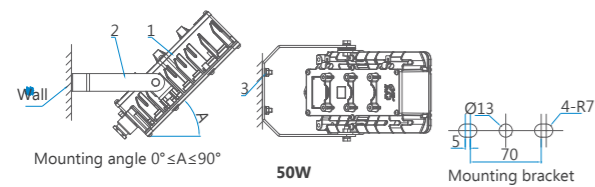
MOUNTING TYPE

*all dimensions in mm

Seat mount



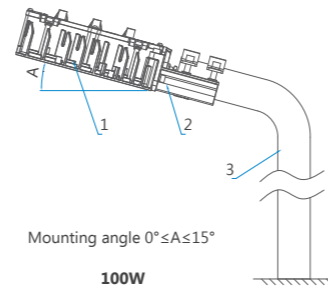
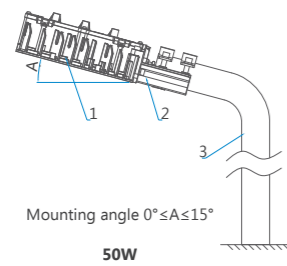
Wall mount



Accessories for seat mount and wall mount				
No.	Name	Spec.	Qty.	Remark
1	BFC8115A-50W Explosion-protected LED Floodlight	/	1	Provided by manufacturer
2	U-bracket assembly	/	1	Provided by manufacturer
3	Expansion bolt (with nut, flat washer and spring washer)	M12X60	2	Provided by user

Accessories for seat mount and wall mount				
No.	Name	Spec.	Qty.	Remark
1	BFC8115A-100W Explosion-protected LED Floodlight	/	1	Provided by manufacturer
2	U-bracket assembly	/	1	Provided by manufacturer
3	Expansion bolt (with nut, flat washer and spring washer)	M12X60	2	Provided by user

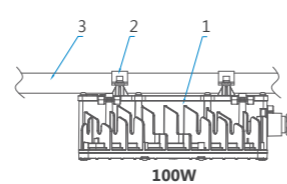
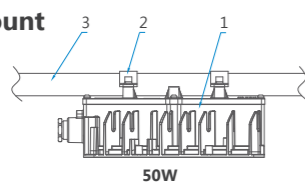
Pole mount



Accessories				
No.	Name	Spec.	Qty.	Remark
1	BFC8115A-50W Explosion-protected LED Floodlight	/	1	Provided by manufacturer
2	Pole mounting assembly	/	1	Provided by manufacturer
3	Pole	Ø30 - Ø60	1	Provided by user

Accessories				
No.	Name	Spec.	Qty.	Remark
1	BFC8115A-100W Explosion-protected LED Floodlight	/	1	Provided by manufacturer
2	Pole mounting assembly	/	1	Provided by manufacturer
3	Pole	Ø30 - Ø60	1	Provided by user

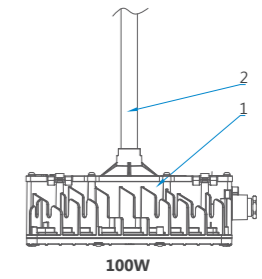
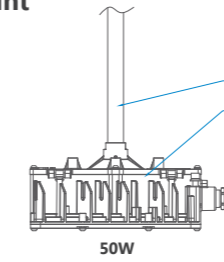
Clamp mount



Accessories				
No.	Name	Spec.	Qty.	Remark
1	BFC8115A-50W Explosion-protected LED Floodlight	/	1	Provided by manufacturer
2	Clamp assembly	/	1	Provided by manufacturer
3	Mounting pole	Ø35	1	Provided by user

Accessories				
No.	Name	Spec.	Qty.	Remark
1	BFC8115A-100W Explosion-protected LED Floodlight	/	1	Provided by manufacturer
2	Clamp assembly	/	1	Provided by manufacturer
3	Mounting pole	Ø35	1	Provided by user

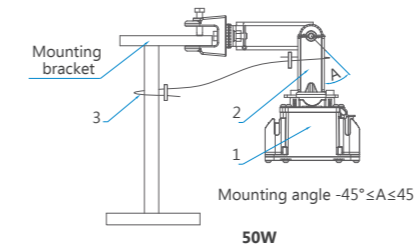
Pendant mount



Accessories				
No.	Name	Spec.	Qty.	Remark
1	BFC8115A-50W Explosion-protected LED Floodlight	/	1	Provided by manufacturer
2	Pendant	G3/4	1	Provided by user

Accessories				
No.	Name	Spec.	Qty.	Remark
1	BFC8115A-100W Explosion-protected LED Floodlight	/	1	Provided by manufacturer
2	Pendant	G3/4	1	Provided by user

Derrick mount



Accessories				
No.	Name	Spec.	Qty.	Remark
1	BFC8115A-50W Explosion-protected LED Floodlight	/	1	Provided by manufacturer
2	Derrick mounting assembly	/	1	Provided by manufacturer
3	Fall protection wire rope	/	1	Provided by user

SPARE PARTS

Name	Picture	Ordering code	Weight (kg)
Non-dimming optical drive- 50W		3045001008	0.44
Adjustable light - 50 W		3045001035	0.50
Low voltage driver - 50 W		3045001033	0.46
Non-dimming optical drive - 100W		3045001039	0.66
Adjustable light - 100 W		3045001041	0.66

APPLICATIONS

I. BFC8116 Explosion-protected LED Light Fitting is designed for large area lighting in industrial outdoor hazardous locations, drilling sites, etc.
 II. BTC8116 Explosion-protected LED Light Fitting is suitable for use in outdoor locations of multipurpose stations, gas gathering stations and portable buildings on oilfields, as well as for illumination of facilities.



BFC8116 / BTC8116 EXPLOSION-PROTECTED LED LIGHT FITTING



200 W

400 W

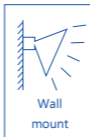


- LED light source featuring high luminous efficacy and long life
- Two optical distributions: narrow beam and broad beam; available in warm white and cool white light sources
- Degree of protection: IP 66
- Suitable for seat mounting and wall mounting

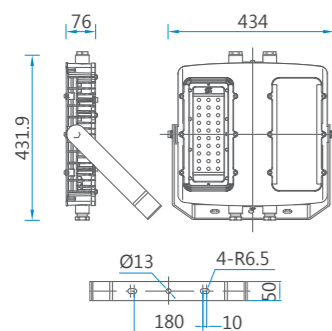
Zone 2

140 lm / W

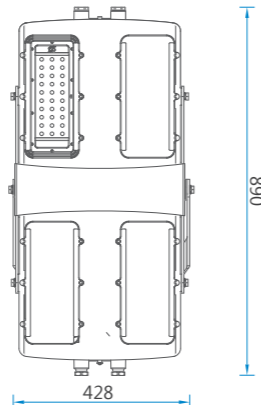
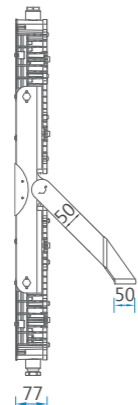
IP 66



DIMENSION DRAWINGS



200 W



400 W

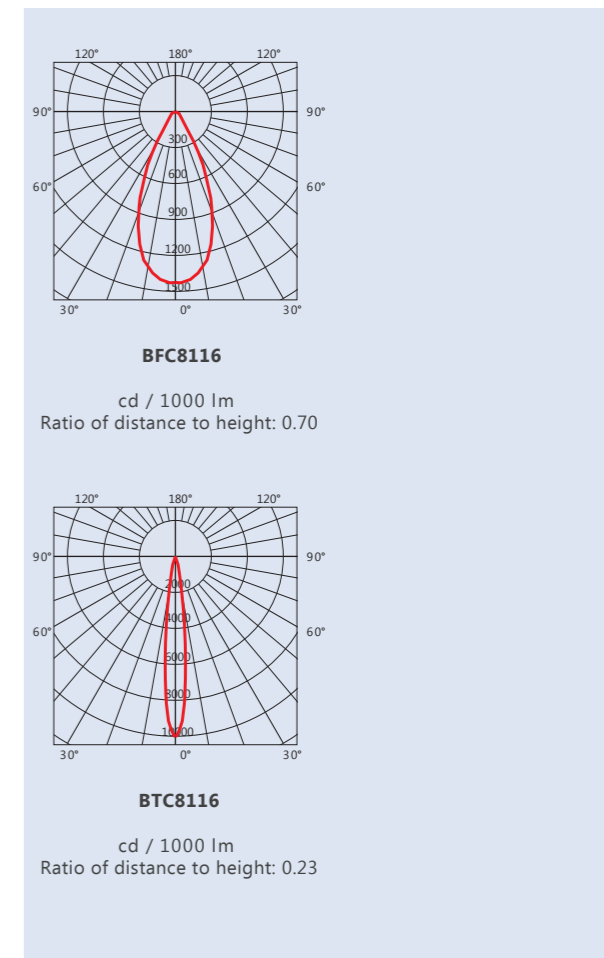
*all dimensions in mm

TECHNICAL DATA

Certification	
International approvals	ATEX, IECEx, CU-TR, CB, CCC, CNEX
Coding	Ex nR mb IIC T3 Gc
	Ex tD A21 IP66 T195 °C
Conformity to standards	IEC 60079 / IEC 60598
Material	
Body material	Aluminum alloy with epoxy powder coating
Diffuser	Tempered glass
Light source	
Wattage	200 W, 400 W
Type	LED
Luminous efficiency	140 lm / W
Life	100000 h
Rated voltage	220 V - 240 V AC 50 Hz / 60 Hz
Class of insulation	Class I
Degree of protection	IP 66
Operating temperature	-20 °C to +55 °C
Cable entry	G3/4
Corrosion-proof class	WF2

PHOTOMETRIC DATA

BFC8116 200 W / 400 W, BTC8116 200 W / 400 W
 LED photometric data
 Luminous intensity distribution cd / 1000 lm



We can provide lighting design and data by professional lighting software based upon simulated site situation on request.

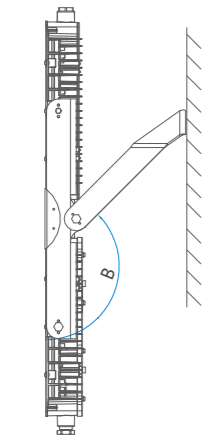
SELECTION TABLE

Model	Lamp power (W)	Lamp type	Operating current (A)	Color temperature (K)	Weight (kg)
BFC8116/200/LED	200	LED	1.0	2700 - 3300 (warm white)	11.0
BFC8116/200/LED	200	LED	1.0	5000 - 6000 (cool white)	11.0
BTC8116/400/LED	2 × 200	LED	1.0	2700 - 3300 (warm white)	26.0
BTC8116/400/LED	2 × 200	LED	1.0	5000 - 6000 (cool white)	26.0

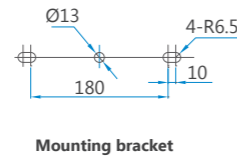
MOUNTING TYPE

Wall mount

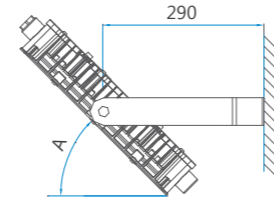
*all dimensions in mm



105° ≤ B ≤ 165°
400 W



Mounting bracket

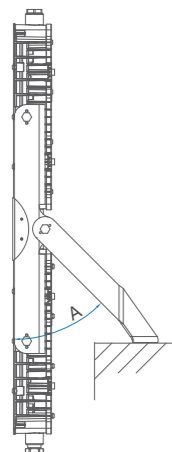


0° ≤ A ≤ 360°

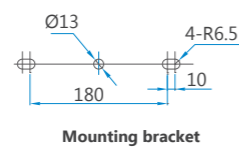
200 W

Accessories				
No.	Name	Spec.	Qty.	Remark
1	Expansion bolt (with nut, flat washer and spring washer)	M12 × 80	3	Provided by user
2	Three-core cable	Ø8 - Ø14	Determined by user	Provided by manufacturer
3	Sealing ring 1	Ø9 - Ø10	1	
4	Sealing ring 2	Ø11 - Ø12	1	
5	Sealing ring 3	Ø13 - Ø14	1	

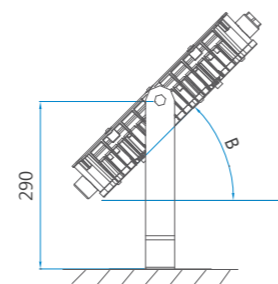
Seat mount



30° ≤ A ≤ 120°
400 W



Mounting bracket



0° ≤ B ≤ 360°

200 W

Accessories				
No.	Name	Spec.	Qty.	Remark
1	Expansion bolt (with nut, flat washer and spring washer)	M12 × 80	3	Provided by user
2	Three-core cable	Ø8 - Ø14	Determined by user	Provided by manufacturer
3	Sealing ring 1	Ø9 - Ø10	1	
4	Sealing ring 2	Ø11 - Ø12	1	
5	Sealing ring 3	Ø13 - Ø14	1	

SPARE PARTS

Name	Picture	Ordering code	Weight (kg)
Light source - 200 W (cool white)		1311010335	0.07
Light source - 200 W (warm white)		1311010336	0.06
LED driver - 200 W		1305030048	0.11

APPLICATIONS

I. Suitable for illumination of hazardous locations in various industries.



BFC(BFE)8126 LED EXPLOSION-PROTECTED (EMERGENCY) FLOODLIGHT



- Optimum design of electrical system ensures 85% electrical efficiency and 0.98 power factor.
- 3rd generation LED light source
- Vacuum coating reflector, 99.99% reflectivity
- Driver isolated from the lamp in a separate compartment, thus resulting in a longer service life, as the heat from the lamp is not direct.
- Painted U.S. marine grade aluminum alloy housing, corrosion resistance

Zone
1

Zone
2

140
lm / W

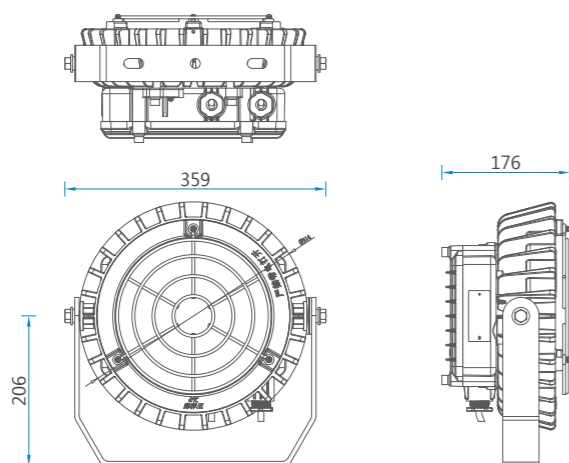
IP
66


Pendant
mount


Wall
mount



DIMENSION DRAWINGS

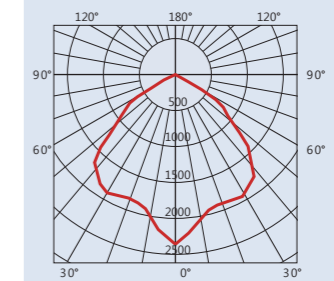


TECHNICAL DATA

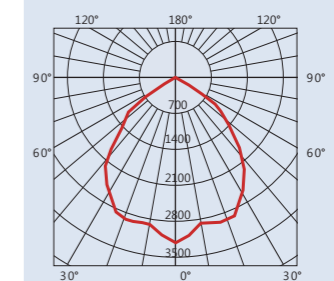
Certification	International approvals: ATEX, CU-TR, CCC, CNEX
	Coding: Ex d e mb II C T6 Gb
Conformity to standards	IEC 60079 / IEC 60598
Material	Body material: Aluminum alloy with epoxy powder coating
	Diffuser: Tempered glass
Light source	Wattage: 70 W, 100 W
	Type: LED
	Luminous efficiency: 140 lm / W
	Life: 100000 h
Rated voltage	220 V - 240 V AC 50 Hz
	110 V AC 60 Hz
Emergency power	Capacity: 1.5 Ah
	Watts: 12 W
	Charging time: 10 h
	Luminous flux: ≥ 1000 lm
	Duration: ≥ 60 min
Class of insulation	Class I
Degree of protection	IP 66
Operating temperature	-20 °C to +55 °C
Cable entry	G3/4
Corrosion-proof class	WF2

PHOTOMETRIC DATA

BFC8126 70 W / 100 W, BFE8126 70 W
LED photometric data
Luminous intensity distribution cd / 1000 lm



70 W
cd / 1000 lm
Ratio of distance to height: 1.20



100 W
cd / 1000 lm
Ratio of distance to height: 1.10

We can provide lighting design and data by professional lighting software based upon simulated site situation on request.

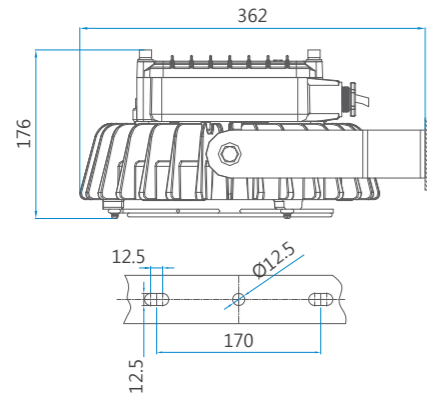
SELECTION TABLE

Model	Lamp power (W)	Lamp type	Operating current (A)	Color temperature (K)	Weight (kg)
BFC8126/70/LED	70	LED	0.7	6200 - 7000	10.5
BFC8126/100/LED	100	LED	0.7	6200 - 7000	10.5
BFE8126/70/LED	70	LED	0.7	6200 - 7000	11.0

MOUNTING TYPE

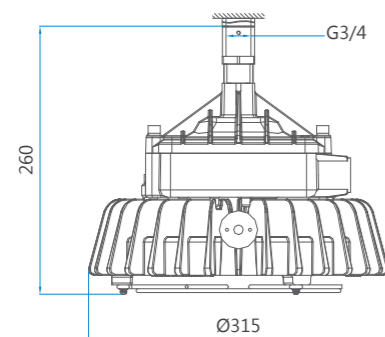
Wall mount

*all dimensions in mm



Accessories				
No.	Name	Spec.	Qty.	Remark
1	Steel plug	030101-05-04	1	Provided by manufacturer
2	Sealing ring	030602-21-Ex	1	
3	Washer	050703-22	2	
4	Gland nut	G3 / 4	2	
5	Filling 1	Ø14	2	
6	Filling 2	Ø12	2	
7	Filling 3	Ø10	2	

Pendant mount



Accessories				
No.	Name	Spec.	Qty.	Remark
1	Steel pipe	G3 / 4	1	Provided by manufacturer
2	Set screw	M4 × 60	2	
3	Pendant mounting adapter	G3 / 4	1	
4	Filling 1	Ø14	1	
5	Filling 2	Ø12	1	
6	Filling 3	Ø10	1	
7	Washer	Ø14	1	

SPARE PARTS

Name	Picture	Ordering code	Weight (kg)
Emergency drive - BFE8126 - 70 W		1333020019	0.64
Drive - BFC8126 70 W		1333050017	0.64
Drive - BFC8126 100 W		1333030018	0.64

APPLICATIONS

Suitable for flood-lighting of hazardous locations in Zone 2, such as offshore platforms, oil fields, drilling sites, refinery plants and chemical plants.



BFC(BFE)8411 EXPLOSION-PROTECTED (EMERGENCY) LED FLOODLIGHT

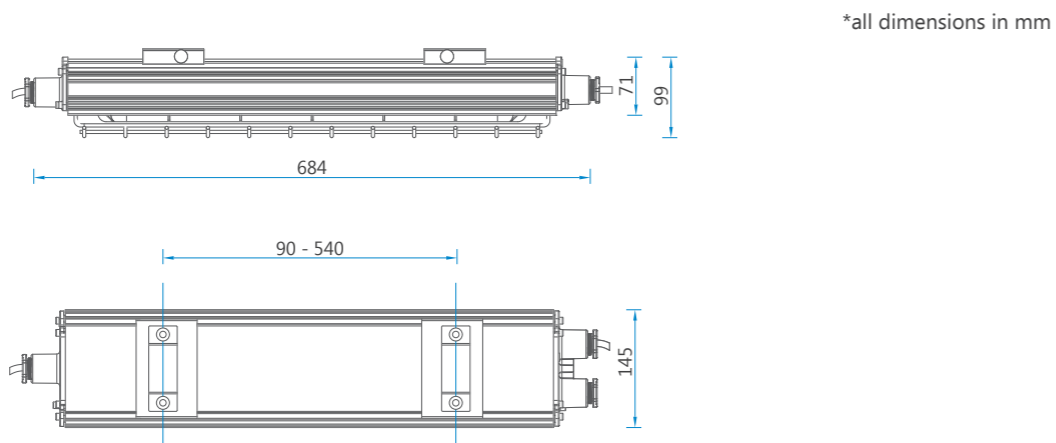


- Alloy made enclosure
- Degree of protection: IP 67
- High reliability for long time use
- Suitable for ceiling mounting, derrick mounting, wall mounting, pendant mounting and clamp mounting
- Duration of emergency version: 60 minutes



Zone 2	140 lm / W	60 Min Duration of emergency	IP 67				
---------------	----------------------	--	--------------	--	--	--	--

DIMENSION DRAWINGS

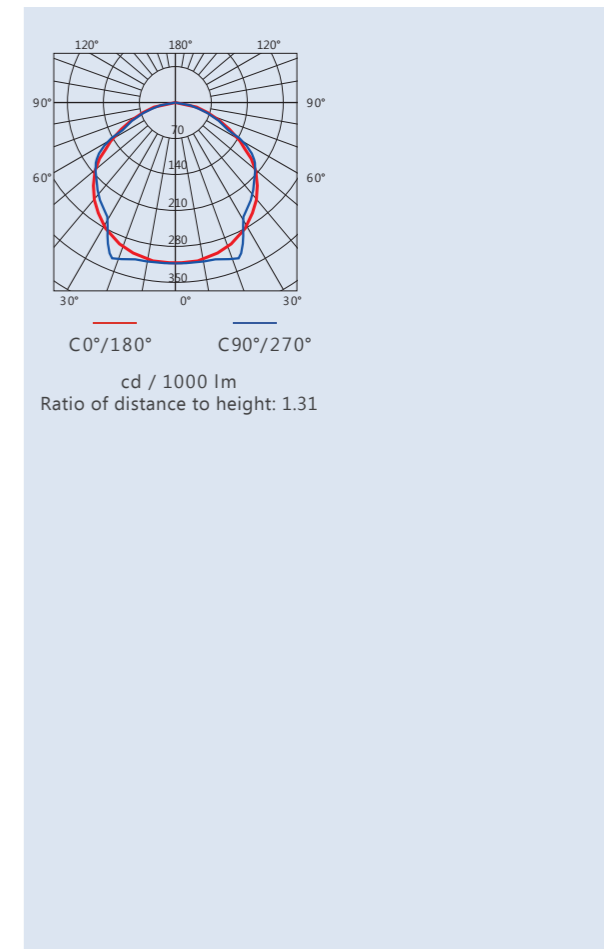


TECHNICAL DATA

Certification	International approvals: ATEX, IECEX, CB, CCC, CNEX
	Coding: Ex ec mb IIC T4 Gc
Conformity to standards	IEC 60079 / IEC 60598
Material	Body material: Aluminum alloy with epoxy powder coating
	Diffuser: Polycarbonate
Light source	Wattage: 50 W
	Type: LED
	Luminous efficiency: 140 lm / W
	Life: 100000 h
Rated voltage	220 V - 240 V AC 50 Hz / 60 Hz
	110 V AC 50 Hz / 60 Hz
Class of insulation	Class I
Degree of protection	IP 67
Operating temperature	-40 °C to +55 °C
Cable entry	G3/4
Corrosion-proof class	WF2
Emergency	Battery voltage: 12 V DC
	Battery capacity: 1.2 Ah
	Emergency power: >5 W
	Duration: >60 min

PHOTOMETRIC DATA

BFC8411 / BFE8411 50 W
LED photometric data
Luminous intensity distribution cd / 1000 lm



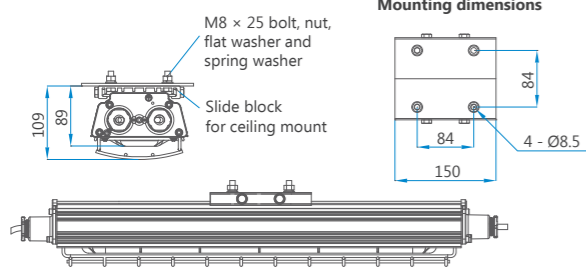
We can provide lighting design and data by professional lighting software based upon simulated site situation on request.

SELECTION TABLE

Model	Lamp power (W)	Lamp type	Operating current (A)	Color temperature (K)	Weight (kg)
BFC8411/50/LED	50	LED	0.7	5000 - 7100	5.8
BFE8411/50/LED	50	LED	0.7	5000 - 7100	6.6

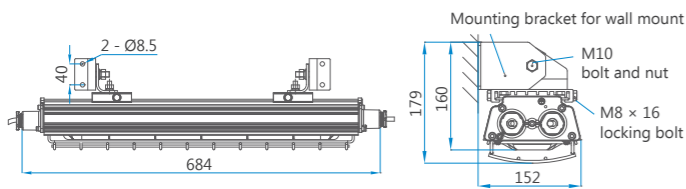
MOUNTING TYPE

Ceiling mount



Accessories				
No.	Name	Spec.	Qty.	Remark
1	Three-core cable	Ø8 - Ø14	Determined by user	Provided by user
2	Ceiling mounting assembly		1	Provided by manufacturer
3	Sealing ring 1		2	
4	Sealing ring 2	Ø9 - Ø10	2	
5	Sealing ring 3	Ø11 - Ø12	2	
6	Sealing ring 4	Ø13 - Ø14	2	
7	Washer		2	
8	Gland nut		3	
9	Wire guard assembly		1	
10	Fall prevention chain assembly		1	
11	Explosion-protected cable gland assembly (2 pcs)		1	
12	Explosion-protected cable gland assembly (1 pcs)		1	

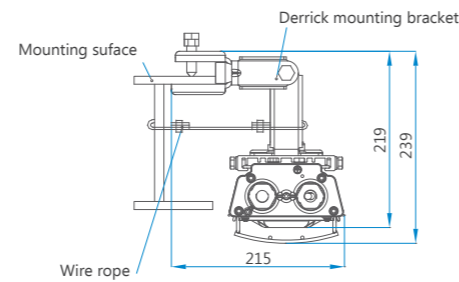
Wall mount



Accessories				
No.	Name	Spec.	Qty.	Remark
1	Expansion bolt (with nut, flat washer and spring washer)	M8	4	Provided by user
2	Three-core cable	Ø8 - Ø14	Determined by user	Provided by manufacturer
3	Wall mounting assembly		2	
4	Sealing ring 1		2	
5	Sealing ring 2	Ø9 - Ø10	2	
6	Sealing ring 3	Ø11 - Ø12	2	
7	Sealing ring 4	Ø13 - Ø14	2	
8	Washer		2	
9	Gland nut		3	
10	Wire guard assembly		1	Accessories should be ordered separately.
11	Fall prevention chain assembly		1	
12	Explosion-protected cable gland assembly (2 pcs)		1	
13	Explosion-protected cable gland assembly (1 pcs)		1	

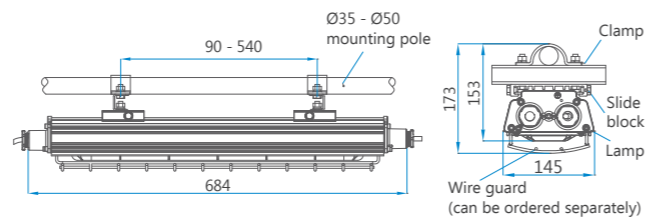
Derrick mount

*all dimensions in mm



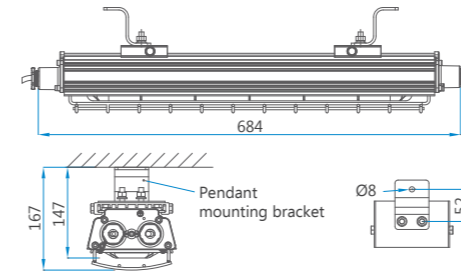
Accessories				
No.	Name	Spec.	Qty.	Remark
1	Three-core cable	Ø8 - Ø14	Determined by user	Provided by user
2	Derrick mounting assembly		2	Provided by manufacturer
3	Sealing ring 1		2	
4	Sealing ring 2	Ø9 - Ø10	2	
5	Sealing ring 3	Ø11 - Ø12	2	
6	Sealing ring 4	Ø13 - Ø14	2	
7	Washer		2	
8	Gland nut		3	
9	Wire guard assembly		1	
10	Fall prevention chain assembly		1	
11	Explosion-protected cable gland assembly (2 pcs)		1	
12	Explosion-protected cable gland assembly (1 pcs)		1	

Clamp mount



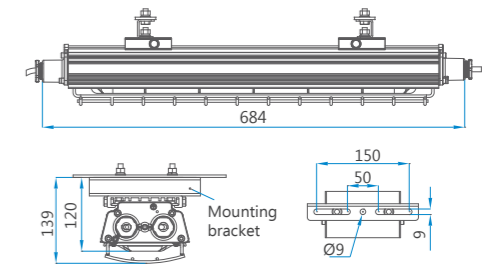
Accessories				
No.	Name	Spec.	Qty.	Remark
1	Mounting pole	Ø35 - Ø50	1	Provided by user
2	Three-core cable	Ø8 - Ø14	Determined by user	Provided by manufacturer
3	Clamp mounting assembly		2	
4	Sealing ring 1		2	
5	Sealing ring 2	Ø9 - Ø10	2	
6	Sealing ring 3	Ø11 - Ø12	2	
7	Sealing ring 4	Ø13 - Ø14	2	
8	Washer		2	
9	Gland nut		3	
10	Wire guard assembly		1	Accessories should be ordered separately.
11	Fall prevention chain assembly		1	
12	Explosion-protected cable gland assembly (2 pcs)		1	
13	Explosion-protected cable gland assembly (1 pcs)		1	

Pendant mount



Accessories				
No.	Name	Spec.	Qty.	Remark
1	Expansion bolt (with nut, flat washer and spring washer)	M8	2	Provided by user
2	Three-core cable	Ø8 - Ø14	Determined by user	Provided by manufacturer
3	Pendant mounting assembly		2	
4	Sealing ring 1		2	
5	Sealing ring 2	Ø9 - Ø10	2	
6	Sealing ring 3	Ø11 - Ø12	2	
7	Sealing ring 4	Ø13 - Ø14	2	
8	Washer		2	
9	Gland nut		3	
10	Wire guard assembly		1	Accessories should be ordered separately.
11	Fall prevention chain assembly		1	
12	Explosion-protected cable gland assembly (2 pcs)		1	
13	Explosion-protected cable gland assembly (1 pcs)		1	

Ceiling mount (with mounting bracket)



Accessories				
No.	Name	Spec.	Qty.	Remark
1	Expansion bolt (with nut, flat washer and spring washer)	M8	4	Provided by user
2	Three-core cable	Ø8 - Ø14	Determined by user	Provided by manufacturer
3	Ceiling mounting (with mounting bracket) assembly		2	
4	Sealing ring 1		2	
5	Sealing ring 2	Ø9 - Ø10	2	
6	Sealing ring 3	Ø11 - Ø12	2	
7	Sealing ring 4	Ø13 - Ø14	2	
8	Washer		2	
9	Gland nut		3	
10	Wire guard assembly		1	Accessories should be ordered separately.
11	Fall prevention chain assembly		1	
12	Explosion-protected cable gland assembly (2 pcs)		1	
13	Explosion-protected cable gland assembly (1 pcs)		1	

SPARE PARTS

Name	Picture	Ordering code	Weight (kg)
Light source		1311010278	0.13
LED driver - 50 W		1333010024	0.43
Emergency light source		1311010279	0.13
Emergency LED driver - 50 W		1333010025	0.70
Battery		1304010112	0.40

APPLICATIONS

Suitable for illuminating roads in hazardous locations of all industrial areas, construction sites, etc.



BLC8615

LED EXPLOSION-PROTECTED ROAD LIGHT FITTING



- Designed for Zone II applications
- LED light source providing high luminous efficacy and long service life
- Light alloy made enclosure and tempered glass cover
- Easy to carry out installation and maintenance works



Zone
2

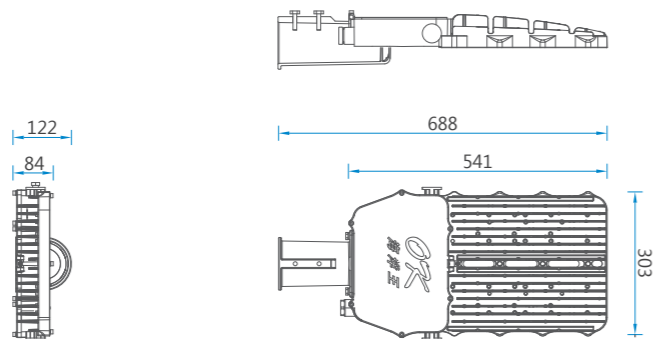
140
lm / W

IP
65

Pole
mount

DIMENSION DRAWINGS

*all dimensions in mm

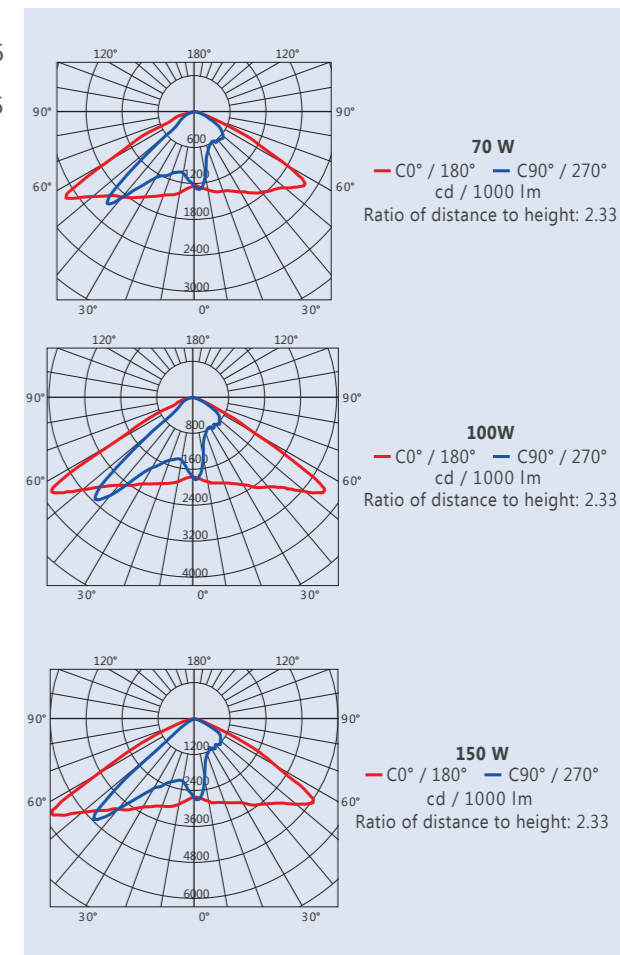


TECHNICAL DATA

Certification	
International approvals	CCC, CNEX
Coding	Ex mb nA IIC T6 Gc, Ex tD A21 IP65 T6 Ex mb nA IIC T5 Gc, Ex tD A21 IP65 T5
Conformity to standards	IEC 60079 / IEC 60598
Material	
Body material	Aluminum alloy with epoxy powder coating
Diffuser	Tempered glass
Light source	
Wattage	70 W / 100 W / 150 W
Type	LED
Luminous efficiency	140 lm / W
Life	100000 h
Rated voltage	220 V - 240 V AC 50 Hz / 60 Hz
Class of insulation	Class I
Degree of protection	IP 65
Operating temperature	-20 °C to +55 °C
Cable entry	G3/4
Corrosion-proof class	WF2

PHOTOMETRIC DATA

BLC8615 70 W / 100 W / 150 W
LED photometric data
Luminous intensity distribution cd / 1000 lm



We can provide lighting design and data by professional lighting software based upon simulated site situation on request.

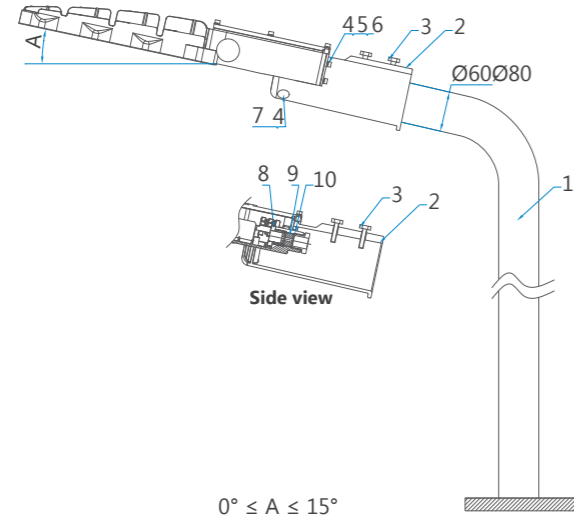
SELECTION TABLE

Model	Lamp power (W)	Lamp type	Operating current (A)	Color temperature (K)	Weight (kg)
BLC8615/70/LED	70	LED	0.3	5000 - 7000	8.8
BLC8615/100/LED	100	LED	0.5	5000 - 7000	9.2
BLC8615/150/LED	150	LED	0.7	5000 - 7000	9.4

MOUNTING TYPE

Pole mount

*all dimensions in mm



Accessories				
No.	Name	Spec.	Qty.	Remark
1	Pole	Ø60 - Ø80	1	Provided by user
2	Mounting pole	Ø60 - Ø80	1	Provided by manufacturer
3	Screw(with spring washer)	M10 × 50	2	
4	Screw(with spring washer)	M6 × 18	8	
5	Standard spring washer	6	4	
6	Flat washer	6	4	
7	External serrated lock washer	M6	2	
8	Gland nut	G 3/4	1	
9	Sealing ring 1	Ø7 - Ø8	1	Accessories should be ordered separately.
	Sealing ring 2	Ø9 - Ø10	1	
	Sealing ring 3	Ø11 - Ø12	1	
	Sealing ring 4	Ø13 - Ø14	1	
10	Washer		2	Provided by manufacturer

SPARE PARTS

Name	Picture	Ordering code	Weight (kg)
Drive - 70 W / 150 W		1333050017	0.64
Drive - 100 W		1333030018	1.06

APPLICATIONS

Suitable for illumination of oil refining and chemical facility platforms, boiler platforms, cable tunnels and other hazardous locations.



BPC8762 EXPLOSION-PROTECTED LED PENDANT LIGHT FITTING



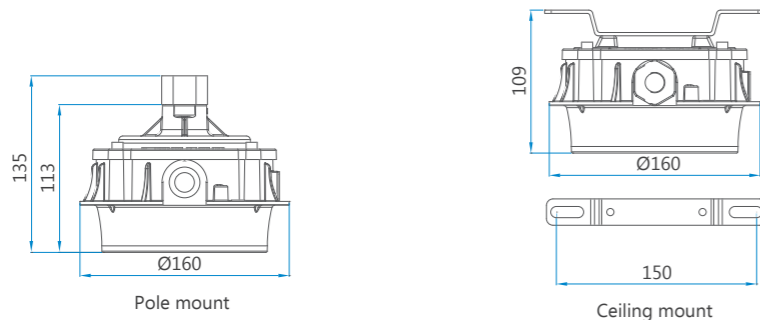
- LED light source providing high luminous efficacy and long life
- Soft and uniform light distributions
- Efficiency of luminaire: Over 86%
- Explosion group: IIC
- Degree of protection up to IP66
- Small size and low eight allowing for pole mounting and ceiling mounting



Zone 1	Zone 2	140 lm / W	IP 66		
---------------	---------------	----------------------	--------------	--	--

DIMENSION DRAWINGS

*all dimensions in mm

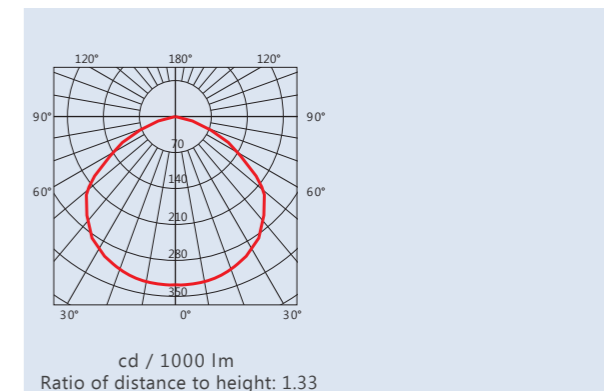


TECHNICAL DATA

Certification	
International approvals	CCC, CNEX
Coding	Ex d e mb II C T6 Gb Ex tD A21 IP66 T80 °C
Conformity to standards	IEC 60079 / IEC 60598
Material	
Body material	Aluminum alloy with epoxy powder coating
Diffuser	Tempered glass
Light source	
Wattage	5 W, 10 W, 15 W
Type	LED
Luminous efficiency	140 lm / W
Life	100000 h
Rated voltage	220 V - 240 V AC 50 Hz / 60 Hz
Class of insulation	Class I
Degree of protection	IP 66
Operating temperature	-20 °C to +40 °C
Cable entry	G3/4
Corrosion-proof class	WF2
Driver brand	OKTECH
Country original	China

PHOTOMETRIC DATA

BPC8762 5 W / 10 W / 15 W
LED photometric data
Luminous intensity distribution cd / 1000 lm



We can provide lighting design and data by professional lighting software based upon simulated site situation on request.

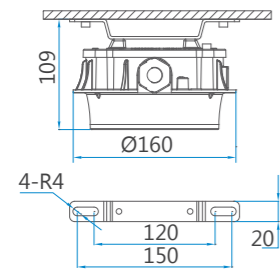
SELECTION TABLE

Model	Lamp power (W)	Lamp type	Operating current (A)	Color temperature (K)	Weight (kg)
BPC8762/5/LED	5	LED	0.15	5500 - 6500	1.6
BPC8762/10/LED	10	LED	0.15	5500 - 6500	1.6
BPC8762/15/LED	15	LED	0.15	5500 - 6500	1.6

MOUNTING TYPE

Ceiling mount

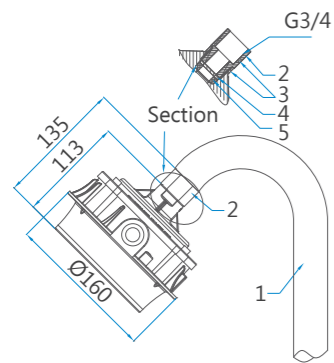
*all dimensions in mm



Mounting bracket

Accessories				
No.	Name	Spec.	Qty.	Remark
1	Gland nut	G3/4	1	Provided by manufacturer Choose an appropriate sealing ring
2	Sealing ring	Ø8 - Ø14	1	
3	Washer		1	

Pole mount



Accessories				
No.	Name	Spec.	Qty.	Remark
1	Pole	G3/4	1	Provided by user
2	Pole mounting adapter	G3/4	1	Provided by manufacturer Choose an appropriate sealing ring
3	Slotted set screws with flat head	M4 × 6	2	
4	Washer		1	
5	Sealing ring	Ø8 - Ø14	1	

SPARE PARTS

Name	Picture	Ordering code	Weight (kg)
LED driver - 5 W		1333020036	0.20
LED driver - 10 W		1333020037	0.22
LED driver - 15 W		1333010038	0.20

APPLICATIONS

Suitable for illumination of oil refining and chemical facility platforms, corridors and other hazardous locations.



BPC8766 EXPLOSION-PROTECTED LED PENDANT LIGHT FITTING



- Explosion group: IIC
- Degree of protection: IP 65
- Optical distributions: round type
- Anti-glare transparent cover
- Suitable for pole mounting and ceiling mounting

Zone
1

Zone
2

140
lm / W


Anti-glare

IP
65

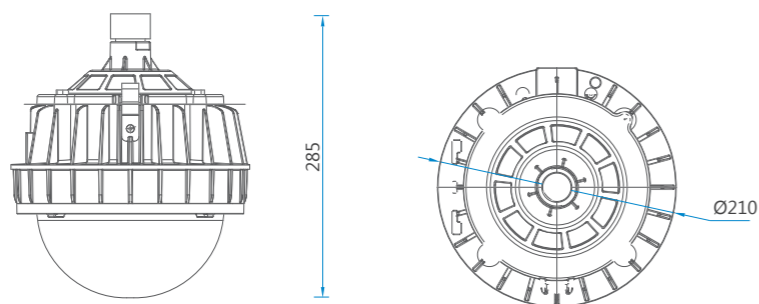

Pole
mount


Ceiling
mount



DIMENSION DRAWINGS

*all dimensions in mm

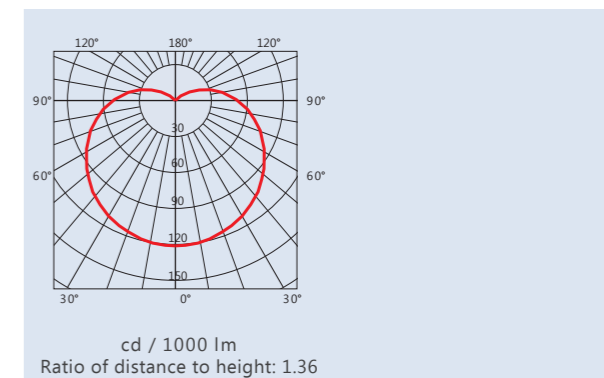


TECHNICAL DATA

Certification	
International approvals	ATEX, IECEX, CB, CCC, CNEX
Coding	Ex d e mb IIC T5/T6 Gb, Ex tD A21 IP65 T95°C/T80°C
Conformity to standards	
	IEC 60079 / IEC 60598
Material	
Body material	Aluminum alloy with epoxy powder coating
Diffuser	Polycarbonate
Light source	
Wattage	30 W, 50 W
Type	LED
Luminous efficiency	140 lm / W
Life	≥ 50000 h
Rated voltage	
	220 V - 240 V AC 50 Hz / 60 Hz
Class of insulation	
	Class I
Degree of protection	
	IP 65
Operating temperature	
	-20 °C to +55 °C
Cable entry	
	G3/4
Corrosion-proof class	
	WF2

PHOTOMETRIC DATA

BPC8766 30 W, 50 W
LED photometric data
Luminous intensity distribution cd / 1000 lm



We can provide lighting design and data by professional lighting software based upon simulated site situation on request.

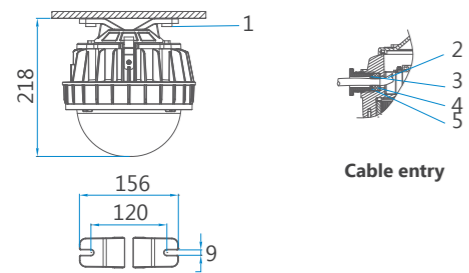
SELECTION TABLE

Model	Lamp power (W)	Lamp type	Operating current (A)	Color temperature (K)	Weight (kg)
BPC8766/30/LED	30	LED	0.9	5500 - 6500 (cool white)	3.7
BPC8766/50/LED	50	LED	0.9	5500 - 6500 (cool white)	3.7

MOUNTING TYPE

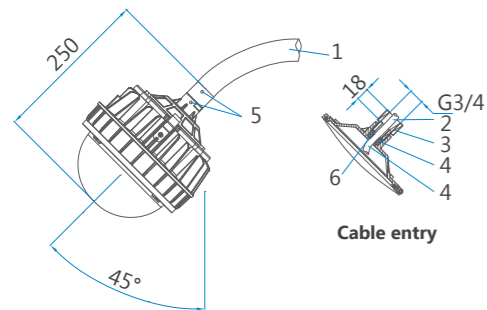
*all dimensions in mm

Ceiling mount



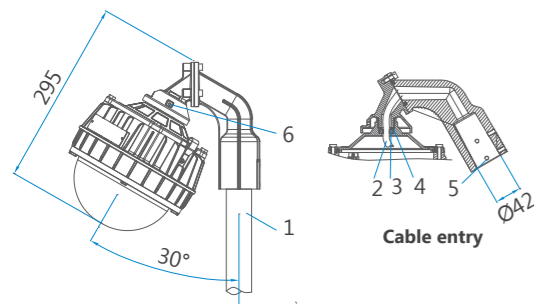
Accessories				
No.	Name	Spec.	Qty.	Remark
1	Expansion bolt (with nut, flat washer and spring washer)	M8 × 50	2	Provided by user
2	Three-core cable	Ø8 - Ø14	Determined by user	Provided by manufacturer
3	Gland nut	G3/4	1	
4	Sealing ring 1	Ø9 - Ø10	1	
5	Washer	14	1	Accessories should be ordered separately.
6	0.5 m three-core cable assembly	0.5 m	1	
7	3 m three-core cable assembly	3 m	1	
8	Sealing ring 2	Ø11 - Ø12	1	
9	Sealing ring 3	Ø13 - Ø14	1	

Pole mount (type A)



Accessories				
No.	Name	Spec.	Qty.	Remark
1	Pipe	G3/4	1	Provided by user
2	Three-core cable	Ø8 - Ø14	Determined by user	Provided by manufacturer
3	Adapter	G3/4	1	
4	Sealing ring 1	Ø9 - Ø10	1	
5	Set screw	M4 × 6	1	Accessories should be ordered separately.
6	Washer	14	1	
7	0.5 m three-core cable assembly	0.5 m	1	
8	3 m three-core cable assembly	3 m	1	
9	Sealing ring 2	Ø11 - Ø12	1	
10	Sealing ring 3	Ø13 - Ø14	1	

Pole mount (type B)



Accessories				
No.	Name	Spec.	Qty.	Remark
1	Pipe	Ø40	1	Provided by user
2	Three-core cable	Ø8 - Ø14	Determined by user	Provided by manufacturer
3	Sealing ring 1	Ø9 - Ø10	1	
4	Washer	14	1	
5	Hex socket screw	M6 × 35	4	Accessories should be ordered separately.
6	Set screw	M4 × 6	1	
7	Adapter assembly	Ø40	1	
8	3 m three-core cable assembly	3 m	1	
9	Sealing ring 2	Ø11 - Ø12	1	
10	Sealing ring 3	Ø13 - Ø14	1	

SPARE PARTS

Name	Picture	Ordering code	Weight (kg)
Light source - 30 W		1311010381	0.01
		1311010383	0.01
Light source - 50 W		1311010380	0.01
		1311010382	0.01
LED driver - 30 W		1311010389	0.40
LED driver - 50 W		1311010388	0.42

APPLICATIONS

Suitable for use as exit sign in hazardous locations, various outdoor and indoor locations, stairs, etc. in Zone 1 and Zone 2 wherever there is the risk of mains power failure or accident.



OK-BLZD-1LROE 5W8402 EXPLOSION-PROTECTED EMERGENCY EXIT SIGN



- Designed for Zone I applications
- Degree of protection up to IP65
- LED light source providing long service life
- Emergency duration up to 120 minutes
- Self-check function for safe use
- Low weight allowing for easy installation

Zone
1

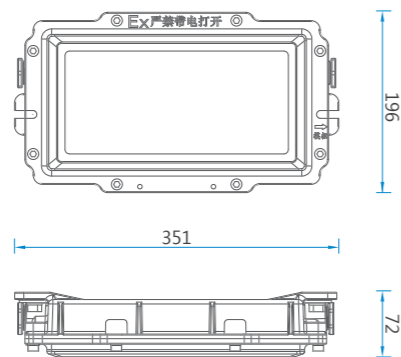
Zone
2

120
Min
Duration of
emergency

IP
65

Wall
mount

DIMENSION DRAWINGS

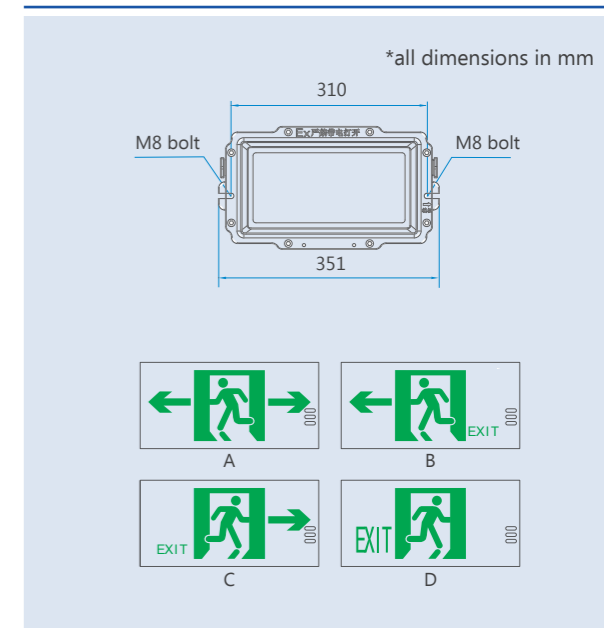


*all dimensions in mm

TECHNICAL DATA

Certification	
International approvals	ATEX, IECEX, CCC, CNEX
Coding	Ex d IIB T6 Gb
Conformity to standards	IEC 60079 / IEC 60598
Material	
Body material	Aluminum alloy with epoxy powder coating
Diffuser	Tempered glass
Light source	
Emergency working power	<5 W
Type	LED
Luminescence	50 cd / m ² - 300 cd / m ²
Life	50000 h
Rated voltage	220 V - 240 V AC 50 Hz / 60 Hz
Class of insulation	Class I
Degree of protection	IP 65
Operating temperature	-20 °C to +55 °C
Cable entry	G3/4
Corrosion-proof class	WF2
Emergency	
Emergency voltage	1.2 V
Battery capacity	0.8 Ah
Emergency duration	>120 minutes
Battery charging time	<24 h
Battery life	500 cycles
Corrosion - resistant	WF2

MOUNTING TYPE



SELECTION TABLE

Model	Type	Weight
OK-BLZD-1LROE 5W8402/A	A	3.50 kg
OK-BLZD-1LROE 5W8402/B	B	3.50 kg
OK-BLZD-1LROE 5W8402/C	C	3.50 kg
OK-BLZD-1LROE 5W8402D	D	3.50 kg

ACCESSORIES

Name	Picture	Ordering code	Weight (kg)
Double sided arrow		3034401002	1.50
Single arrow to the left		3034401003	1.50
Single arrow to the Right		3034401004	1.50
No arrow		3034401005	1.50

APPLICATIONS

Designed to illuminate gas stations, platforms, workshops, and other indoor or outdoor areas.



NFC(NFE)9106

LED (EMERGENCY) HIGH BAY LIGHT FITTING

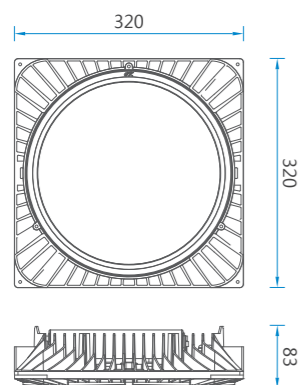


- LED light source providing high luminous efficacy and long service life
- Fitted with a dimmer (1-10V) for light adjustment
- Microwave sensing module available for being ordered separately
- Available with multiple mounting options such as seat mount, wall mount, clamp mount, ceiling mount, recessed mount

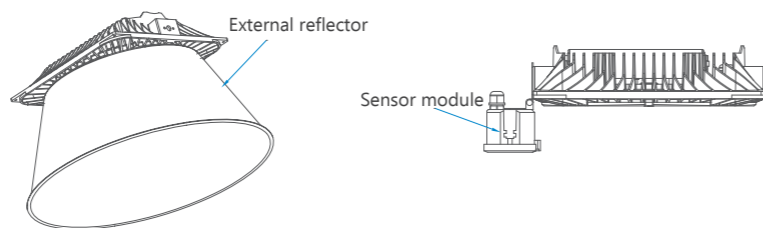
140 lm / W	Anti-glare	IP 65	Recessed mount	Clamp mount	Seat mounting	Pendant mount
----------------------	------------	--------------	----------------	-------------	---------------	---------------



DIMENSION DRAWINGS



*all dimensions in mm



External reflector (can be ordered separately)

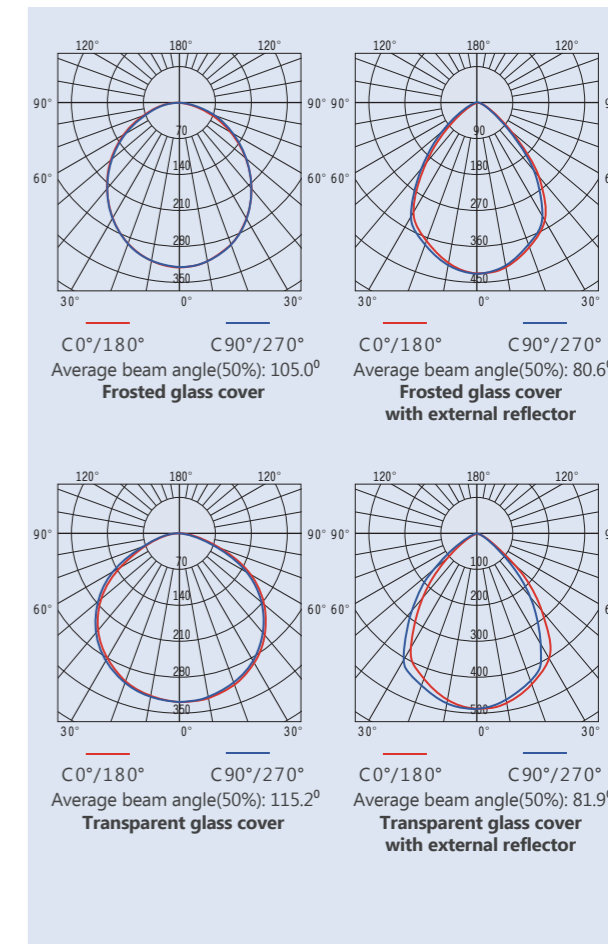
Dimming module (can be ordered separately)

TECHNICAL DATA

Certification	International approvals CCC
Conformity to standards	IEC60598
Material	
Body material	Aluminum alloy with epoxy powder coating
Diffuser	Frosted glass
Light source	
Wattage	100 W / 150 W(mains supply)
Type	LED
Luminous efficiency	140 lm / W
Life	50000 h
Rated voltage	220 V - 240 V AC 50 Hz / 60 Hz
Class of insulation	Class I
Cable entry	G3/4
Operating temperature	-20 °C to +55 °C
Degree of protection	IP 65
Corrosion-proof class	WF2
Emergency	
Battery voltage	7.4 V DC
Battery capacity	37 W.h
Emergency power	16W
Duration	≥ 120 min

PHOTOMETRIC DATA

NFC9106 100 W / 150 W, NFE9106 100 W
LED photometric data.
Luminous intensity distribution cd / 1000 lm



We can provide lighting design and data by professional lighting software based upon simulated site situation on request.

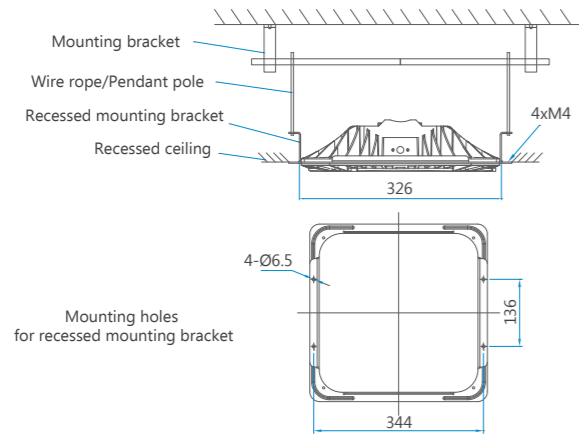
SELECTION TABLE

Model	Lamp power (W)	Lamp type	Operating current (A)	Color temperature (K)	Weight (kg)
NFC9106/100/LED	100	LED	1.8	5500 - 6500	4.5
NFC9106/150/LED	150	LED	3.2	5500 - 6500	5.0
NFE9106/100/LED	100	LED	1.8	5500 - 6500	6.0

MOUNTING TYPE

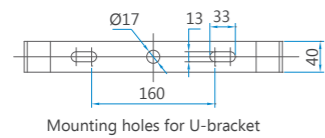
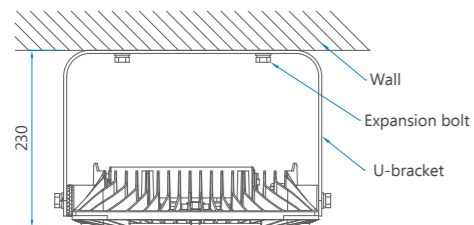
*all dimensions in mm

Recessed mount



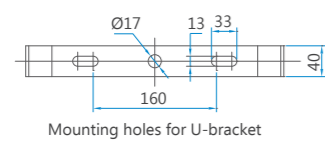
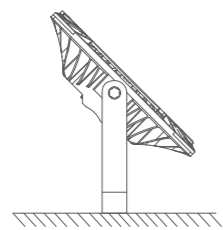
Accessories				
No.	Name	Spec.	Qty.	Remark
1	Mounting bracket			Provided by user
2	Wire rope/Pendant pole		4	
3	Three-core cable	Ø6 - Ø8	Determined by user	Provided by manufacturer
4	Recessed mounting bracket		1	
5	Screw	M4 × 10	4	

Pendant mount by U-bracket



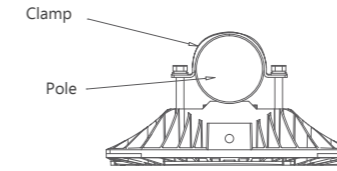
Accessories				
No.	Name	Spec.	Qty.	Remark
1	Expansion bolt	M12	2	Provided by user
2	Three-core cable	Ø6 - Ø8	Determined by user	
3	U-bracket		1	Provided by manufacturer

Seat mount by U-bracket



Accessories				
No.	Name	Spec.	Qty.	Remark
1	Expansion bolt	M12	2	Provided by user
2	Three-core cable	Ø6 - Ø8	Determined by user	
3	U-bracket		1	Provided by manufacturer

Clamp mount



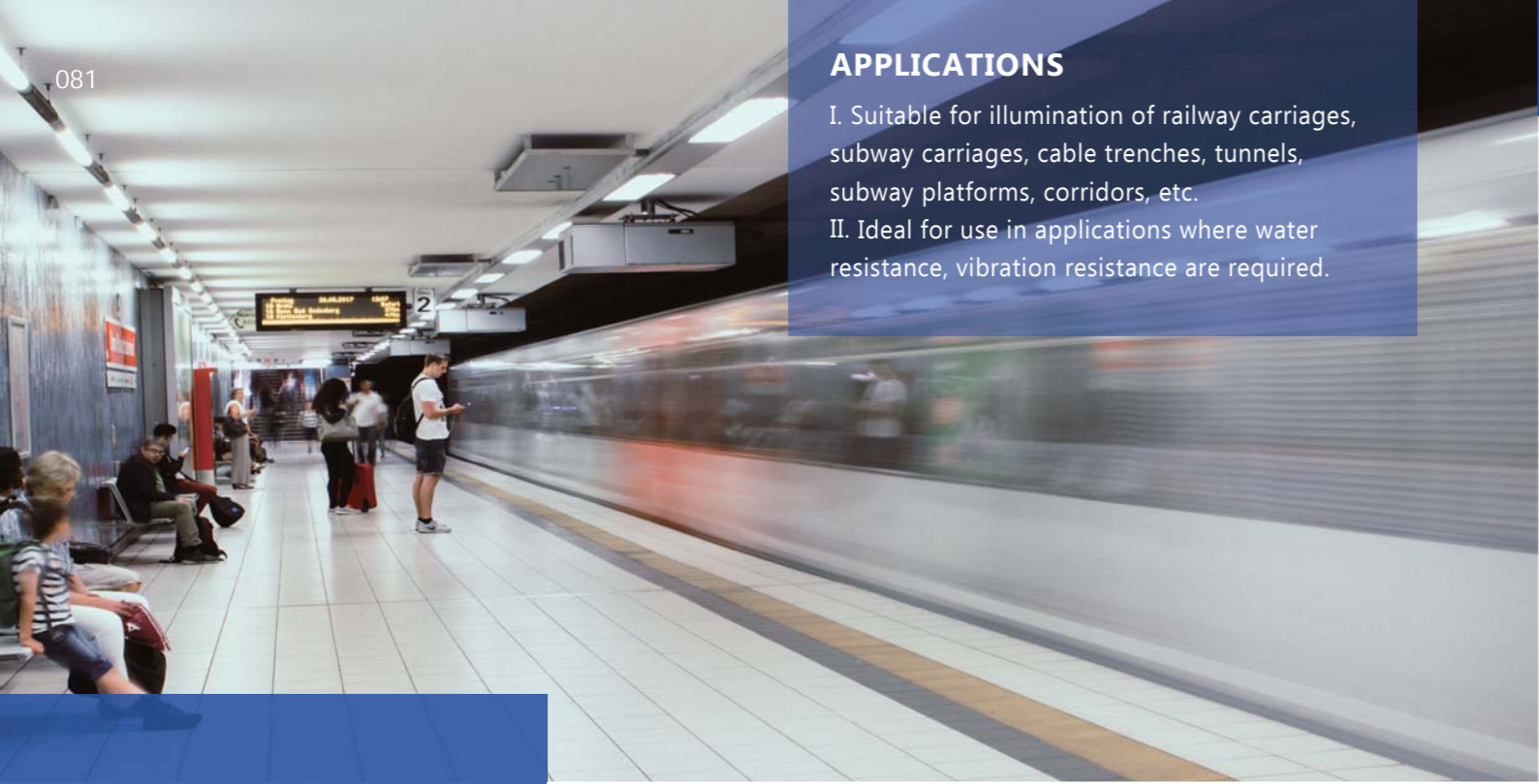
Accessories				
No.	Name	Spec.	Qty.	Remark
1	Pole	Ø60 - Ø90	1	Provided by user
2	Three-core cable	Ø6 - Ø8	Determined by user	
3	Clamp		1	Provided by manufacturer

SPARE PARTS

Name	Picture	Ordering code	Weight (kg)
Dimming module		3046602007	0.26
External reflector		3046602016	0.64

APPLICATIONS

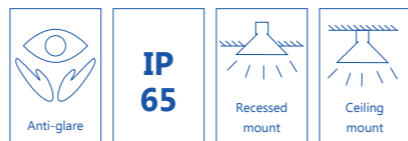
- I. Suitable for illumination of railway carriages, subway carriages, cable trenches, tunnels, subway platforms, corridors, etc.
- II. Ideal for use in applications where water resistance, vibration resistance are required.



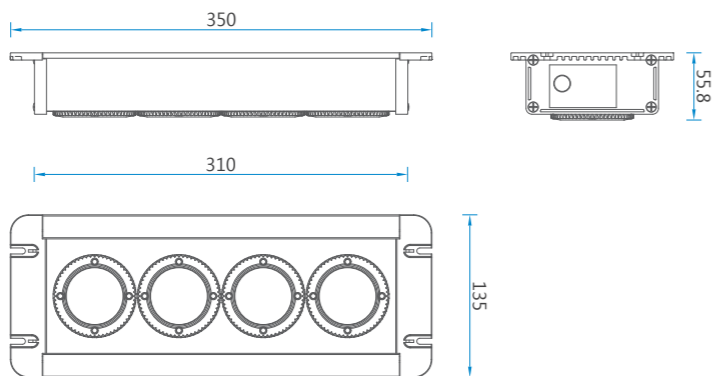
NFC9121(A)/ON LED LOW BAY LIGHT FITTING



- High-power LED light source providing high luminous efficacy
- Degree of protection up to IP65
- Degree of corrosion resistance up to WF2



DIMENSION DRAWINGS



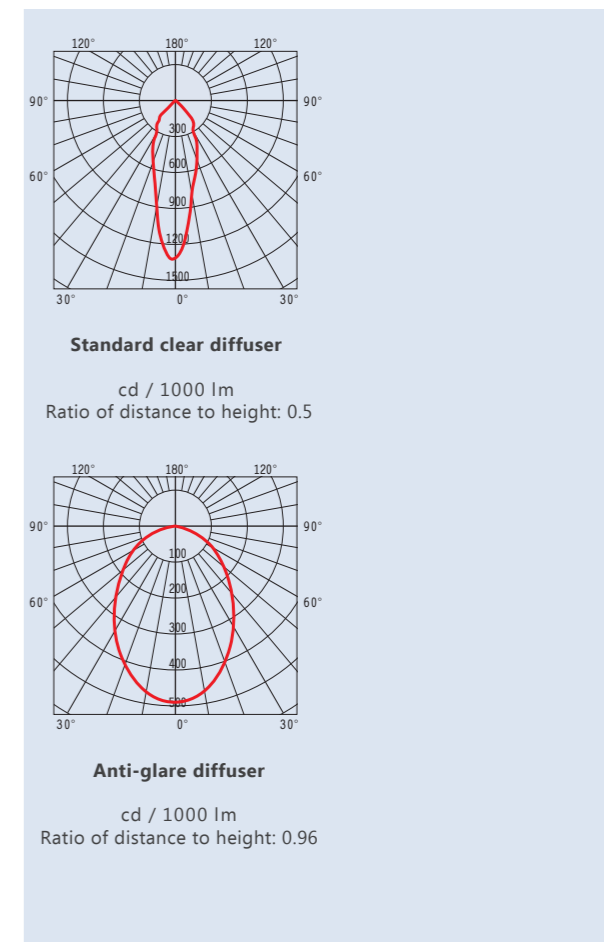
*all dimensions in mm

TECHNICAL DATA

Certification	
International approvals	CCC
Conformity to standards	IEC60598
Material	
Body material	Aluminum alloy with epoxy powder coating
Diffuser	Polycarbonate
Light source	
Wattage	4 × 3 W
Type	LED
Luminous efficiency	140 lm / W
Life	100000 h
Rated voltage	
NFC9121/ON	85 V - 260 V AC 50 Hz / 60 Hz 85 V - 260 V DC
NFC9121A/ON	15 V - 36 V AC 50 Hz / 60 Hz 15 V - 36 V DC
Class of insulation	Class I
Cable entry	G3/4
Operating temperature	-20 °C to +55 °C
Degree of protection	IP 65
Corrosion-proof class	WF2

PHOTOMETRIC DATA

NFC9121/ON, NFC9121A/ON 12W
LED photometric data
Luminous intensity distribution cd / 1000 lm



We can provide lighting design and data by professional lighting software based upon simulated site situation on request.

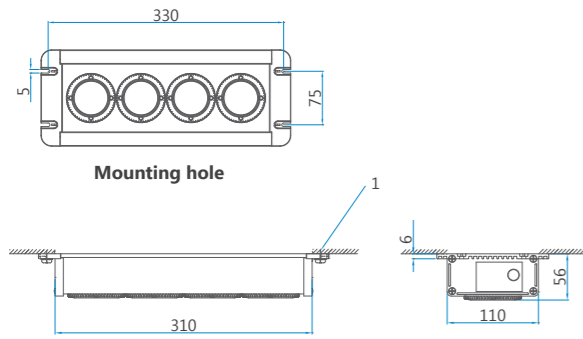
SELECTION TABLE

Model	Lamp power (W)	Lamp type	Operating current (A)	Color temperature (K)	Weight (kg)
NFC9121/ON/12/LED	4 × 3	LED	0.7	5000 - 7000 (cool white)	1.0
NFC9121A/ON/12/LED	4 × 3	LED	0.7	2700 - 3300 (warm white)	1.0
NFC9121/ON/12/LED	4 × 3	LED	0.7	2700 - 3300 (warm white)	1.0
NFC9121A/ON/12/LED	4 × 3	LED	0.7	5000 - 7000 (cool white)	1.0

MOUNTING TYPE

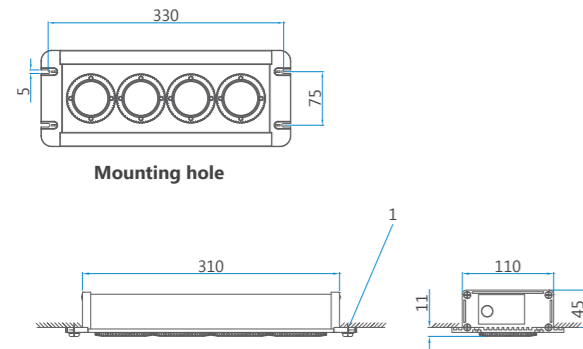
*all dimensions in mm

Ceiling mount



Accessories				
No.	Name	Spec.	Qty.	Remark
1	Cross recessed pan head screw	ST4-ST5	4	Provided by user

Recessed mount



Accessories				
No.	Name	Spec.	Qty.	Remark
1	Cross recessed pan head screw	ST4-ST5	4	Provided by user

SPARE PARTS

Name	Picture	Ordering code	Weight (kg)
------	---------	---------------	-------------

LED Drive

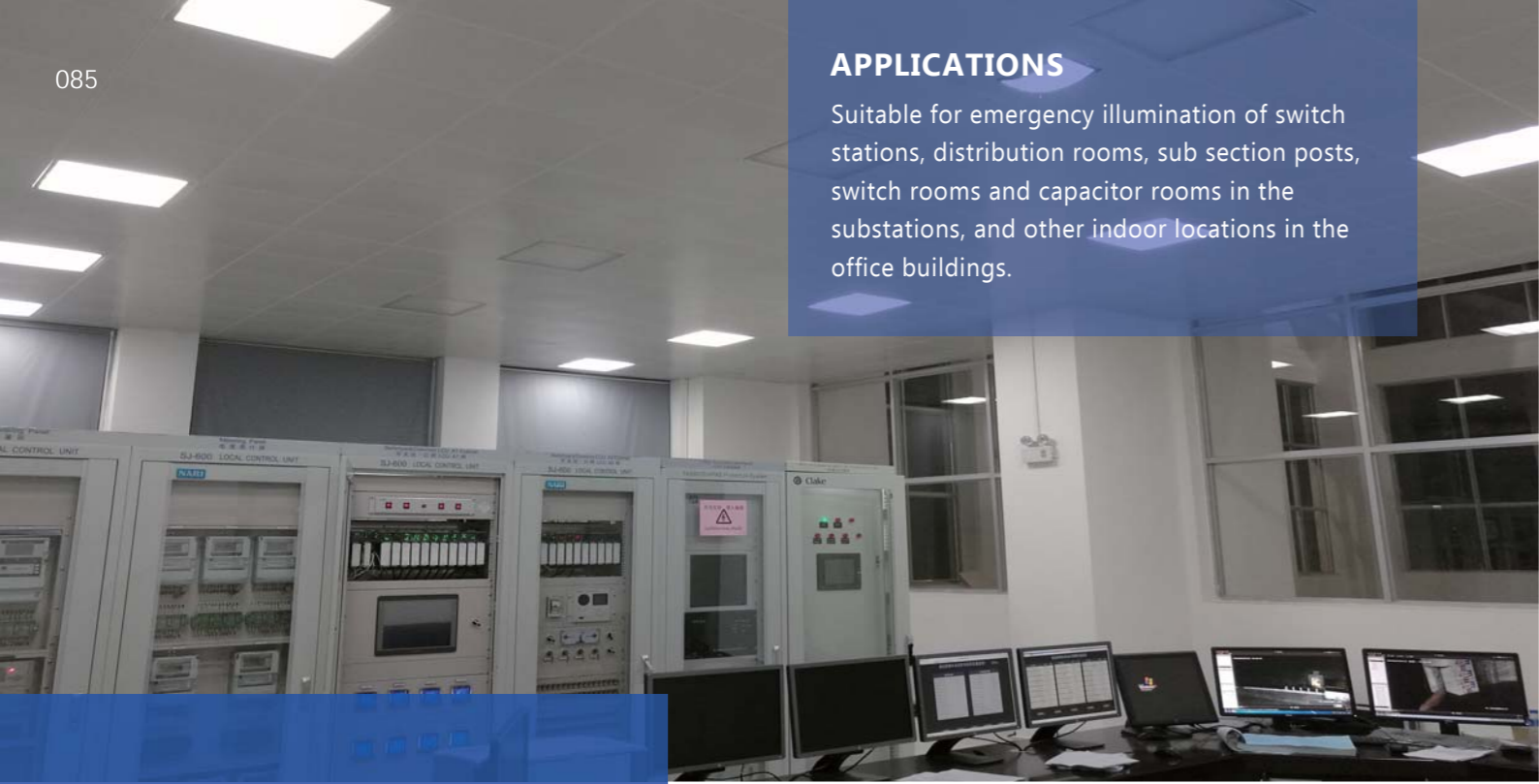


5010502010

0.05

APPLICATIONS

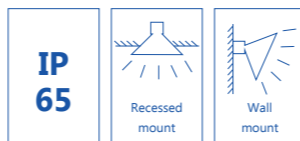
Suitable for emergency illumination of switch stations, distribution rooms, sub section posts, switch rooms and capacitor rooms in the substations, and other indoor locations in the office buildings.



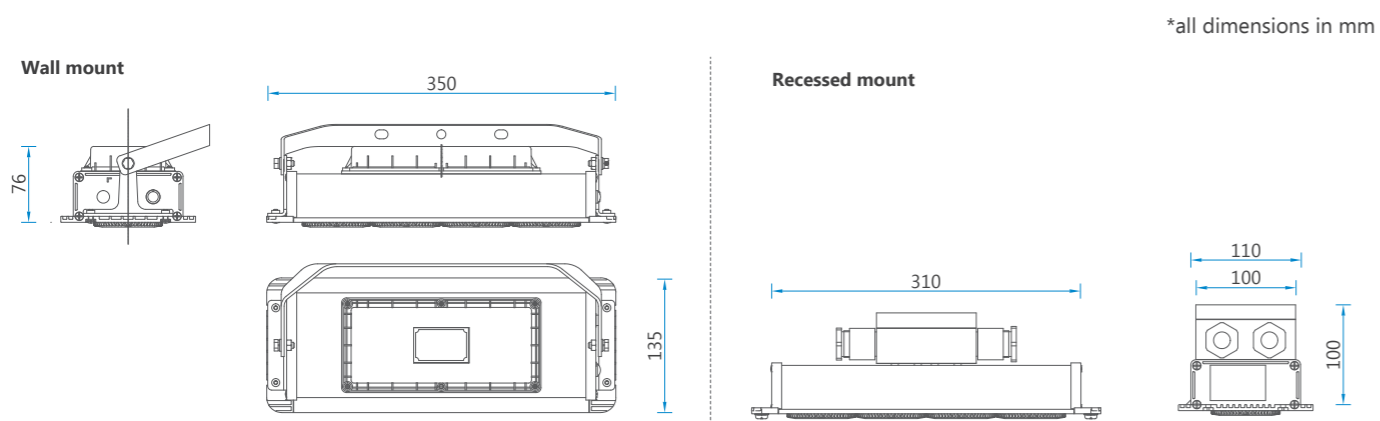
NFE9121A/NFE9121B EMERGENCY LOW BAY LIGHT FITTING



- Service life of light source up to 100000 hours
- Battery life up to 1000 cycles
- Degree of protection IP65 and degree of corrosion resistance WF2
- Integral structure allowing for easy installation
- Supplied with a rotatable mounting bracket for adjusting lighting angle



DIMENSION DRAWINGS

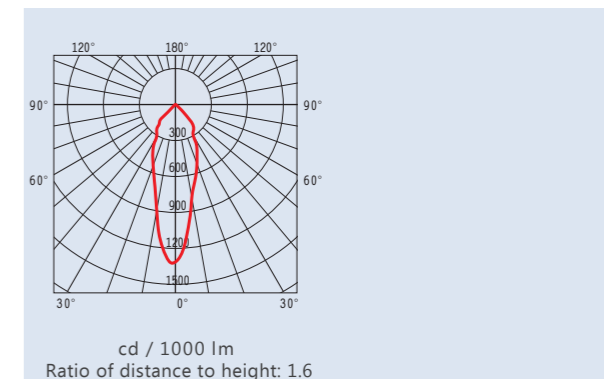


TECHNICAL DATA

Certification	
International approvals	CCC
Conformity to standards	IEC60598
Material	
Body material	Aluminum alloy with epoxy powder coating
Diffuser	Polycarbonate
Light source	
Wattage	4 × 3 W
Type	LED
Luminous efficiency	140 lm / W
Life	100000 h
Emergency	
Battery voltage	7.4 V DC
Battery capacity	4 Ah / 8 Ah
Emergency power	4 × 1 W
Duration	> 7 h / < 11 h
Rated voltage	220 V / 230 V / 240 V AC 50 Hz / 60 Hz
Class of insulation	Class I
Cable entry	G3/4
Operating temperature	-20 °C to +55 °C
Degree of protection	IP 65
Corrosion-proof class	WF2

PHOTOMETRIC DATA

NFE9121A, NFE9121B 12W
LED photometric data
Luminous intensity distribution cd / 1000 lm



We can provide lighting design and data by professional lighting software based upon simulated site situation on request.

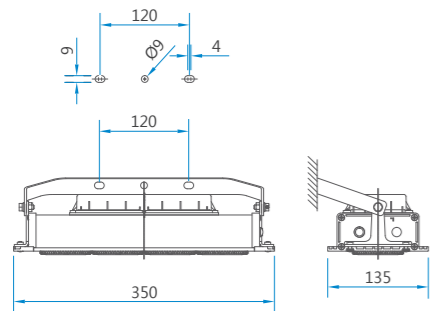
SELECTION TABLE

Model	Lamp power (W)	Function	Operating current (A)	Battery (lithium)	Weight (kg)
NFE9121A-T1/12/LED	4 × 3 / 4 × 1(emergency)	Maintained	0.7 / 0.35(emergency)	4 Ah	1.75
NFE9121A-T2/12/LED	4 × 3 / 4 × 1(emergency)	Maintained	0.7 / 0.35(emergency)	8 Ah	2.0
NFE9121B-T1/12/LED	4 × 3 / 4 × 1(emergency)	Non-maintained	0.7 / 0.35(emergency)	4 Ah	1.75
NFE9121B-T2/12/LED	4 × 3 / 4 × 1(emergency)	Non-maintained	0.7 / 0.35(emergency)	8 Ah	2.0

MOUNTING TYPE

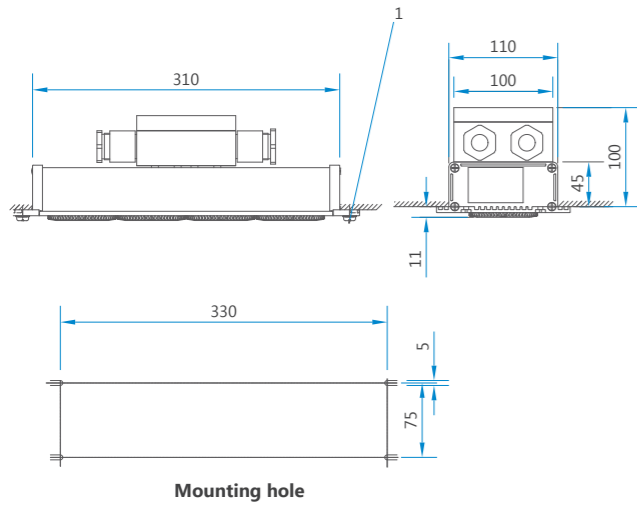
Wall mount

*all dimensions in mm



Accessories				
No.	Name	Spec.	Qty.	Remark
1	Expansion bolt (with nut, flat washer and spring washer)	M8 (length by user)	2	Provided by user

Recessed mount



Accessories				
No.	Name	Spec.	Qty.	Remark
1	Cross recessed pan head screw	ST4-ST5	4	Provided by user

SPARE PARTS

Name	Picture	Ordering code	Weight (kg)
------	---------	---------------	-------------

LED driver

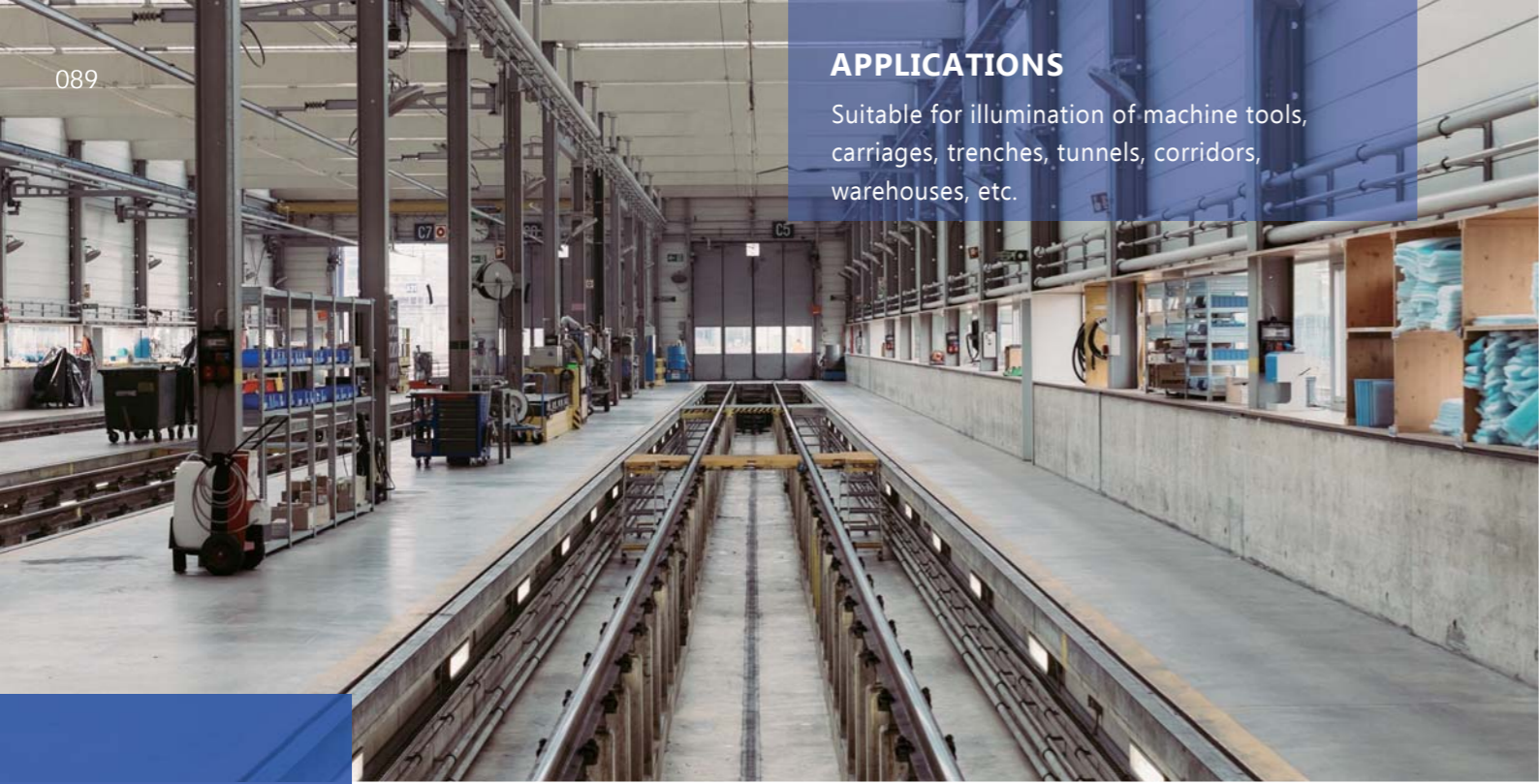


1310040219

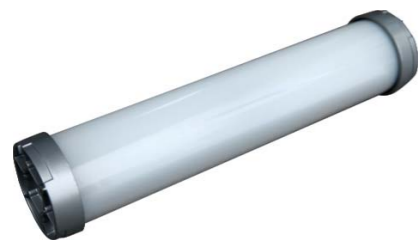
0.07

APPLICATIONS

Suitable for illumination of machine tools, carriages, trenches, tunnels, corridors, warehouses, etc.



NFC9128 LED WORKLIGHT



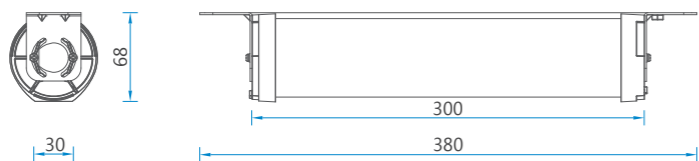
- LED light source providing high luminous efficacy and long service life
- Plexiglass made transparent cover
- Degree of protection up to IP66
- Small size and low weight allowing for easy installation and maintenance works
- Suitable for ceiling mounting, wall mounting, pole mounting and magnetic adsorption mounting

140 lm / W		IP 66				
----------------------	--	--------------	--	--	--	--



DIMENSION DRAWINGS

*all dimensions in mm

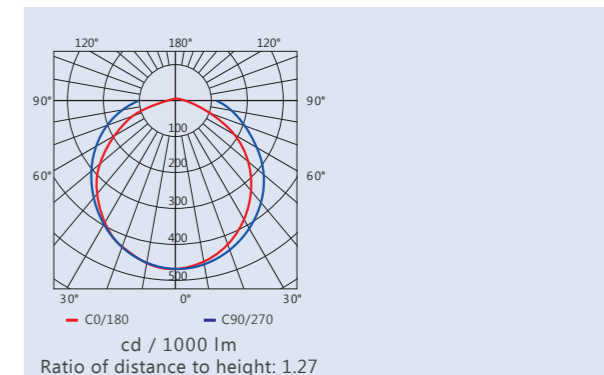


TECHNICAL DATA

Certification	
International approvals	CB, CE, CCC
Conformity to standards	IEC60598
Material	
Body material	Aluminum alloy with epoxy powder coating
Diffuser	Polycarbonate
Light source	
Wattage	20 W
Type	LED
Luminous efficiency	140 lm / W
Life	100000 h
Rated voltage	
NFC9128	220 V - 240 V AC 50 Hz / 60 Hz
NFC9128A	24 V / 36 V DC 50 Hz
Class of insulation	Class I
Cable entry	G3/4
Operating temperature	-20 °C to +55 °C
Degree of protection	IP 65
Corrosion-proof class	WF2

PHOTOMETRIC DATA

NFC9128 20 W
LED photometric data
Luminous intensity distribution cd / 1000 lm



We can provide lighting design and data by professional lighting software based upon simulated site situation on request.

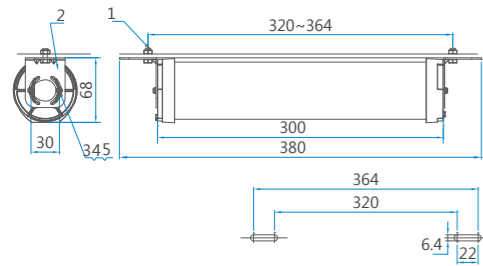
SELECTION TABLE

Model	Lamp power (W)	Lamp type	Operating current (A)	Color temperature (K)	Weight (kg)
NFC9128/20/LED	20	LED	0.3	5000 - 7000	0.7
NFC9128A/20/LED	20	LED	1.3	5000 - 7000	0.7

MOUNTING TYPE

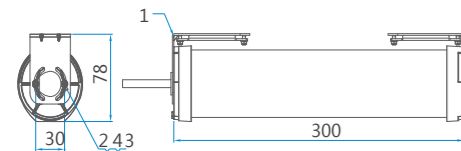
Ceiling mount and wall mount

*all dimensions in mm



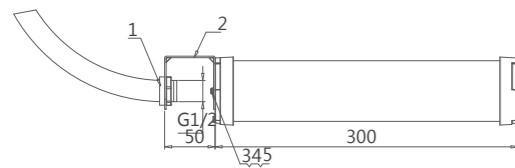
Accessories				
No.	Name	Spec.	Qty.	Remark
1	Expansion bolt (with nut, flat washer and spring washer)	M6 × 60	2	Provided by user
2	Mounting bracket		2	
3	Spring washer	3	4	Provided by manufacturer
4	Cross recessed head screw	M3 × 6	4	
5	Flat washer	3	4	

Magnetic adsorption mount



Accessories				
No.	Name	Spec.	Qty.	Remark
1	Magnetic adsorption mounting bracket		1	Provided by manufacturer
2	Spring washer	3	4	
3	Cross recessed head screw	M3 × 6	4	
4	Flat washer	3	4	

Pole mount



Accessories				
No.	Name	Spec.	Qty.	Remark
1	Expansion bolt (with nut, flat washer and spring washer)	G1/2	1	Provided by user
2	Pole mounting bracket		1	
3	Spring washer	3	2	Provided by manufacturer
4	Cross recessed head screw	M3 × 6	2	
5	Flat washer	3	2	

SPARE PARTS

Name	Picture	Ordering code	Weight (kg)
LED drive - 220 V AC		1305020043	0.16
LED drive - 24 V - 36 V AC / DC		1305020044	0.06

APPLICATIONS

- I. Designed for illumination of sealing automatic production lines, painting work inspections, spraying operations, repair works, etc.
- II. Ideal for a variety of applications such as main control rooms, meeting rooms, passages, industrial cleaning rooms, dust-free workshops, decontamination rooms, laboratories with constant temperature and humidity and other indoor areas where clean environment is required.



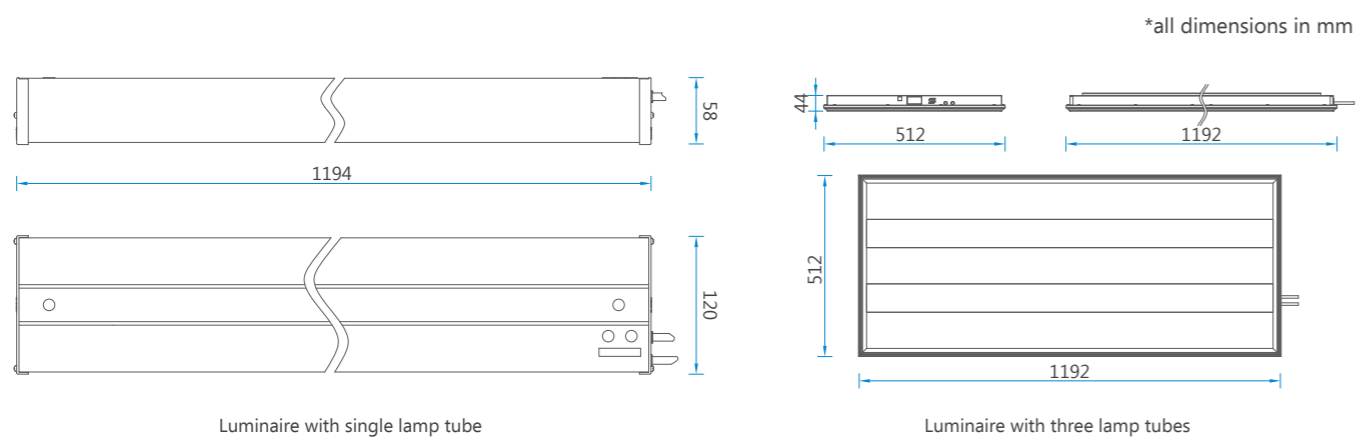
NFC9143 LED PENDANT LIGHT FITTING



- High color rendering and uniform illumination without glare
- Fitted with a dimmer for light adjustment
- Service life of light source up to 100000 hours
- The electronics being reliably protected against electromagnetic fields (EMC)
- Streamlined appearance

140 lm / W	Anti-glare	IP 43	Recessed mount	Pendant mounting	Wall mount	Ceiling mount
----------------------	------------	--------------	----------------	------------------	------------	---------------

DIMENSION DRAWINGS

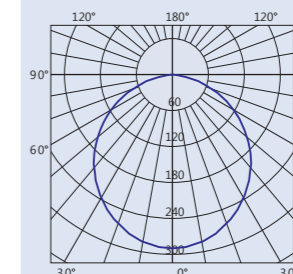


TECHNICAL DATA

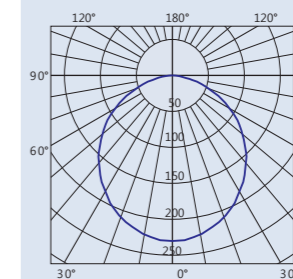
Certification	
International approvals	CCC
Conformity to standards	IEC60598
Material	
Body material	Aluminum alloy with epoxy powder coating
Diffuser	Polycarbonate
Light source	
Wattage	36 W / 108 W
Type	LED
Luminous efficiency	140 lm / W
Life	100000 h
Rated voltage	220 V - 240 V AC 50 Hz / 60 Hz
Dimmer voltage	1 V - 10 V DC
Class of insulation	Class I
Cable entry	G3/4
Operating temperature	-20 °C to +55 °C
Degree of protection	IP 43
Corrosion-proof class	WF2

PHOTOMETRIC DATA

NFC9143 36 W, 108 W
LED photometric data
Luminous intensity distribution cd / 1000 lm



36 W
cd / 1000 lm
Ratio of distance to height: 1.34



108 W
cd / 1000 lm
Ratio of distance to height: 1.34

We can provide lighting design and data by professional lighting software based upon simulated site situation on request.

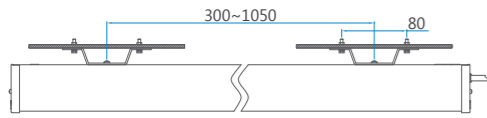
SELECTION TABLE

Model	Lamp power (W)	Lamp type	Operating current (A)	Color temperature (K)	Weight (kg)
NFC9143/36/LED	36	LED	0.17	6500 (cool white)	1.6 ± 0.2
NFC9143/36/LED	36	LED	0.17	4300 (warm white)	1.6 ± 0.2
NFC9143/108/LED	108	LED	0.5	6500 (cool white)	7.0 ± 0.5
NFC9143/108/LED	108	LED	0.5	4300 (warm white)	7.0 ± 0.5

MOUNTING TYPE

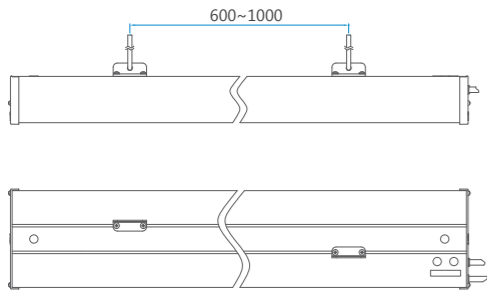
Ceiling mount and wall mount(36 W)

*all dimensions in mm



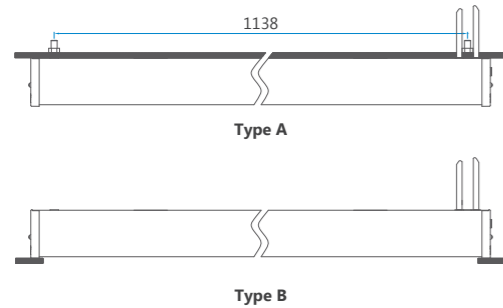
Accessories				
No.	Name	Spec.	Qty.	Remark
1	Expansion bolt (with nut, flat washer and spring washer)	M6	4	Provided by user
2	Three-core cable	Ø6 - Ø8	Determined by user	
3	Ceiling mounting bracket		2	Provided by manufacturer
4	Cross recessed head screw		4	

Pendant mount(36 W)



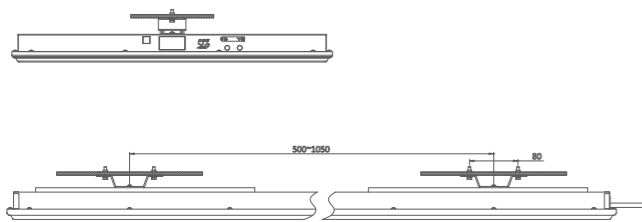
Accessories				
No.	Name	Spec.	Qty.	Remark
1	Rope/chain		2	Provided by user
2	Three-core cable	Ø6 - Ø8	Determined by user	
3	Pendant mounting bracket		2	Provided by manufacturer
4	Cross recessed head screw		4	

Recessed mount(36 W)



Accessories				
No.	Name	Spec.	Qty.	Remark
1	Expansion bolt (with nut, flat washer and spring washer)	M6	2	Provided by user
2	Three-core cable	Ø6 - Ø8	Determined by user	

Ceiling mount and wall mount(108 W)



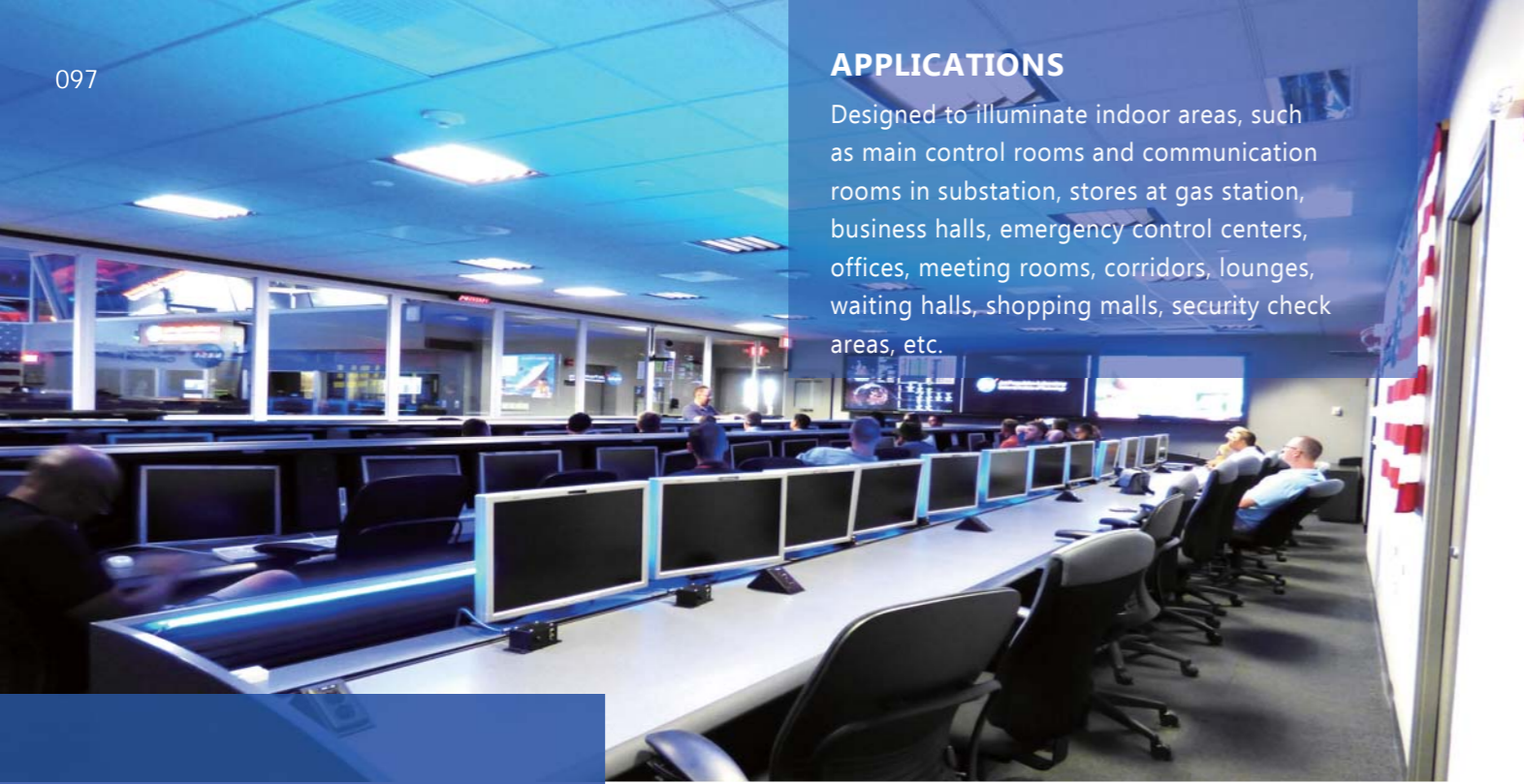
Accessories				
No.	Name	Spec.	Qty.	Remark
1	Expansion bolt (with nut, flat washer and spring washer)	M6	4	Provided by user
2	Three-core cable	Ø6 - Ø8	Determined by user	
3	Ceiling mounting bracket		2	Provided by manufacturer
4	Cross recessed head screw		4	

SPARE PARTS

Name	Picture	Ordering code	Weight (kg)
LED driver - 36 W		1305010100	0.22
LED driver - 108 W		1305010101	0.64

APPLICATIONS

Designed to illuminate indoor areas, such as main control rooms and communication rooms in substation, stores at gas station, business halls, emergency control centers, offices, meeting rooms, corridors, lounges, waiting halls, shopping malls, security check areas, etc.



NFC9166/NFE9166 LED LOW BAY LIGHT FITTING



Type A



Type B



- Even light distributions and CRI above 80
- Multiple mounting options

140
lm / W

Anti-glare

IP
20

Recessed
mount

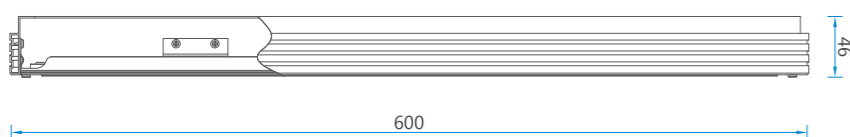
Pendant
mounting

Ceiling
mount



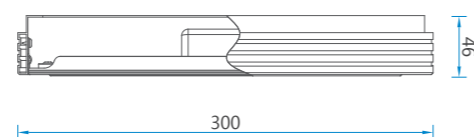
DIMENSION DRAWINGS

*all dimensions in mm



NFC9166A / NFE9166A

Dimensions of light fitting: 600 mm × 600 mm × 46 mm
Dimensions of bracket: 616 mm(L) × 616 mm(W)



NFC9166B / NFE9166B

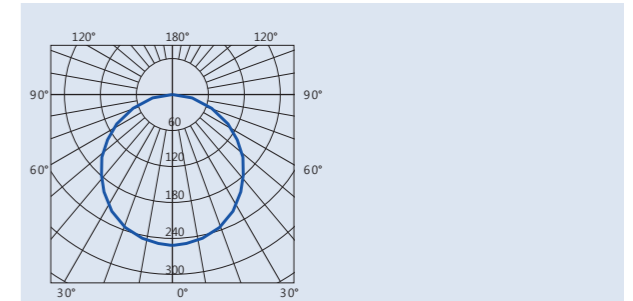
Dimensions of light fitting: 300 mm × 1200 mm × 46 mm
Dimensions of bracket: 1216 mm(L) × 316 mm(W)

TECHNICAL DATA

Certification	International approvals CCC
Conformity to standards	IEC60598
Material	Body material Aluminum alloy with epoxy powder coating
	Diffuser Tempered glass
Light source	
	Wattage 48 W
	Type LED
	Luminous efficiency 140 lm / W
	Life 100000 h
Rated voltage	220 V - 240 V AC 50 Hz / 60 Hz
Emergency	
	Emergency voltage 220 V DC
	Emergency power 8 W
	Duration ≥ 120 min
Microwave sensing module	
	Sensing area (radius) 5s / 30s / 90s / 3 min / 20 min / 30 min
	Delay setting 5 m Max.
	Light sensing threshold value 2 lux / 10 lux / 25 lux / 50 lux / disable
	Load power 400 W Max.(8 sets of 9166 luminaires)
Class of insulation	Class I
Cable entry	G3/4
Operating temperature	-20 °C to +55 °C
Degree of protection	IP 20
Corrosion-proof class	WF2

PHOTOMETRIC DATA

NFC9166/NFE9166 48 W
LED photometric data
Luminous intensity distribution cd / 1000 lm



cd / 1000 lm
Ratio of distance to height: 1.1

We can provide lighting design and data by professional lighting software based upon simulated site situation on request.

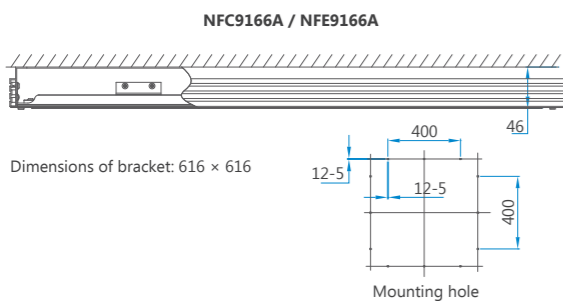
SELECTION TABLE

Model	Lamp power (W)	Lamp type	Operating current (A)	Color temperature (K)	Weight (kg)
NFC9166A/48/LED	48	LED	0.9	5000 - 6500	2.9
NFC9166B/48/LED	48	LED	0.9	5000 - 6500	3.0
NFE9166A/48/LED	48	LED	0.9	5000 - 6500	3.5
NFE9166B/48/LED	48	LED	0.9	5000 - 6500	3.6

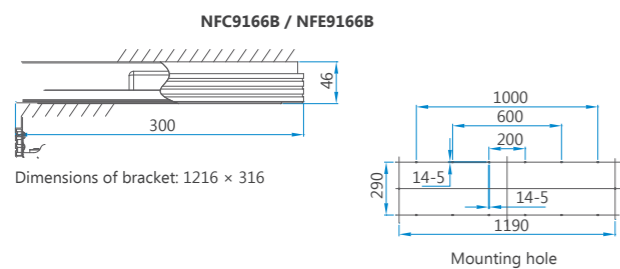
MOUNTING TYPE

*all dimensions in mm

Ceiling mount

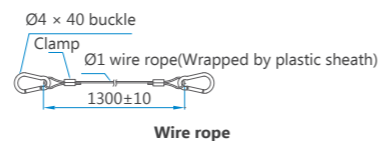
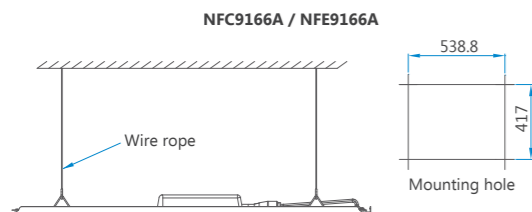


Accessories(NFC9166A / NFE9166A)				
No.	Name	Spec.	Qty.	Remark
1	Expansion bolt (with nut, flat washer and spring washer)	M4 × 20	12	Provided by user
2	Two-core cable	Ø6 - Ø8	Determined by user	
3	Mounting bracket		1	Should be ordered separately

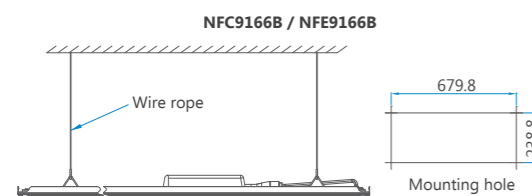


Accessories(NFC9166B / NFE9166B)				
No.	Name	Spec.	Qty.	Remark
1	Expansion bolt (with nut, flat washer and spring washer)	M4 × 20	14	Provided by user
2	Two-core cable	Ø6 - Ø8	Determined by user	
3	Mounting bracket		1	Should be ordered separately

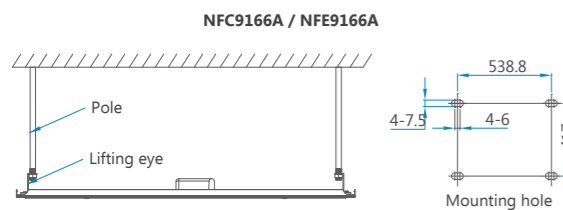
Wire rope mount



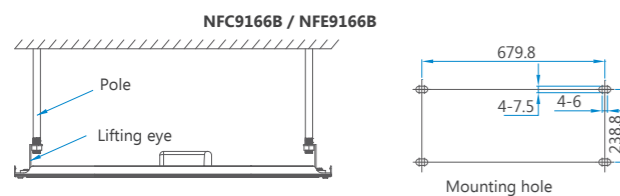
Accessories				
No.	Name	Spec.	Qty.	Remark
1	Ring bolt		4	Provided by user
2	Two-core cable	Ø8 - Ø10	Determined by user	
3	Wire rope	1300	4	Should be ordered separately



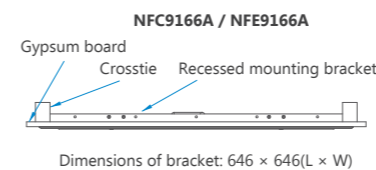
Pendant mount



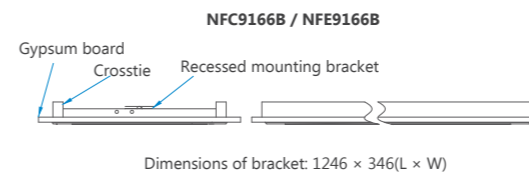
Accessories				
No.	Name	Spec.	Qty.	Remark
1	Pole (with M6 nut, flat washer and spring washer)	M6	4	Provided by user
2	Two-core cable	Ø6 - Ø8	Determined by user	
3	Lifting eye		4	Should be ordered separately



Gypsum board recessed mount

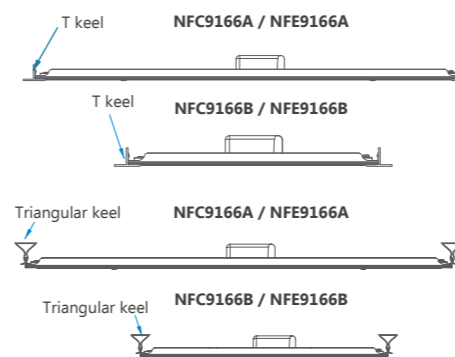


Accessories(NFC9166A / NFE9166A)				
No.	Name	Spec.	Qty.	Remark
1	Expansion bolt (with nut, flat washer and spring washer)	M4 × 20	12	Provided by user
2	Two-core cable	Ø6 - Ø8	Determined by user	
3	Mounting bracket		1	Should be ordered separately



Accessories(NFC9166B / NFE9166B)				
No.	Name	Spec.	Qty.	Remark
1	Expansion bolt (with nut, flat washer and spring washer)	M4 × 20	14	Provided by user
2	Two-core cable	Ø6 - Ø8	Determined by user	
3	Mounting bracket		1	Should be ordered separately

Flat-typed recessed mount



Accessories				
No.	Name	Spec.	Qty.	Remark
1	Two-core cable	Ø6 - Ø8	Determined by user	Provided by user

SPARE PARTS

Name	Picture	Ordering code	Weight (kg)
LED driver		1305010085	0.16

APPLICATIONS

Suitable for use in plant areas, workshops, yards, and illumination of large facilities, equipments and installations.



NFC9186A LED PENDANT LIGHT FITTING



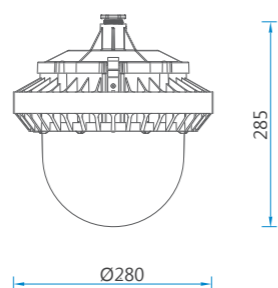
- Optical distributions: round type
- Anti-glare transparent cover
- LED light source featuring high luminous efficacy and long life
- Degree of protection: IP 65
- Suitable for pole mounting, wall mounting and ceiling mounting

140 lm / W	Anti-glare	IP 65	Pole mount	Wall mount	Ceiling mount
----------------------	------------	--------------	------------	------------	---------------



DIMENSION DRAWINGS

*all dimensions in mm

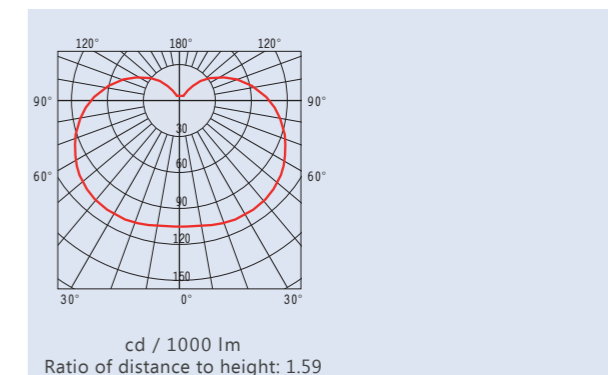


TECHNICAL DATA

Certification	
International approvals	CU-TR, CB, CE, CCC
Conformity to standards	IEC60598
Material	
Body material	Aluminum alloy with epoxy powder coating
Diffuser	Polycarbonate
Light source	
Wattage	70 W
Type	LED
Luminous efficiency	140 lm / W
Life	100000 h
Rated voltage	220 V - 240 V AC 50 Hz / 60 Hz
Class of insulation	Class I
Cable entry	G3/4
Operating temperature	-20 °C to +55 °C
Degree of protection	IP 65
Corrosion-proof class	WF2

PHOTOMETRIC DATA

NFC9186A 70 W
LED photometric data
Luminous intensity distribution cd / 1000 lm



We can provide lighting design and data by professional lighting software based upon simulated site situation on request.

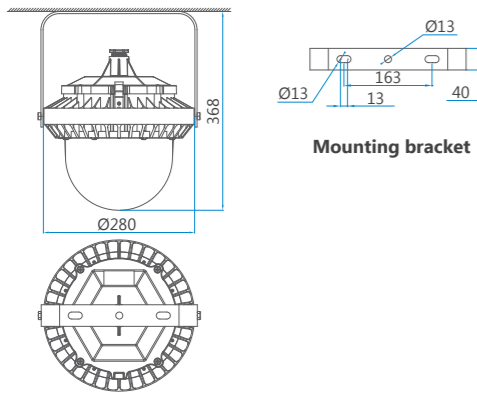
SELECTION TABLE

Model	Lamp power (W)	Lamp type	Operating current (A)	Color temperature (K)	Weight (kg)
NFC9186A/70/LED	70	LED	0.35	5000 - 7000 (cool white)	4.9
NFC9186A/70/LED	70	LED	0.35	2700 - 3300 (warm white)	4.9

MOUNTING TYPE

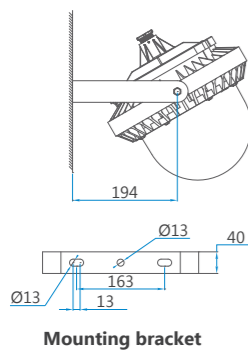
*all dimensions in mm

Ceiling mount



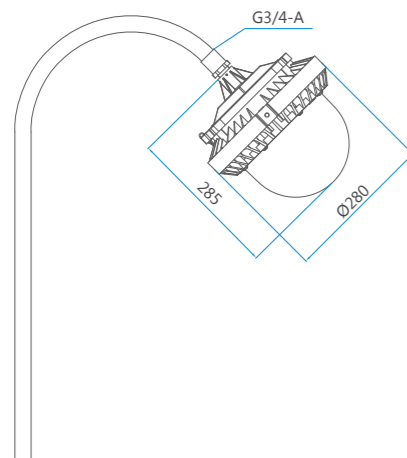
Accessories				
No.	Name	Spec.	Qty.	Remark
1	Expansion bolt (with nut, flat washer and spring washer)	M12	1	Provided by user
2	Three-core cable	Ø8 - Ø10	Determined by user	
3	Hex nut	M8 × 20	2	Provided by manufacturer
4	Spring washer	8	2	
5	Flat washer	8	2	
6	U bracket		1	

Wall mount



Accessories				
No.	Name	Spec.	Qty.	Remark
1	Expansion bolt (with nut, flat washer and spring washer)	M12	1	Provided by user
2	Three-core cable	Ø8 - Ø10	Determined by user	
3	Hex nut	M8 × 20	2	Provided by manufacturer
4	Spring washer	8	2	
5	Flat washer	8	2	
6	U bracket		1	

Pole mount



Accessories				
No.	Name	Spec.	Qty.	Remark
1	Pole	G3/4	1	Provided by user
2	Three-core cable	Ø8 - Ø10	Determined by user	
3	Adapter	G3/4	1	Provided by manufacturer
4	Slotted set screw	M4 × 6	2	
5	Washer		1	
6	Filling	Ø10	1	

SPARE PARTS

Name	Picture	Ordering code	Weight (kg)
Light source - 70 W (cool white)		1311010338	0.11
Light source - 70 W (warm white)		1311010339	0.11
LED driver - 70 W		1333010043	0.79

APPLICATIONS

Suitable for illuminating factory areas, workshops, yards, platforms, tunnels, large facilities, etc.



NFC9189 LED PENDANT LIGHT FITTING



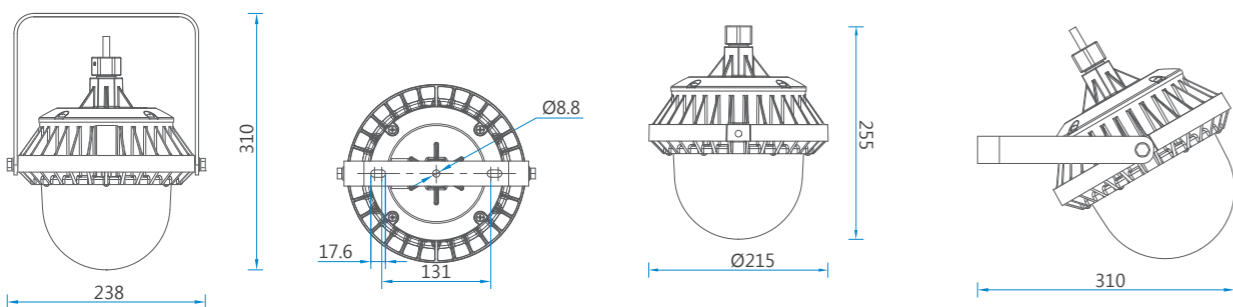
- Optical distributions: round type
- Anti-glare transparent cover
- LED light source featuring high luminous efficacy and long life
- Degree of protection: IP 65
- Suitable for pole mounting, wall mounting and ceiling mounting

140 lm / W	Anti-glare	IP 65	Pole mount	Wall mount	Ceiling mount
----------------------	------------	--------------	------------	------------	---------------



DIMENSION DRAWINGS

*all dimensions in mm

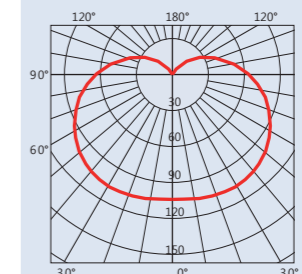


TECHNICAL DATA

Certification	
International approvals	CU-TR, CB, CE, CCC
Conformity to standards	IEC60598
Material	
Body material	Aluminum alloy with epoxy powder coating
Diffuser	Polycarbonate
Light source	
Wattage	30 W / 50 W
Type	LED
Luminous efficiency	140 lm / W
Life	100000 h
Rated voltage	220 V - 240 V AC 50 Hz / 60 Hz
Class of insulation	Class I
Cable entry	G3/4
Operating temperature	-20 °C to +55 °C
Degree of protection	IP 65
Corrosion-proof class	WF2

PHOTOMETRIC DATA

NFC9189 30 W, 50 W
LED photometric data
Luminous intensity distribution cd / 1000 lm



cd / 1000 lm
Ratio of distance to height: 1.57

We can provide lighting design and data by professional lighting software based upon simulated site situation on request.

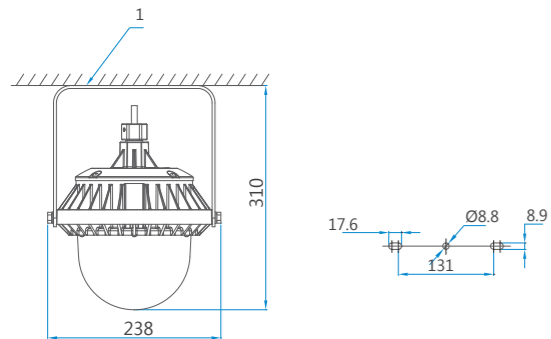
SELECTION TABLE

Model	Lamp power (W)	Lamp type	Operating current (A)	Color temperature (K)	Weight (kg)
NFC9189/30/LED	30	LED	0.9	5000 - 6500 (cool white)	2.2
NFC9189/30/LED	30	LED	0.9	2700 - 3300 (warm white)	2.2
NFC9189/50/LED	50	LED	0.9	5000 - 6500 (cool white)	2.2
NFC9189/50/LED	50	LED	0.9	2700 - 3300 (warm white)	2.2

MOUNTING TYPE

*all dimensions in mm

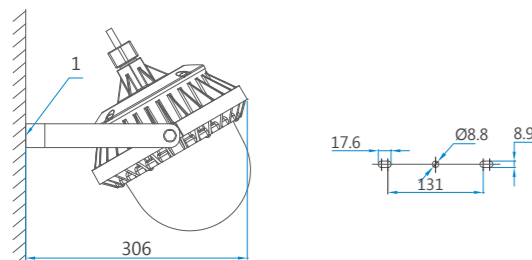
Ceiling mount



Mounting bracket

Accessories				
No.	Name	Spec.	Qty.	Remark
1	Expansion bolt (with nut, flat washer and spring washer)	M8 × 80	3	Provided by user
2	Three-core cable	Ø8 - Ø10	Determined by user	

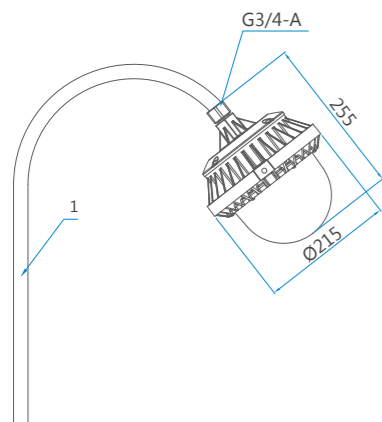
Wall mount



Mounting bracket

Accessories				
No.	Name	Spec.	Qty.	Remark
1	Expansion bolt (with nut, flat washer and spring washer)	M8 × 80	3	Provided by user
2	Three-core cable	Ø8 - Ø10	Determined by user	

Pole mount



Accessories				
No.	Name	Spec.	Qty.	Remark
1	Pole	G3/4 - A	1	Provided by user
2	Three-core cable	Ø8 - Ø10	Determined by user	

SPARE PARTS

Name	Picture	Ordering code	Weight (kg)
Light source - 30 W (cool white)		1311010371	0.10
Light source - 50 W (cool white)		1311010369	0.13
LED driver - 30 W		1305010064	0.45
LED driver - 50 W		1305010063	0.55

APPLICATIONS

Designed to illuminate stadiums, gyms, football fields, golf courses, etc.; ideal for high mast mounting in the shipyards, ports and airports.



NTC9222 LED SPOTLIGHT



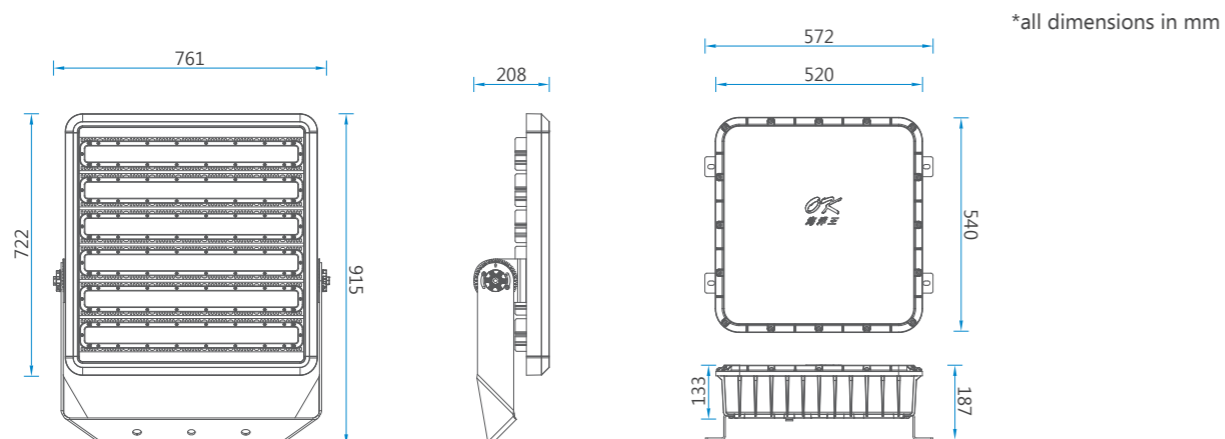
LED Light source

- LED light source providing high luminous efficacy and long service life
- Color temperature up to 4000K/5700K and color rendering index up to 70Ra/90Ra
- Multiple options of light distributions
- Fitted with a dimmer (1-10V) for light adjustment
- Surge resistance: 10KV

	14kV Surge resistance	140 lm / W	IP 66			
--	---------------------------------	----------------------	--------------	--	--	--



DIMENSION DRAWINGS

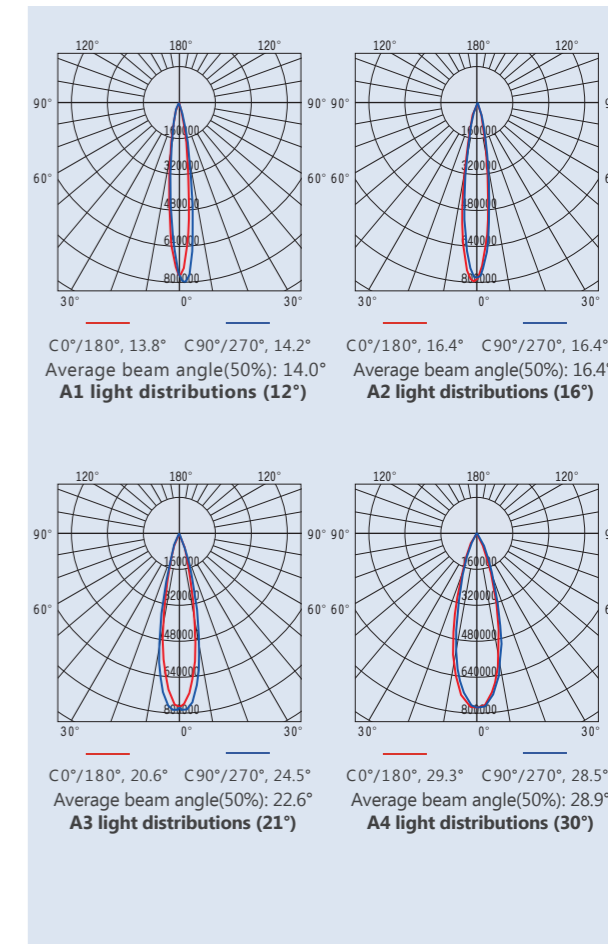


TECHNICAL DATA

Certification	International approvals CCC
Conformity to standards	IEC60598
Material	
Body material	Aluminum alloy with epoxy powder coating
Diffuser	Polycarbonate
Light source	
Wattage	1200 W
Type	LED
Luminous efficiency	140 lm / W
Life	50000 h
Rated voltage	220 V - 240 V AC 50 Hz / 60 Hz
Dimmer	1 V - 10 V
Maximum protected area	0.32 m ²
Class of insulation	Class I
Cable entry	G3/4
Operating temperature	-20 °C to +55 °C
Degree of protection	IP 66
Corrosion-proof class	WF2

PHOTOMETRIC DATA

NTC9222 1200 W
LED photometric data
Luminous intensity distribution cd / 1000 lm



We can provide lighting design and data by professional lighting software based upon simulated site situation on request.

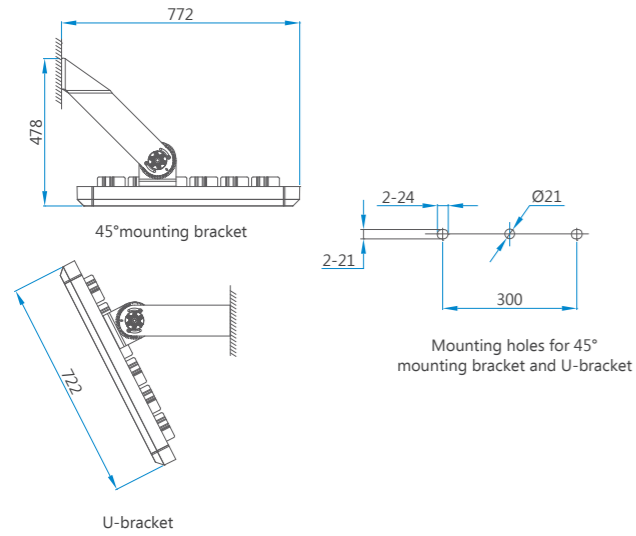
SELECTION TABLE

Model	Lamp power (W)	Lamp type	Operating current (A)	Color temperature (K)	Weight (kg)
NTC9222/1200/LED	1200	LED	5.7	4000	28.9(light fitting body) 19.1(driver case)
NTC9222/1200/LED	1200	LED	5.7	7000	28.9(light fitting body) 19.1(driver case)

MOUNTING TYPE

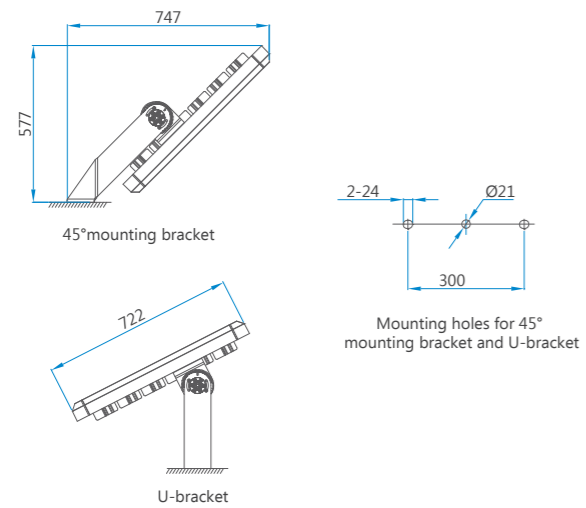
*all dimensions in mm

Wall mount



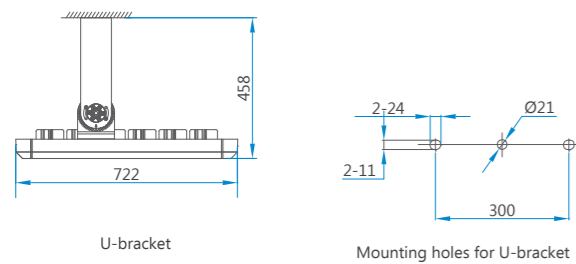
Accessories				
No.	Name	Spec.	Qty.	Remark
1	Expansion bolt (with nut, flat washer and spring washer)	M20 × 100	2	Provided by user

Seat mount



Accessories				
No.	Name	Spec.	Qty.	Remark
1	Expansion bolt (with nut, flat washer and spring washer)	M20 × 100	2	Provided by user

Ceiling mount



Accessories				
No.	Name	Spec.	Qty.	Remark
1	Expansion bolt (with nut, flat washer and spring washer)	M20 × 100	2	Provided by user

SPARE PARTS

Name	Picture	Ordering code	Weight (kg)
LED driver		1305010089	2.48

APPLICATIONS

Suitable for illumination of ports, shipyards, stadiums, airports, railways and other indoor or outdoor locations.



NTC9280 LED SPOTLIGHT



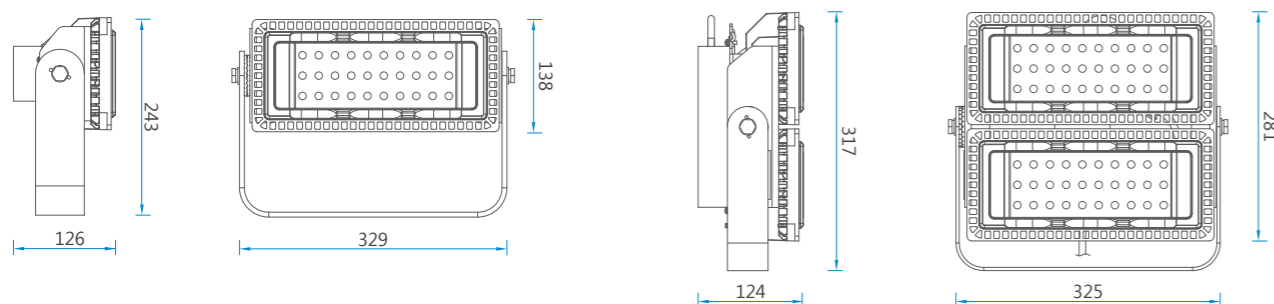
- LED light source featuring high luminous efficacy and energy saving
- Four types of light distributions, fulfilling requirements of different locations
- Suitable for seat mount, wall mount, ceiling mount and pendant mount, etc.
- Degree of protection: IP 65

140 lm / W	IP 65	Seat mount	Wall mount	Ceiling mount	Pendant mount
----------------------	--------------	------------	------------	---------------	---------------



DIMENSION DRAWINGS

*all dimensions in mm

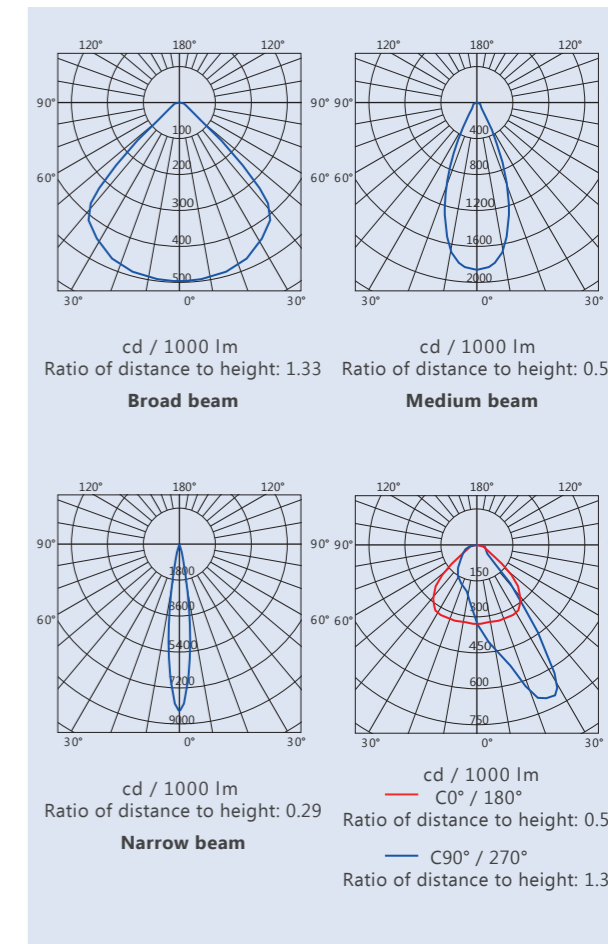


TECHNICAL DATA

Certification	
International approvals	CU-TR, CB, CE, CCC
Conformity to standards	IEC60598
Material	
Body material	Aluminum alloy with epoxy powder coating
Diffuser	Polycarbonate
Light source	
Wattage	110 W, 200 W
Type	LED
Luminous efficiency	140 lm / W
Life	100000 h
Rated voltage	220 V - 240 V AC 50 Hz / 60 Hz
Class of insulation	Class I
Cable entry	G3/4
Operating temperature	-20 °C to +55 °C
Degree of protection	IP 65
Corrosion-proof class	WF2

PHOTOMETRIC DATA

NTC9280 110 W, 200 W
LED photometric data
Luminous intensity distribution cd / 1000 lm



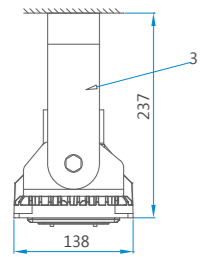
We can provide lighting design and data by professional lighting software based upon simulated site situation on request.

SELECTION TABLE

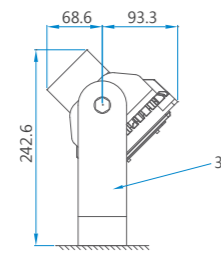
Model	Lamp power (W)	Lamp type	Operating current (A)	Color temperature (K)	Weight (kg)
NTC9280/110/LED	110	LED	0.7	2700 - 3300 (warm white)	5.5
NTC9280/110/LED	110	LED	0.7	5000 - 6000 (cool white)	5.5
NTC9280/200/LED	200	LED	0.7	2700 - 3300 (warm white)	8.35
NTC9280/200/LED	200	LED	0.7	5000 - 6000 (cool white)	8.35

MOUNTING TYPE

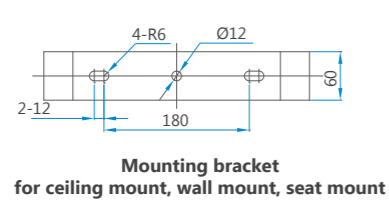
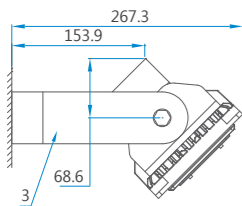
Ceiling mount (110W)



Seat mount (110W)

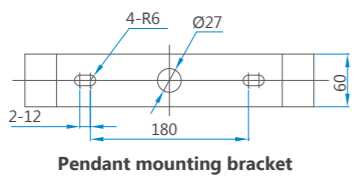
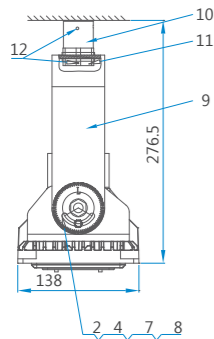


Wall mount (110W)



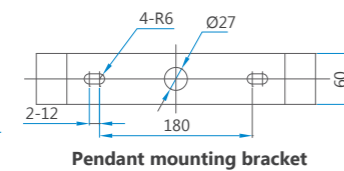
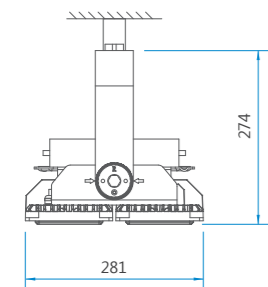
Mounting bracket for ceiling mount, wall mount, seat mount

Pendant mount (110W)



Pendant mounting bracket

Pendant mount (200W)



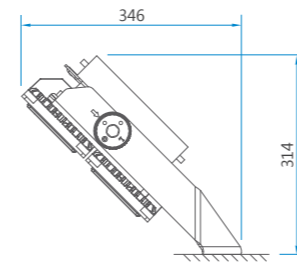
Pendant mounting bracket

*all dimensions in mm

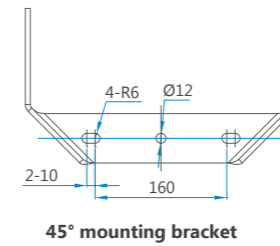
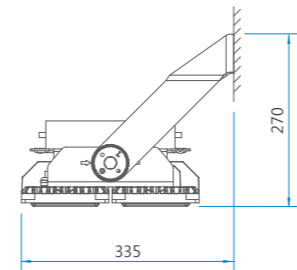
Accessories for ceiling mount, wall mount, seat mount				
No.	Name	Spec.	Qty.	Remark
1	Setting dial		1	Provided by manufacturer
2	Cross-head screw	M4 × 8	2	
3	6 mm U bracket		1	
4	Hex cap bolt	M10 × 40	2	
5	Hex nut	M10	2	
6	Standard spring washer	10	2	
7	Flat washer	10	2	

Accessories for pendant mount				
No.	Name	Spec.	Qty.	Remark
1	Hex cap bolt	M10 × 40	2	Provided by manufacturer
2	Hex cap bolt	M5 × 20	2	
3	Hex nut	M10	2	
4	Hex nut	M5	2	
5	Standard spring washer	10	2	
6	Flat washer	10	2	
7	Standard spring washer	5	2	
8	Flat washer	5	2	Accessories should be ordered separately.
9	4 mm U bracket		1	
10	Pipe mount connector	G3/4	1	
11	G3/4 pipe adapter	G3/4	1	
12	Set screw	M4 × 6	2	

Seat mount (200W)

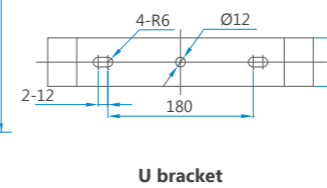
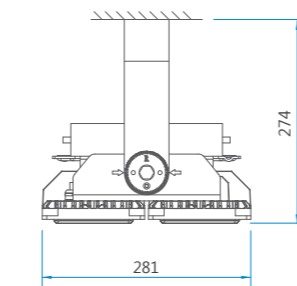


Wall mount (200W)



45° mounting bracket

Ceiling mount (200W)



U bracket

Accessories for ceiling mount, wall mount, seat mount				
No.	Name	Spec.	Qty.	Remark
1	Setting dial		1	Provided by manufacturer
2	Cross-head screw	M4 × 8	2	
3	6 mm U bracket		1	
4	Hex cap bolt	M10 × 40	2	
5	Hex nut	M10	2	
6	Standard spring washer	10	2	
7	Flat washer	10	2	
8	45° mounting bracket		1	

Accessories				
No.	Name	Spec.	Qty.	Remark
1	Expansion bolt (with nut, flat washer and spring washer)	M14 × 100	2	Provided by user
2	Accessory package for indoor mounting use		1	Accessories should be ordered separately.
3	U bracket for indoor mounting use		1	
4	Accessory package for outdoor mounting use		1	Accessories should be ordered separately.
5	U bracket for outdoor mounting use		1	

SPARE PARTS

Name	Picture	Ordering code	Weight (kg)
Light source - 110 W		1311010303	0.11
Light source - 200 W		1311010335	0.13
LED driver - 110 W		1305020049	0.47
LED driver - 200 W		1305020051	0.56

APPLICATIONS

Suitable for illumination of ports, shipyards, stadiums, airports, railways and other indoor or outdoor locations.



NTC9280A LED SPOTLIGHT

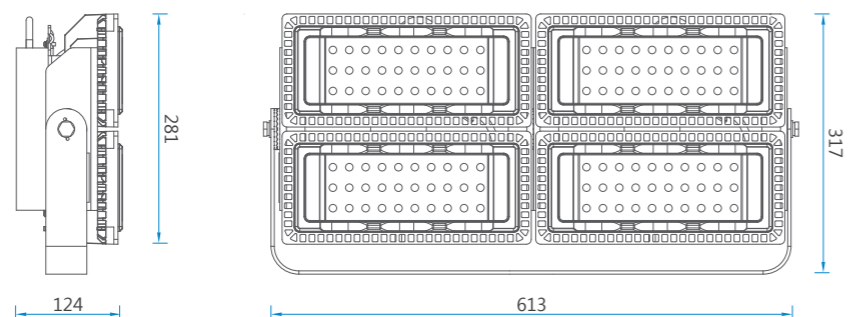


- LED light source featuring high luminous efficacy and energy saving
- Four types of light distributions, fulfilling requirements of different locations
- Suitable for seat mount, wall mount, ceiling mount and pendant mount, etc.
- Degree of protection: IP 65

140 lm / W	IP 65	Seat mount	Wall mount	Ceiling mount	Pendant mount
----------------------	--------------	------------	------------	---------------	---------------



DIMENSION DRAWINGS



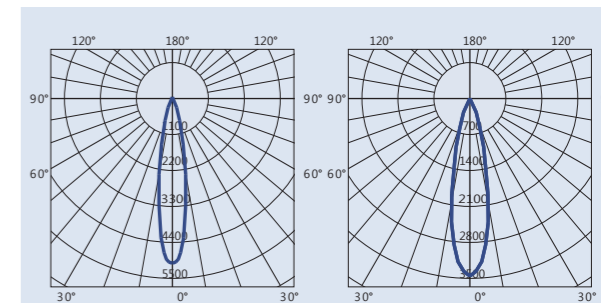
*all dimensions in mm

TECHNICAL DATA

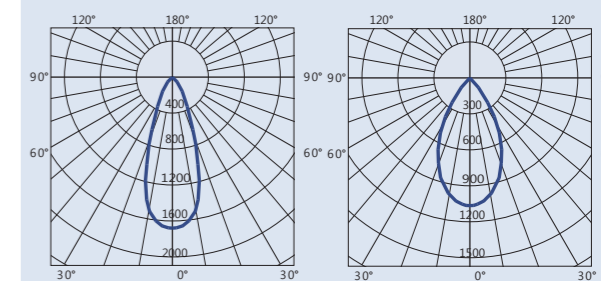
Certification	
International approvals	CB, CE, CCC
Conformity to standards	IEC60598
Material	
Body material	Aluminum alloy with epoxy powder coating
Diffuser	Polycarbonate
Light source	
Wattage	410 W
Type	LED
Luminous efficiency	140 lm / W
Life	100000 h
Rated voltage	220 V - 240 V AC 50 Hz / 60 Hz
Class of insulation	Class I
Cable entry	G3/4
Operating temperature	-20 °C to +55 °C
Degree of protection	IP 65
Corrosion-proof class	WF2

PHOTOMETRIC DATA

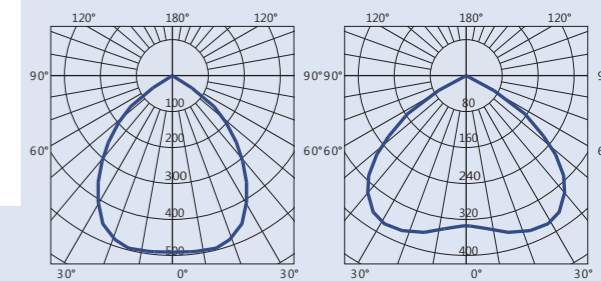
NTC9280A 410 W
LED photometric data
Luminous intensity distribution cd / 1000 lm



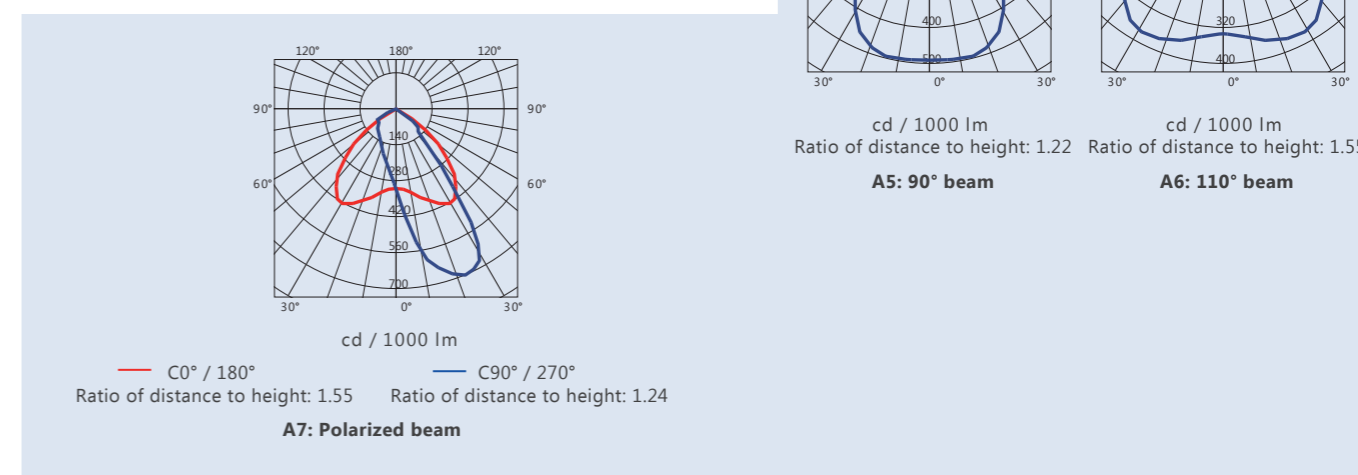
cd / 1000 lm Ratio of distance to height: 0.31 **A1: 15° beam**
cd / 1000 lm Ratio of distance to height: 0.39 **A2: 25° beam**



cd / 1000 lm Ratio of distance to height: 0.59 **A3: 40° beam**
cd / 1000 lm Ratio of distance to height: 0.75 **A4: 60° beam**



cd / 1000 lm Ratio of distance to height: 1.22 **A5: 90° beam**
cd / 1000 lm Ratio of distance to height: 1.55 **A6: 110° beam**



— C0° / 180° Ratio of distance to height: 1.55
— C90° / 270° Ratio of distance to height: 1.24
A7: Polarized beam

We can provide lighting design and data by professional lighting software based upon simulated site situation on request.

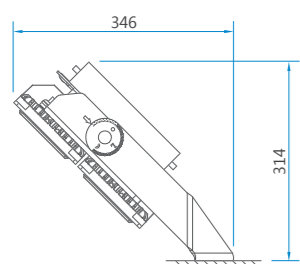
SELECTION TABLE

Model	Lamp power (W)	Lamp type	Operating current (A)	Color temperature (K)	Weight (kg)
NTC9280A/410/LED	410	LED	0.35	5000 - 6500	16.8

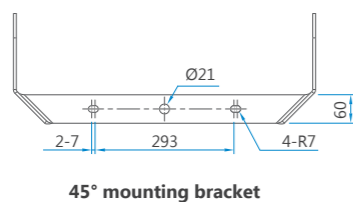
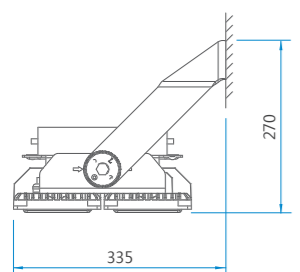
MOUNTING TYPE

*all dimensions in mm

Seat mount

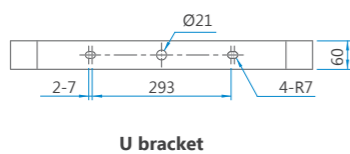
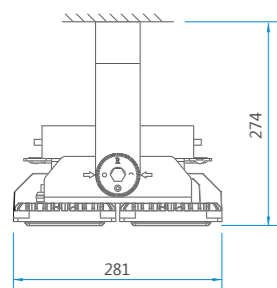


Wall mount



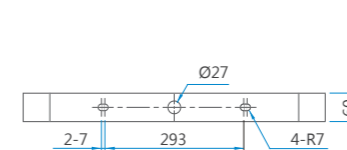
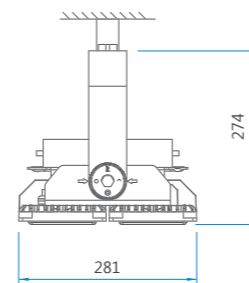
Accessories for seat mount and wall mount				
No.	Name	Spec.	Qty.	Remark
1	Expansion bolt (with nut, flat washer and spring washer)	M14 × 100	2	Provided by user
2	Accessory package for indoor mounting use		1	Accessories should be ordered separately.
3	45° mounting bracket for indoor mounting use		1	
4	U bracket for indoor mounting use		1	
5	Accessory package for outdoor mounting use		1	Accessories should be ordered separately.
6	45° mounting bracket for outdoor mounting use		1	
7	U bracket for outdoor mounting use		1	

Ceiling mount



Accessories				
No.	Name	Spec.	Qty.	Remark
1	Expansion bolt (with nut, flat washer and spring washer)	M14 × 100	2	Provided by user
2	Accessory package for indoor mounting use		1	Accessories should be ordered separately.
3	U bracket for indoor mounting use		1	
4	Accessory package for outdoor mounting use		1	Accessories should be ordered separately.
5	U-bracket for outdoor mounting use		1	

Pendant mount



Pendant mounting bracket

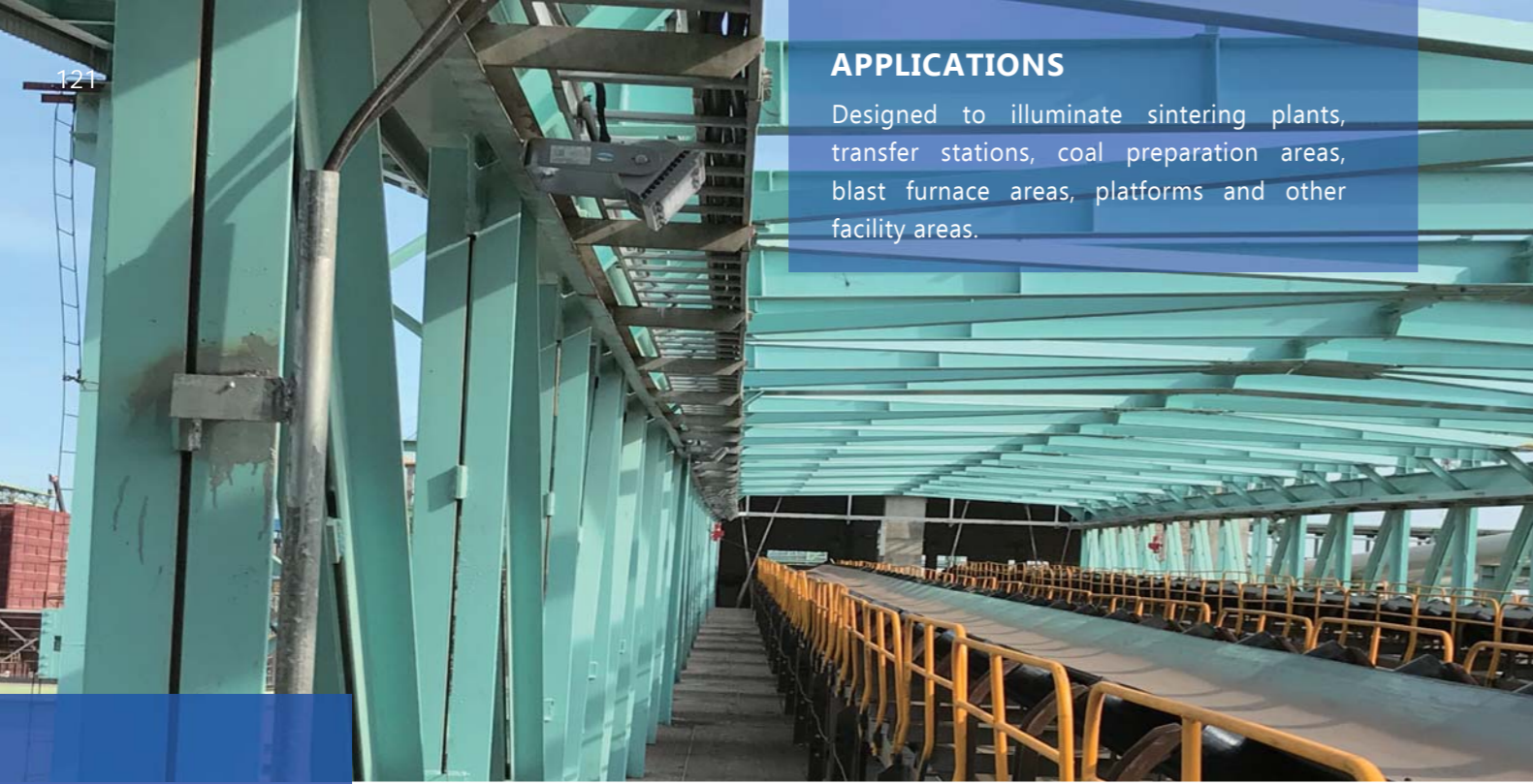
Accessories				
No.	Name	Spec.	Qty.	Remark
1	Pipe	Ø26	2	Provided by user
2	Accessory package for indoor mounting use		1	Accessories should be ordered separately.
3	Pendant bracket for indoor mounting use		1	

SPARE PARTS

Name	Picture	Ordering code	Weight (kg)
Light source - 410 W		1305010062	0.11
LED driver		1311010366	0.75

APPLICATIONS

Designed to illuminate sintering plants, transfer stations, coal preparation areas, blast furnace areas, platforms and other facility areas.



NFC9281 LED SPOTLIGHT



- LED light source providing high luminous efficacy and long service life
- Suitable for wall mounting and ceiling mount
- Degree of protection up to IP65

140
lm / W

IP 65

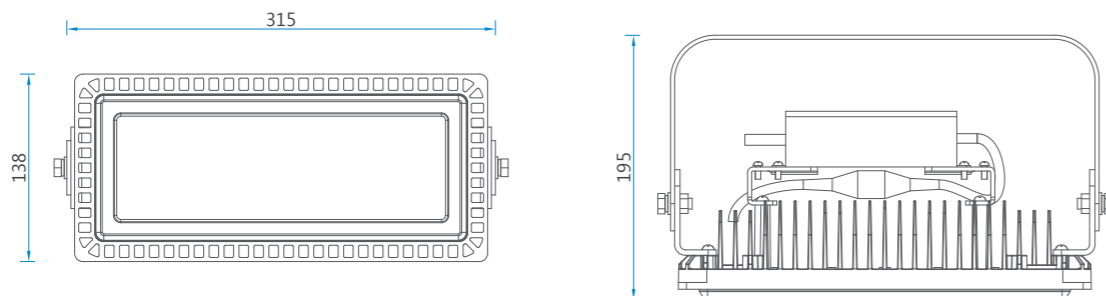
Wall
mount

Ceiling
mount



DIMENSION DRAWINGS

*all dimensions in mm

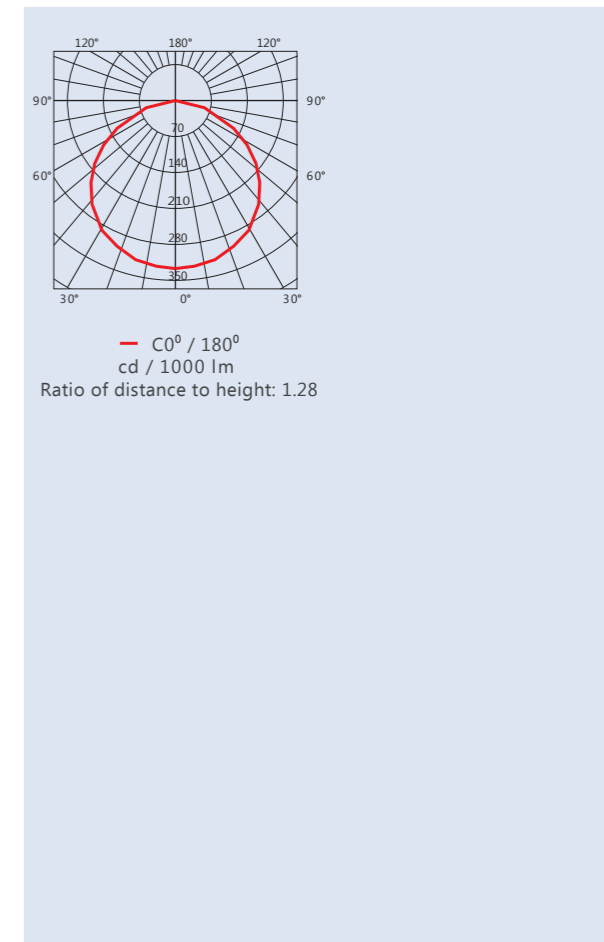


TECHNICAL DATA

Certification	
International approvals	CU-TR, CB, CE, CCC
Conformity to standards	IEC60598
Material	
Body material	Aluminum alloy with epoxy powder coating
Diffuser	Tempered glass
Light source	
Wattage	50 W, 70 W
Type	LED
Luminous efficiency	140 lm / W
Life	50000 h
Rated voltage	220 V - 240 V AC 50 Hz / 60 Hz
Class of insulation	Class I
Cable entry	G3/4
Operating temperature	-20 °C to +55 °C
Degree of protection	IP 65
Corrosion-proof class	WF2

PHOTOMETRIC DATA

NFC9281 50 W, 70 W
LED photometric data
Luminous intensity distribution cd / 1000 lm



We can provide lighting design and data by professional lighting software based upon simulated site situation on request.

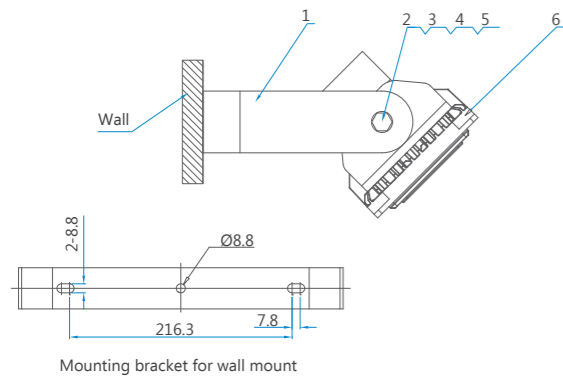
SELECTION TABLE

Model	Lamp power (W)	Lamp type	Operating current (A)	Color temperature (K)	Weight (kg)
NFC9281/50/LED	50	LED	0.2	5500 - 6500	4.0
NFC9281/70/LED	70	LED	0.3	5500 - 6500	4.0

MOUNTING TYPE

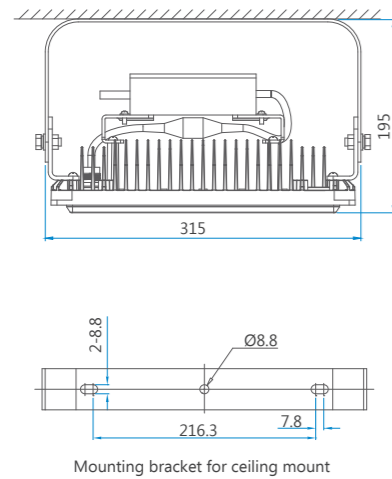
Wall mount

*all dimensions in mm



Accessories				
No.	Name	Spec.	Qty.	Remark
1	Mounting bracket		1	Provided by manufacturer
2	Hex screw	M8 × 20	1	
3	Spring washer	M8	2	
4	Washer	M8	2	
5	Hex nut	M8	2	

Ceiling mount



Accessories				
No.	Name	Spec.	Qty.	Remark
1	Mounting bracket		1	Provided by manufacturer
2	Hex screw	M8 × 20	1	
3	Spring washer	M8	2	
4	Washer	M8	2	
5	Hex nut	M8	2	

SPARE PARTS

Name	Picture	Ordering code	Weight (kg)
LED driver - 50 W		1305020075	0.58
LED driver - 70 W		1305030076	0.92

APPLICATIONS

Suitable for illumination of roads in the plants, freeways, expressways, major roads, collector roads, etc.



NLC9615

LED ROAD LIGHT FITTING



- LED light source, high luminous efficacy and long life
- Professional design of light distribution for road lighting
- High degree of reliability for outdoor use
- Excellent heat dissipation
- Light-weight design and simple installation

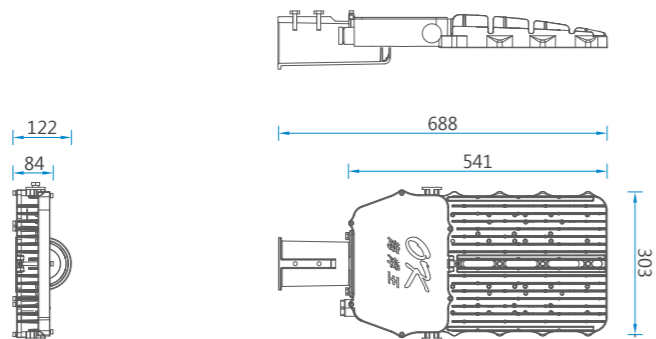
140
lm / W

IP
65



DIMENSION DRAWINGS

*all dimensions in mm

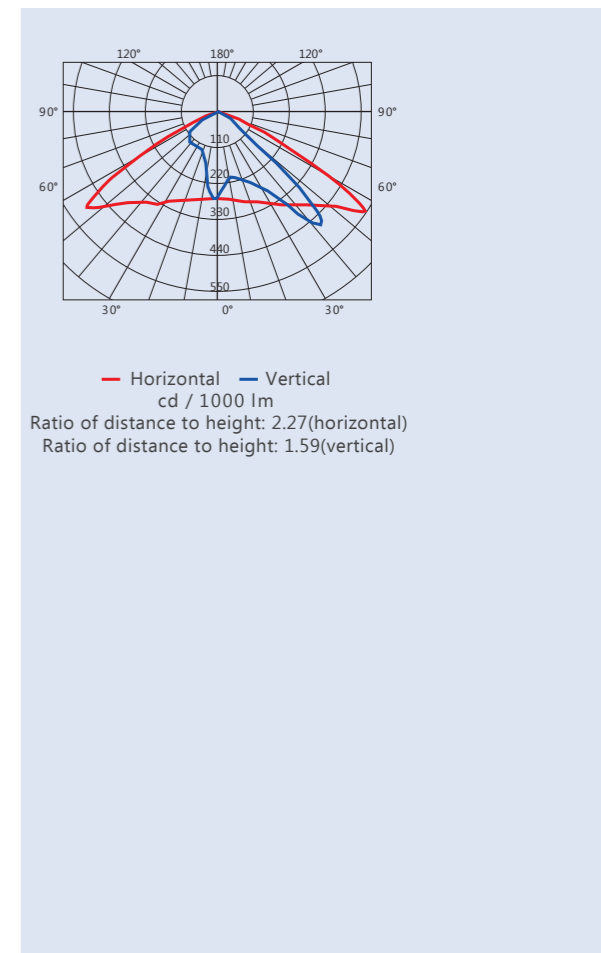


TECHNICAL DATA

Certification	
International approvals	CE, CCC
Conformity to standards	IEC 60079 / IEC 60598
Material	
Body material	Aluminum alloy with epoxy powder coating
Diffuser	Tempered glass
Light source	
Wattage	70 W / 100 W / 150 W
Type	LED
Luminous efficiency	140 lm / W
Life	100000 h
Rated voltage	220 V - 240 V AC 50 Hz / 60 Hz
Class of insulation	Class I
Mounting height	6 m - 8 m
Degree of protection	IP 65
Operating temperature	-20 °C to +55 °C
Cable entry	G3/4
Corrosion-proof class	WF2

PHOTOMETRIC DATA

NLC9615 70 W / 100 W / 150 W
LED photometric data
Luminous intensity distribution cd / 1000 lm



We can provide lighting design and data by professional lighting software based upon simulated site situation on request.

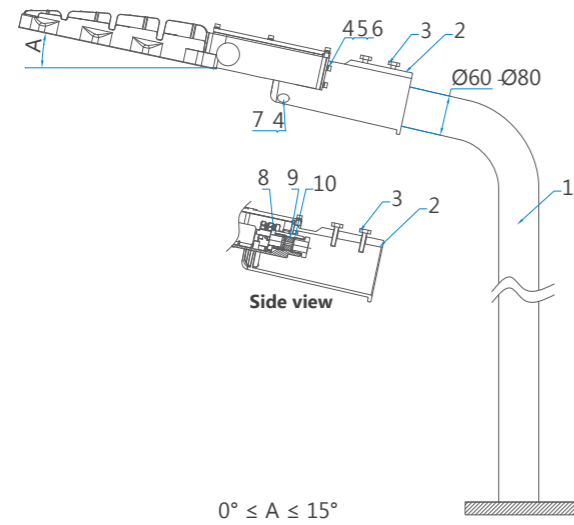
SELECTION TABLE

Model	Lamp power (W)	Lamp type	Operating current (A)	Color temperature (K)	Weight (kg)
NLC9615/70/LED	70	LED	0.3	5000 - 7000	8.8
NLC9615/100/LED	100	LED	0.5	5000 - 7000	9.2
NLC9615/150/LED	150	LED	0.7	5000 - 7000	9.4

MOUNTING TYPE



Pole mount

*all dimensions in mm



Accessories				
No.	Name	Spec.	Qty.	Remark
1	Pole	Ø60 - Ø80	1	Provided by user
2	Mounting pole	Ø60 - Ø80	1	Provided by manufacturer
3	Screw(with spring washer)	M10 × 50	2	
4	Screw(with spring washer)	M6 × 18	8	
5	Standard spring washer	6	4	
6	Flat washer	6	4	
7	External serrated lock washer	M6	2	
8	Gland nut	G 3/4	1	
9	Sealing ring 1	Ø7 - Ø8	1	Accessories should be ordered separately.
	Sealing ring 2	Ø9 - Ø10	1	
	Sealing ring 3	Ø11 - Ø12	1	
	Sealing ring 4	Ø13 - Ø14	1	
10	Washer		2	Provided by manufacturer

SPARE PARTS

Name	Picture	Ordering code	Weight (kg)
LED drive - 70 W / 150 W		1333050017	0.64
LED drive - 100 W		1333020026	0.94

APPLICATIONS

Suitable for illumination of roads in the plant areas and roads in other areas.



NLC9616 LED ROAD LAMP SERIES



- LED light source providing high luminous efficacy and long service life
- Multiple type options: standard type, the type fitted with a dimmer, and the type fitted with a time switch
- Degree of protection IP65 and degree of corrosion resistance WF2
- Lightning strike protections
- Low weight allowing for easy installation

140
lm / W

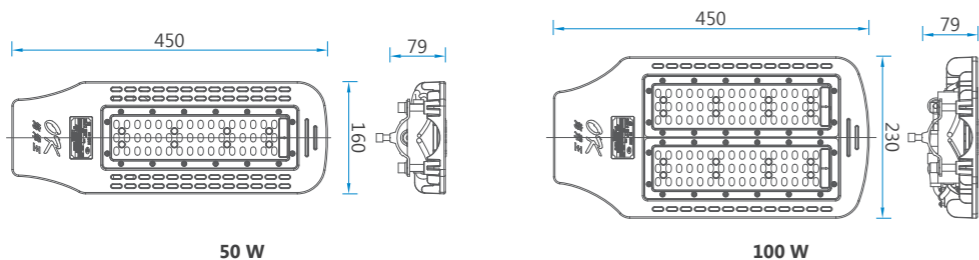
IP 65

Pole mount



DIMENSION DRAWINGS

*all dimensions in mm

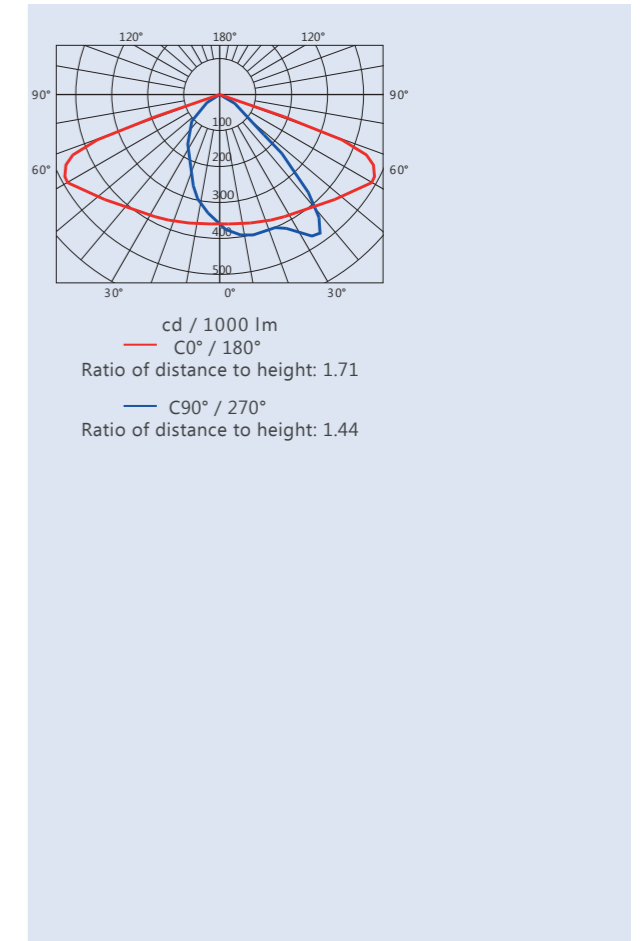


TECHNICAL DATA

Certification	International approvals CU-TR, CB, CE, CCC
Conformity to standards	IEC60598
Material	
Body material	Aluminum alloy with epoxy powder coating
Diffuser	Polycarbonate
Light source	
Wattage	50 W, 100 W
Type	LED
Luminous efficiency	140 lm / W
Life	100000 h
Rated voltage	220 V - 240 V AC 50 Hz / 60 Hz
Class of insulation	Class I
Mounting height	4 m - 6 m(50 W) 6 m - 8 m(100 W)
Cable entry	G3/4
Operating temperature	-20 °C to +55 °C
Degree of protection	IP 65
Corrosion-proof class	WF2

PHOTOMETRIC DATA

NLC9616 50 W, 100 W
LED photometric data
Luminous intensity distribution cd / 1000 lm



We can provide lighting design and data by professional lighting software based upon simulated site situation on request.

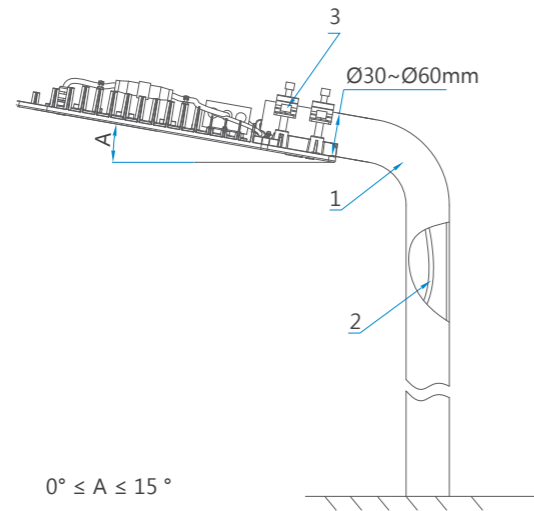
SELECTION TABLE

Model	Lamp power (W)	Lamp type	Operating current (A)	Color temperature (K)	Weight (kg)
NLC9616/50/LED	50	LED	0.7	4900 - 5700	2.5
NLC9616/100/LED	100	LED	0.7	4900 - 5700	3.6
NLC9616/50/LED/K1	50	LED	0.7	4900 - 5700	2.5
NLC9616/50/LED/K2	50	LED	0.7	4900 - 5700	2.5
NLC9616/100/LED/K1	100	LED	0.7	4900 - 5700	3.6
NLC9616/100/LED/K2	100	LED	0.7	4900 - 5700	3.6

MOUNTING TYPE

Pole mount

*all dimensions in mm



Accessories				
No.	Name	Spec.	Qty.	Remark
1	Pole	Ø30 - Ø60	1	Provided by user
2	Three - core cable	Ø7 - Ø10	Determined by user	
3	Hex screw	M10 x 30	4	Provided by manufacturer
4	Clamp		4	Used for Ø30 - Ø45 pole(ordered separately)

SPARE PARTS

Name	Picture	Ordering code	Weight (kg)
Adjustable light - 50 W		1333020062	0.54
LED drive - 50 W		1333020063	0.48
The clock adjusts the optical drive - 50 W		1333020064	0.50
Adjustable light - 100 W		1333010066	0.66
LED drive - 100 W		1333010068	0.64
The clock adjusts the optical drive - 100 W		1333010067	0.70

APPLICATIONS

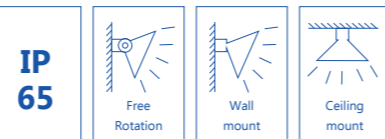
Suitable for illuminating plant areas, yards, large-scale facilities, stadiums, tunnels, roads, bridges, etc.



NSC9720/NFL FLOODLIGHT

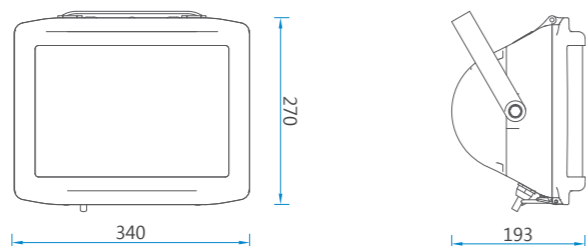


- LED light source providing high luminous efficacy and long service life up to 100000 hours
- Available with multiple mounting options such as seat mount, ceiling mount and wall mount
- Degree of protection IP65
- Suitable for railway tunnels applications



DIMENSION DRAWINGS

*all dimensions in mm

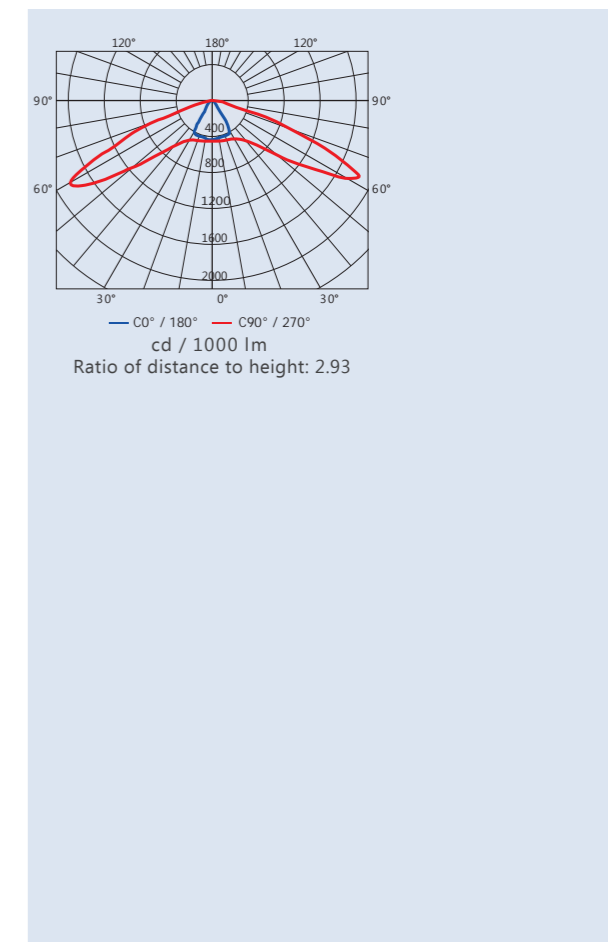


TECHNICAL DATA

Certification	
International approvals	CCC
Conformity to standards	IEC60598
Material	
Body material	Aluminum alloy with epoxy powder coating
Diffuser	Tempered glass
Light source	
Brand	OSRAM
Wattage	36 W
Type	LED
Luminous efficiency	140 lm / W
Life	100000 h
Rated voltage	220 V - 240 V AC 50 Hz / 60 Hz
Class of insulation	Class I
Cable entry	G3/4
Operating temperature	-20 °C to +55 °C
Degree of protection	IP 65
Corrosion-proof class	WF2

PHOTOMETRIC DATA

NSC9720/NFL 36 W
LED photometric data
Luminous intensity distribution cd / 1000 lm



We can provide lighting design and data by professional lighting software based upon simulated site situation on request.

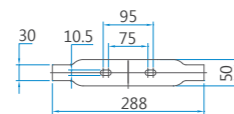
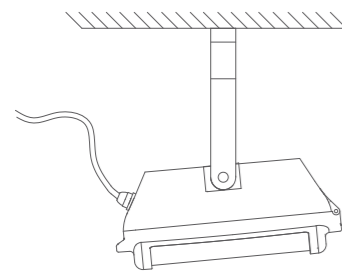
SELECTION TABLE

Model	Lamp power (W)	Lamp type	Operating current (A)	Color temperature (K)	Weight (kg)
NSC9720/NFL/36/LED	36	LED	0.7	6000 - 9000	4.3

MOUNTING TYPE

Ceiling mount

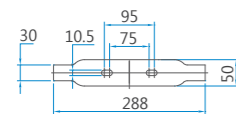
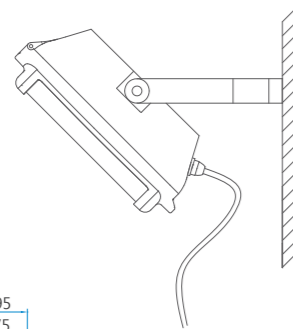
*all dimensions in mm



Mount holes

Accessories				
No.	Name	Spec.	Qty.	Remark
1	Expansion bolt (with nut, flat washer and spring washer)	M10	2	Provided by user
2	Three-core cable	Ø6 - Ø8	Determind by user	

Wall mount



Mount holes

Accessories				
No.	Name	Spec.	Qty.	Remark
1	Expansion bolt (with nut, flat washer and spring washer)	M10	2	Provided by user
2	Three-core cable	Ø6 - Ø8	Determind by user	

SPARE PARTS

Name	Picture	Ordering code	Weight (kg)
LED driver		1311050198	0.38

APPLICATIONS

Suitable for use in workshops, good yards, warehouse with 6 meters to 10 meters of height.



NGC9822 LED HIGH BAY LIGHT FITTING

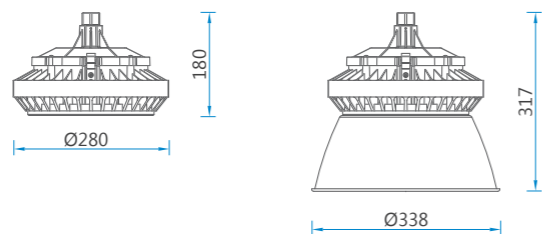
- High efficiency and low energy consumption
- Free from glare
- Suitable for hook mounting and pendant mounting
- Degree of protection: IP 65



140 lm / W	Anti-glare	IP 65	Pendant mounting	Hook mounting
----------------------	------------	--------------	------------------	---------------

DIMENSION DRAWINGS

*all dimensions in mm

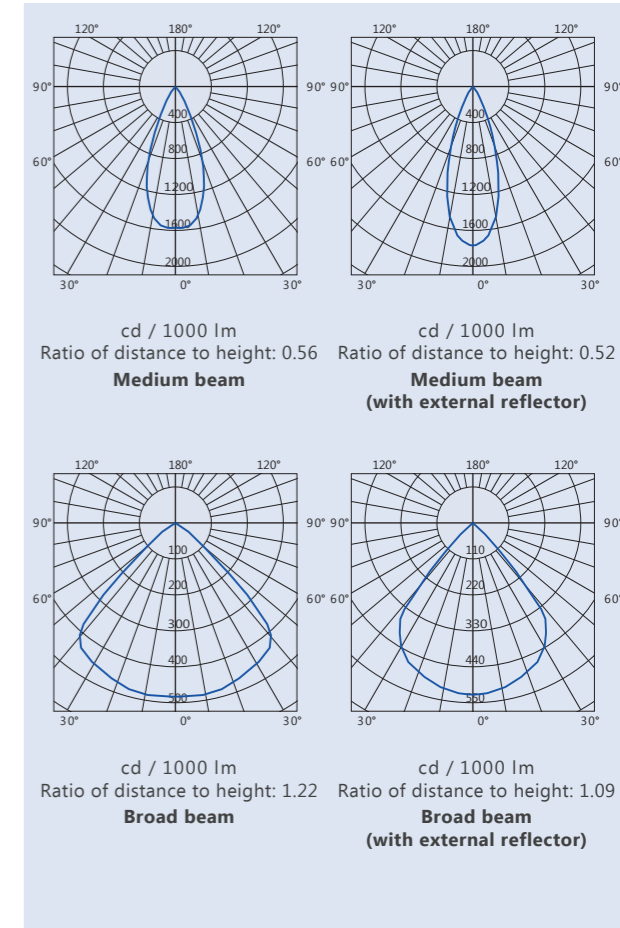


TECHNICAL DATA

Certification	
International approvals	CE, SASO, CCC
Conformity to standards	IEC60598
Material	
Body material	Aluminum alloy with epoxy powder coating
Diffuser	Polycarbonate
Light source	
Wattage	100 W
Type	LED
Luminous efficiency	140 lm / W
Life	100000 h
Rated voltage	220 V - 240 V AC 50 Hz / 60 Hz
Class of insulation	Class I
Cable entry	G3/4
Operating temperature	-20 °C to +55 °C
Degree of protection	IP 65
Corrosion-proof class	WF2

PHOTOMETRIC DATA

NGC9822 100 W
LED photometric data
Luminous intensity distribution cd / 1000 lm



We can provide lighting design and data by professional lighting software based upon simulated site situation on request.

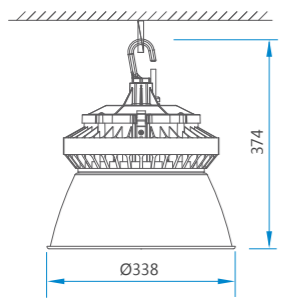
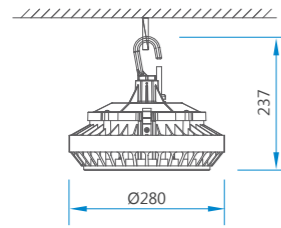
SELECTION TABLE

Model	Lamp power (W)	Lamp type	Operating current (A)	Color temperature (K)	Weight (kg)
NGC9822/100/LED/MB	100	LED	0.7	5000 - 6500	5.0
NGC9822/100/LED/BB	100	LED	0.7	5000 - 6500	5.0
NGC9822/100/LED/MB/WER	100	LED	0.7	5000 - 6500	5.4
NGC9822/100/LED/BB/WER	100	LED	0.7	5000 - 6500	5.4

MOUNTING TYPE

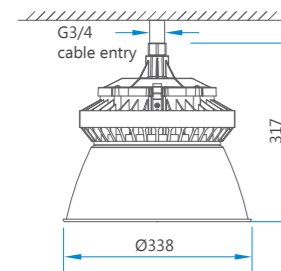
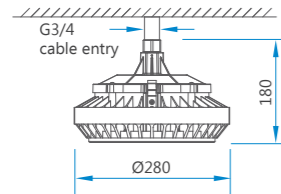
Hook mount

*all dimensions in mm



Accessories				
No.	Name	Spec.	Qty.	Remark
1	Hook		1	Provided by manufacturer
2	Cross-head screw	M4 × 23.3	1	
3	Filling		1	
4	Washer		1	
5	Hex cap bolt	M10 × 20	1	Accessories should be ordered separately.
6	Spring washer	10	1	
7	Flat washer	10	1	
8	Fall prevention chain	10	1	
9	Safety buckle	Ø4 × 40	1	Accessories should be ordered separately.
10	Cross-head screw	M4 × 12	3	
11	External reflector		1	

Pendant mount



Accessories				
No.	Name	Spec.	Qty.	Remark
1	Pipe	G3/4	1	Provided by user
2	Three-core cable	Ø8 -Ø10	1	
3	Set screw	M4 × 6	2	Provided by manufacturer
4	Adapter			
5	Filling	Ø10	1	
6	Washer		1	Accessories should be ordered separately.
7	Hex cap bolt	M10 × 20	1	
8	Spring washer	10	1	
9	Flat washer	10	1	
10	Fall prevention chain	10	1	Accessories should be ordered separately.
11	Safety buckle	Ø4 × 40	1	
12	Cross-head screw	M4 × 12	3	
13	External reflector		1	

SPARE PARTS

Name	Picture	Ordering code	Weight (kg)
Light source - 100W		1311010329	0.15
LED driver		1305030047	0.66

APPLICATIONS

Suitable for use in indoor stadiums, exhibition halls, workshops, goods yards, warehouses, supermarkets, etc.



NGC9823(A) LED HIGH BAY LIGHT FITTING

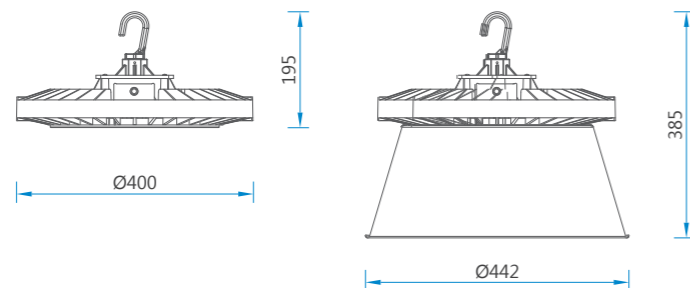


- Integrated with dimming interface (1 V - 10 V)
- High efficiency and low energy consumption
- Free from glare
- Suitable for hook mounting, pendant mounting and U-bracket mounting
- Degree of protection: IP 65
- Suitable for 10 m to 14 m mounting height

Intelligent dimmer	140 lm / W	Anti-glare	IP 65	Pendant mounting	Hook mounting	U-bracket mounting
--------------------	----------------------	------------	--------------	------------------	---------------	--------------------



DIMENSION DRAWINGS



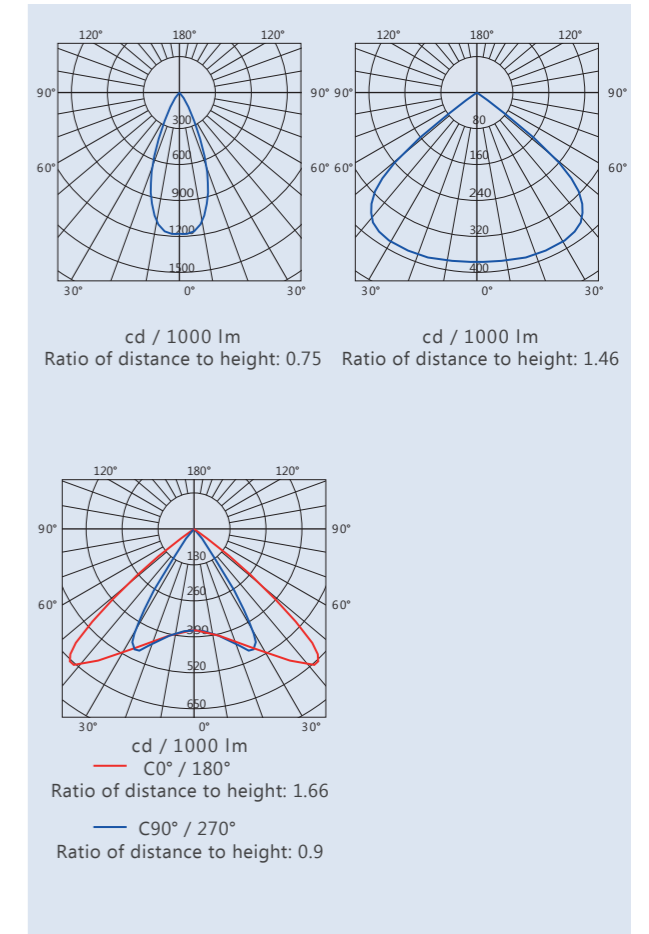
*all dimensions in mm

TECHNICAL DATA

Certification	International approvals CB, CE, SASO, CCC
Conformity to standards	IEC60598
Material	Body material Aluminum alloy with epoxy powder coating
	Diffuser Polycarbonate
Light source	Wattage 230 W
	Type LED
	Luminous efficiency 140 lm / W
	Life 100000 h
Rated voltage	220 V - 240 V AC 50 Hz / 60 Hz
Class of insulation	Class I
Cable entry	G3/4
Operating temperature	-20 °C to +55 °C
Degree of protection	IP 65
Corrosion-proof class	WF2

PHOTOMETRIC DATA

NGC9823(A) 230 W
LED photometric data
Luminous intensity distribution cd / 1000 lm



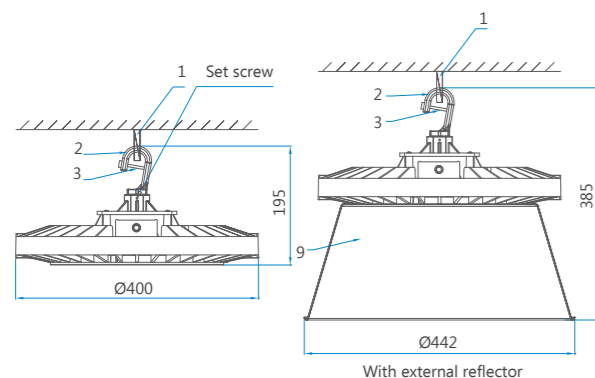
We can provide lighting design and data by professional lighting software based upon simulated site situation on request.

SELECTION TABLE

Model	Lamp power (W)	Lamp type	Operating current (A)	Color temperature (K)	Weight (kg)
NGC9823/230/LED	230	LED	1	5000 - 7000	5.5
NGC9823A/230/LED	230	LED	1	5000 - 7000	5.5

MOUNTING TYPE

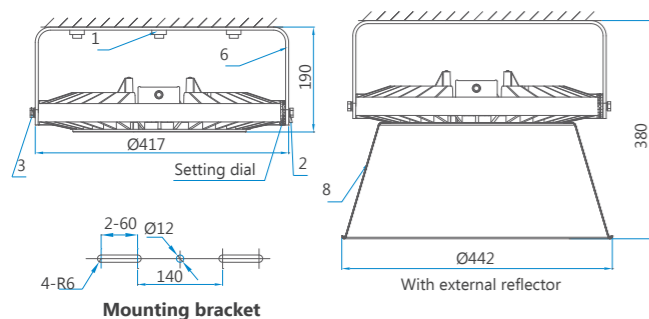
Hook mount



*all dimensions in mm

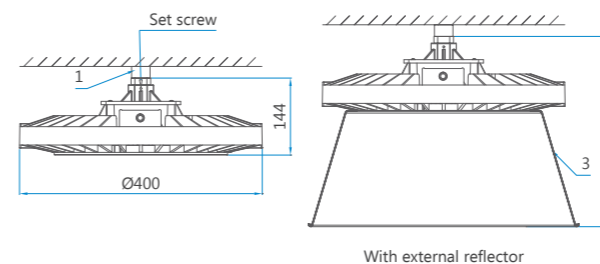
Accessories				
No.	Name	Spec.	Qty.	Remark
1	Hook		1	Provided by manufacturer
2	Cross-head screw	M4 × 23.3	1	Accessories should be ordered separately.
3	Hex cap bolt	M10 × 20	1	
4	Spring washer	10	1	
5	Fall prevention chain		1	
6	Safety buckle	Ø4 × 40	1	
7	Cross-head screw	M4 × 12	3	
8	External reflector		1	

U bracket mount



Accessories				
No.	Name	Spec.	Qty.	Remark
1	Expansion bolt (with nut, flat washer and spring washer)	M12 × 80	3	Provided by user
2	Hex cap bolt	M10 × 30	1	Provided by manufacturer
3	Hex cap bolt	M10 × 20	1	
4	Flat washer	10	2	
5	Spring washer	10	2	
6	U bracket		1	
7	Cross-head screw	M4 × 12	3	
8	External reflector		1	
9	Hex cap bolt	M10 × 20	1	Accessories should be ordered separately.
10	Spring washer	10	1	
11	Fall prevention chain		1	
12	Safety buckle	Ø4 × 40	1	

Pendant mount



Accessories				
No.	Name	Spec.	Qty.	Remark
1	Pipe	G3/4	1	Provided by user
2	Cross-head screw	M4 × 12	3	Accessories should be ordered separately.
3	External reflector		1	
4	Hex cap bolt	M10 × 20	1	Accessories should be ordered separately.
5	Spring washer	10	1	
6	Fall prevention chain		1	
7	Safety buckle	Ø4 × 40	1	

SPARE PARTS

Name	Picture	Ordering code	Weight (kg)
Light source - 230 W		1311010349	0.16
LED driver		1305010055	0.72

Service network

- Serviced country / area
- 📍 Global Service Network
- Branch office



OCEAN'S KING LIGHTING HEADQUARTERS
 Company Add:22F,A Block, Neptunus Bldg.,
 Nanhai Road, Nanshan Shenzhen, China
 Postcode: 518054
 Telephone : +86 755 86037934
 Fax : +86 755 26406711
 Hotline of Service : +86 755 86037934
 Service complaints: +86 755 86037934
 E-mail:global@oceansking.com

OCEAN'S KING TECH LIMITED(HK)
 Company Add:FLATRM1107 11F SUN HUNG
 KAI CENTER 30 HARBOUR RD WANCHAI
 HONG KONG
 Telephone: +852 28779168
 Fax : +852 28772168
 E-mail: mictsang@gmail.com

MALAYSIA-REPRESENTATIVE OFFICE
 Contact person: Cloris Chen
 Phone: +60 12 2625352
 E-mail: clorischen@oceansking.com

INDONESIA-REPRESENTATIVE OFFICE
 Contact person: Emily Wu
 Phone: +0 812 85289844
 E-mail: wulm@oceansking.com

SAUDI ARABIA-REPRESENTATIVE OFFICE
 Contact person: Peter Liu
 Phone: +966 55 7727492
 E-mail: peterliu@oceansking.com

EUROPE	AFRICA	ASIA
1 : Estonia	1 : Gambia	1 : Georgia
2 : Latvia	2 : Guinea Bissau	2 : Azerbaijan
3 : Lithuania	3 : Bulgaria	3 : Armenia
4 : Czech Rep.	4 : Sierra Leone	4 : Lebanon
5 : Slovakia	5 : Liberia	5 : Cyprus
6 : Austria	6 : Ghana	6 : Israel/Palestine
7 : Hungary	7 : Togo	7 : Jordan
8 : Slovenia	8 : Benin	8 : Kuwait
9 : Bosnia & H.	9 : Eq. Guinea	9 : Bahrain
10 : Croatia	10 : Rwanda	10 : Qatar
11 : Yugoslavia	11 : Burundi	11 : Bangladesh
	12 : Malawi	12 : Brunei