

FSL

FSL



LIGHT UP THE WORLD

ISSUE 3

PRODUCT CATALOGUE
ISSUE 3

PRODUCT CATALOGUE



FOSHAN ELECTRICAL AND LIGHTING CO.,LTD.

📍 Add: FAH19 ,Dragon Mart1, International City, Dubai, UAE

✉ sales@ome-technology.com

🌐 www.ome-technology.com

FOSHAN ELECTRICAL AND LIGHTING CO.,LTD.

FSL

Foshan Electrical And Lighting Co.,Ltd (abbrev as Foshan Lighting as bellow) was established in 1958, located in north Fenjiang road, Foshan, China. As a professional and leading lighting manufacturer, Foshan Lighting owns five production bases, Foshan headquater (193,000 sqm), Nanhai Manufacturing Center (206,000 sqm), Gaoming Industrial Zone (895,000 sqm), Xinxiang factory (91,300 sqm) and Nanjing factory(136,000 sqm) with more than 200 production lines and over 10000 employees.

We produce a series of lighting products with high-quality, low cost and reasonable price. **"FSL"** has been a well-known trademark in the domestic as well as in the international market. We serve more than 200 customers from 80 countries and we believe that our innovation on the LED technology are enable to provide the best quality product and good services to every customer.



FOSHAN ELECTRICAL AND LIGHTING CO.,LTD.

ENTERPRISE QUALIFICATION CERTIFICATE





Beijing Olympic Central Park Landscape Lighting Project



Cherry Components Industry Zone in Eerduosi



Cherry Alto Showroom



Wanda Plaza

COMPANY PROFILE



PROJECTS



FSL Global Branding



Asia: Armenia Bahrain Bangladesh Cambodia Ghana Cyprus Iran Iraq Israel Jordan Kuwait Lebanon Malaysia Mongolia Myanmar Oman Pakistan Philippines Qatar Saudi Singapore Sri Lanka Thailand Turkey UAE Vietnam

Americas: Argentina Bolivia Chile Colombia Costa Rica Dominica Ecuador Guatemala Honduras Mexico Nicaragua Panama Peru Salvador United States

Europe: Bulgaria Czech Italy Kosovo Macedonia Poland Romania Russia United Kingdom

Africa: Algeria Egypt Ethiopia Kenya Mauritius Nigeria South Africa Tanzania Tunisia Uganda Zambia

Oceania: Fiji New Zealand Papua New Guinea

Brand exhibition



Light+Building

Hong Kong International Lighting Fair (Autumn Edition)

MEE

Guangzhou International Lighting Exhibition



Chile



Panama



Romania



Peru



Vietnam



Cambodia



Ethiopia



Algeria



Myanmar



Egypt

There are many partners from all over the world.



Malaysia



Vietnam



Pakistan



Egypt



Italy



Mexico

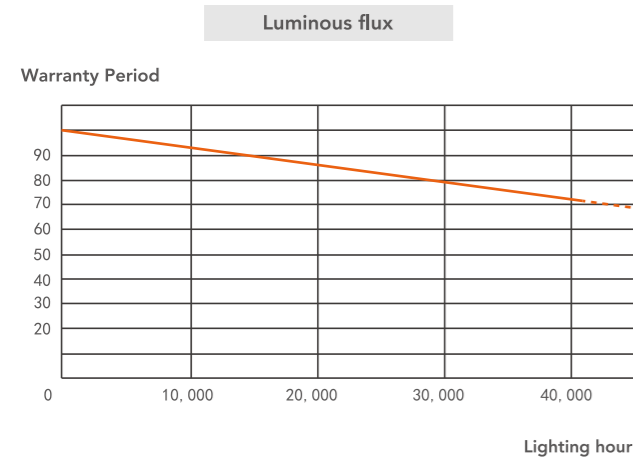
LED

Basic knowledge

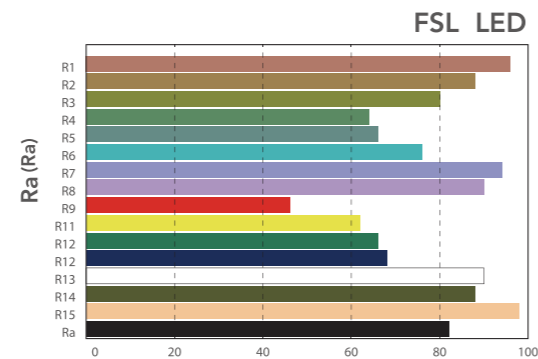
CONTENTS

Definition of led life

incandescent bulb, fluorescent lamp can be easily broken caused by electric shock, while led lamp can still work even after 40000h, only luminous decays as time goes.



CRI / Ra 80+



LED Ra Comparison



Used for Close Range illumination

Non-ultraviolet radiation and infrared rays, alleviate the fades and degradation of the subject.

Lower heated when shines closely. Suitable for less heat-resisted product and commercial lighting.



Suitable for outdoor lighting



Anti-mosquito and insects

Led lamp is Non ultraviolet which cannot be sensed by mosquito and other inserts.

LED FILAMENT BULB -----	01
LED BULB -----	03
LED CYLINDRICAL BULB -----	06
LED COLOUR BULB -----	08
LED CANDLE BULB -----	09
LED G4/G9 -----	11
LED SPOTLIGHT -----	12
LED REFLECTOR BULB -----	14
LED PAR LAMP -----	15
LED TUBE -----	16
LED T8 MOTION SENSOR TUBE -----	17
LED T5 FITTING -----	18
LED T8 TRI-PROOF FIXTURE -----	21
LED LINEAR LIGHT -----	22
LED DOWNLIGHT -----	23
LED PANEL LIGHT -----	27
LED TRACK LIGHT -----	31
LED CEILING DOWNLIGHT -----	33
LED CEILING LAMP -----	34
LED FLOOD LIGHT -----	35
LED STREET LIGHT -----	38
LED HIGH BAY -----	39
LED STRIP LIGHT -----	41
BRAND PROMOTION MATERIALS -----	43

LED FILAMENT BULB



Features:

- *Excellent variety in terms of bases and shapes
- *Low wattage for subdued lighting
- *Decorative forms with modern interiors
- *Very cozy amber effect

Applications:

- *Living rooms, dining rooms, bedroom, Bars.



A60

ST64

G125

Code	Voltage	Power (W)	Lumen(lm) 2200K	CRI	Beam Angle	Base	Dimmable	Size (mm)	Life (hrs)	Packing QTY (pcs/CTN)
A60-4	AC220-240V	4	250	≥80	280°	E27	N	60x112	15000	100
ST64	AC220-240V	4	220	≥80	280°	E27	N	64x141	15000	100
G125	AC220-240V	4	220	≥80	280°	E27	N	125x175	15000	20

Vintage



A60

C35

BT35

G45

G80

G95

G125

ST64

Code	Voltage	Power (W)	Lumen(lm) 2200K	CRI	Beam Angle	Base	Dimmable	Size (mm)	Life (hrs)	Packing QTY (pcs/CTN)
A60FV 6.5W	AC220-240V	6.5	650	≥80	300°	E27	N	60x108	15000	100
C35FV 4W	AC220-240V	4	360	≥80	300°	E14/E27	N	35x96/90	15000	200
BT35FV 4W	AC220-240V	4	360	≥80	300°	E14	N	35x115	15000	200
G45FV 4W	AC220-240V	4	360	≥80	300°	E14/E27	N	45x78/73	15000	200
G80FV 6.5W	AC220-240V	6.5	650	≥80	300°	E27	N	80x115	15000	50
G95FV 6.5W	AC220-240V	6.5	650	≥80	300°	E27	N	95x133	15000	20
G125FV 6.5W	AC220-240V	6.5	650	≥80	300°	E27	N	125x176	15000	20
ST64FV 6.5W	AC220-240V	6.5	650	≥80	300°	E27	N	64x138	15000	100

Clear



A60

C35

BT35

G45

G80

G95

G125

ST64

Code	Voltage	Power (W)	Lumen(lm) 2700K	CRI	Beam Angle	Base	Dimmable	Size (mm)	Life (hrs)	Packing QTY (pcs/CTN)
A60-6/RF	AC220-240V	6	800	≥80	300°	E27	N	60x108	15000	100
C35-4/RF	AC220-240V	4	470	≥80	300°	E14/E27	N	35x96/90	15000	200
BT35-4/RF	AC220-240V	4	470	≥80	300°	E14	N	35x115	15000	200
G45FC 4W	AC220-240V	4	470	≥80	300°	E14/E27	N	45x78/73	15000	200
G80FC 6.5W	AC220-240V	6.5	800	≥80	300°	E27	N	80x115	15000	50
G95FC 6.5W	AC220-240V	6.5	800	≥80	300°	E27	N	95x133	15000	20
G125FC 6.5W	AC220-240V	6.5	800	≥80	300°	E27	N	125x176	15000	20
ST64FC 6.5W	AC220-240V	6.5	800	≥80	300°	E27	N	64x138	15000	100



Code	Voltage	Power (W)	Lumen(lm) 2700K	CRI	Beam Angle	Base	Dimmable	Size (mm)	Life (hrs)	Packing QTY (pcs/CTN)
A60-8/RF-DIM	AC230-240V	8	800	≥80	300°	E27	Y	60x103	15000	100
C35-4/RF-DIM	AC230-240V	4	360	≥80	300°	E14	Y	35x90	15000	200
BT35-4/RF-DIM	AC230-240V	4	360	≥80	300°	E14	Y	35x115	15000	200

LED BULB



Features:

- *Long lifetime span
- *Low energy consumption
- *Simple replacement for classic lamps
- *Instant 100% light, no warm-up time
- *Dimmable version available
- *Robust against vibrations

Applications:

- *Domestic applications
- *General illumination
- *Applications in suitable luminaires



Code	Voltage	Power (W)	Lumen(lm) 3000/4000/6500K	CRI	Beam Angle	Base	Size (mm)	Life (hrs)	Packing QTY (pcs/CTN)
G45-4/RC	AC220-240V	4	330/340/360	≥80	180°	E27	45x80	15000	100
G45-5.5/RC	AC220-240V	5.5	430/450/470	≥80	180°	E27	45x80	15000	100
G45-4/RC E14	AC220-240V	4	330/340/360	≥80	180°	E14	45x82	15000	100
G45-5.5/RC E14	AC220-240V	5.5	430/450/470	≥80	180°	E14	45x82	15000	100

LED BULB



Code	Voltage	Power (W)	Lumen(lm) 3000/4000/6500K	CRI	Beam Angle	Base	Size (mm)	Life (hrs)	Packing QTY (pcs/CTN)
A60-6/CC	AC220-240V	6	470/490/500	≥80	200°	E27/B22	60x112	15000	100
A60-8/CC	AC220-240V	8	600/630/650	≥80	200°	E27/B22	60x112	15000	100
A60-10/CC	AC220-240V	10	770/800/830	≥80	200°	E27/B22	60x115	15000	100
A60-12/CC	AC220-240V	12	1050/1100/1130	≥80	200°	E27/B22	60x115	15000	100
A60-15/CC	AC220-240V	15	1150/1250/1300	≥80	200°	E27/B22	60x120	15000	100

Code	Voltage	Power (W)	Lumen(lm) 3000/4000/6500K	CRI	Beam Angle	Base	Size (mm)	Life (hrs)	Packing QTY (pcs/CTN)
A70-14/QQ	AC90-265V	14	1200/1250/1300	≥80	200°	E27/B22	70x135	25000	100



Code	Voltage	Power (W)	Lumen(lm) 3000/4000/6500K	CRI	Beam Angle	Base	Dimmable	Size (mm)	Life (hrs)	Packing QTY (pcs/CTN)
A60-7/DQ-DIM	AC180-265V	7	470/500/520	≥80	200°	E27	Y	60x112	25000	100
A60-10/DQ-DIM	AC180-265V	10	800/830/850	≥80	200°	E27	Y	60x112	25000	100

LED BULB



Code	Voltage	Power (W)	Lumen(lm) 3000/4000/6500K	CRI	Beam Angle	Base	Size (mm)	Life (hrs)	Packing QTY (pcs/CTN)
FSLT129 9W	AC220-240V	9	720/750/780	≥80	320°	E27/E14	Ø34.5x105	15000	100

LED CYLINDRICAL BULB



Features:

- *Simple replacement for classic compact fluorescent lamps
- *Long lifetime span
- *Low energy consumption
- *Instant 100% light, no warm-up time
- *Robust against vibrations

Applications:

- *Domestic applications
- *General illumination
- *Applications in suitable luminaries



Code	Voltage	Power (W)	Lumen(lm) 3000/6500K	CRI	Beam Angle	Base	Size (mm)	Life (hrs)	Packing QTY (pcs/CTN)
FSLT130 5W	AC220V-240V	5	400/420/440	≥80	180°	E27	Ø50x94	15000	100
FSLT130 10W	AC220V-240V	10	800/820/840	≥80	180°	E27	Ø60x117	15000	50
FSLT130 16W	AC220V-240V	16	1100/1130/1150	≥80	180°	E27	Ø70x128	15000	50
FSLT130 20W	AC220V-240V	20	1300/1340/1360	≥80	180°	E27	Ø80x142	15000	50
FSLT130 25W	AC220V-240V	25	1800/1850/1900	≥80	180°	E27	Ø100x172	15000	20
FSLT130 32W	AC220V-240V	32	2400/2500/2600	≥80	180°	E27	Ø100x172	15000	20
FSLT130 42W	AC220V-240V	42	3200/3350/3500	≥80	180°	E27	Ø120x205	15000	20
FSLT130 52W	AC220V-240V	52	3700/3850/4000	≥80	180°	E27	Ø135x238	15000	20



Code	Voltage	Power (W)	Lumen(lm) 3000/4000/6500K	CRI	Beam Angle	Base	Size (mm)	Life (hrs)	Packing QTY (pcs/CTN)
FSLT127 35W	AC220-240V	35	2800/2900/3000	≥80	175°	E27	100x180	15000	40
FSLT127 55W	AC220-240V	55	4200/4400/4600	≥80	175°	E27	120x220	15000	20
FSLT127 98W	AC220-240V	98	7700/7900/8100	≥80	175°	E40	150x265	15000	8



Code	Voltage	Power (W)	Lumen(lm) 3000/6500K	CRI	Beam Angle	Base	Size (mm)	Life (hrs)	Packing QTY (pcs/CTN)
FSLT126 4W	AC220-240V	4	310/340	≥80	165°	E27	40x90	15000	100
FSLT126 8W	AC220-240V	8	630/680	≥80	165°	E27	50x110	15000	100
FSLT126 12W	AC220-240V	12	980/1050	≥80	165°	E27	60x130	15000	100
FSLT126 16W	AC220-240V	16	1300/1400	≥80	150°	E27	80x162	15000	100
FSLT126 25W	AC220-240V	25	1900/2100	≥80	185°	E27	100x195	15000	100
FSLT126 30W	AC220-240V	30	1900/2000	≥80	185°	E27	100x195	15000	100

LED COLOUR BULB

Features:

- *Low energy consumption
- *Red, blue, green, orange, purple, yellow color available for variety decorative requirements
- *Robust against vibrations

Applications:

- *Domestic applications
- *General illumination
- *Applications in suitable luminaries



Code	Voltage	Power (W)	Lumen(lm) 3000/4000/6500K	CRI	Beam Angle	Base	Size (mm)	Life (hrs)	Packing QTY (pcs/CTN)
G45-2/RC	AC220-240V	2	180/190/200	≥70	160°	E27	45x72	15000	200



Code	Voltage	Power (W)	Beam Angle	Base	Size (mm)	Life (hrs)	Packing QTY (pcs/CTN)
G45-2/RC-Red	AC220-240V	2	160°	E27	45x72	15000	200
G45-2/RC-Orange	AC220-240V	2	160°	E27	45x72	15000	200
G45-2/RC-Yellow	AC220-240V	2	160°	E27	45x72	15000	200
G45-2/RC-Green	AC220-240V	2	160°	E27	45x72	15000	200
G45-2/RC-Blue	AC220-240V	2	160°	E27	45x72	15000	200
G45-2/RC-Purple	AC220-240V	2	160°	E27	45x72	15000	200

LED CANDLE BULB



Features:

- *Variety decorative lighting performance thanks to LED technology
- *Low energy consumption
- *Simple replacement for classic lamps
- *Instant 100% light, no warm-up time
- *Robust against vibrations
- *Dimmable version available

Applications:

- *Domestic applications
- *General illumination
- *Chandeliers



Code	Voltage	Power (W)	Lumen(lm) 3000/4000/6500K	CRI	Beam Angle	Base	Color	Size (mm)	Life (hrs)	Packing QTY (pcs/CTN)
C35-4/RN	AC220-240V	4	330/340/350	≥80	180°	E14	White	37x100	15000	200
C38-6/RN	AC220-240V	6	460/470/480	≥80	180°	E14	White	37x100	15000	200
BT35-4/RN	AC220-240V	4	330/340/350	≥80	180°	E14	White	37x126	15000	200
BT38-6/RN	AC220-240V	6	460/470/480	≥80	180°	E14	White	37x126	15000	200



Code	Voltage	Power (W)	Lumen(lm) 3000/4000/6500K	CRI	Beam Angle	Base	Color	Size (mm)	Life (hrs)	Packing QTY (pcs/CTN)
C38-6/RN-DIM	AC220-240V	6	460/470/480	≥80	180°	E14	White	37x100	15000	200



Code	Voltage	Power (W)	Lumen(lm) 3000/4000/6500K	CRI	Beam Angle	Base	Color	Size (mm)	Life (hrs)	Packing QTY (pcs/CTN)
C38-5/QN	AC90-265V	5	470/480/500	≥70	240°	E14	White	38x108	25000	200
BT38-5/QN	AC90-265V	5	470/480/500	≥70	240°	E14	White	38x126	25000	200



Code	Voltage	Power (W)	Lumen(lm) 3000/4000/6500K	CRI	Beam Angle	Base	Color	Size (mm)	Life (hrs)	Packing QTY (pcs/CTN)
C38L1 5W	AC100-265V	5	350/370/400	≥80	200°	E14	Silver	Ø37x100	15000	200
C38L2 5W	AC100-265V	5	350/370/400	≥80	200°	E14	White	Ø37x100	15000	200
BT38L1 5W	AC100-265V	5	350/370/400	≥80	200°	E14	Silver	Ø37x125	15000	200
BT38L2 5W	AC100-265V	5	350/370/400	≥80	200°	E14	White	Ø37x125	15000	200



Code	Voltage	Power (W)	Lumen(lm) 3000/4000/6500K	CRI	Beam Angle	Base	Color	Size (mm)	Life (hrs)	Packing QTY (pcs/CTN)
C38L2 5W DIM	AC220-240V	5	400/400/400	≥80	200°	E14	White	38x100	15000	200

LED G4/G9



Features:

- *Long lifetime up to 10000 hours
- *Low energy consumption
- *Ideal for decorative and free-burning applications
- *Very small sizes thanks to high miniaturization
- *Optimized light distribution

Applications:

- *Atmospheric accent lighting in homes, shops, hotels and restaurants
- *Foyers
- *Offices



Code	Voltage	Power (W)	Lumen(lm) 3000/4000/6500K	CRI	Beam Angle	Base	Size (mm)	Life (hrs)	Packing QTY (pcs/CTN)
FSLG417 1.5W	AC/DC12V	1.5	120/125/130	≥80	300°	G4	39x12x10	10000	1000
FSLG917 2W	AC220-240V	2	180/185/190	≥80	300°	G9	48x16x12	10000	1000

LED SPOTLIGHT



Features:

- *Simple replacement of conventional halogen lamps
- *Innovative single optic for homogeneous light distribution
- *Available in dimmable version
- *Very long lifespan up to 25000 hours
- *Instant 100% light, no warm-up time

Applications:

- *Restaurants
- *Commercial areas
- *Hospitality
- *Museums, art galleries
- *Residential interiors
- *Spotlighting for accents

LED MR16



Code	Voltage	Power (W)	Lumen(lm) 3000/4000/6500K	CRI	Beam Angle	Base	Size (mm)	Life (hrs)	Packing QTY (pcs/CTN)
MR16-5/LP	AC/DC12V	5	400/410/420	≥80	38°	GU5.3	Φ50*52	25000	200

Code	Voltage	Power (W)	Lumen(lm) 3000/4000/6500K	CRI	Beam Angle	Base	Size (mm)	Life (hrs)	Packing QTY (pcs/CTN)
MR16-5/QP	AC90-265V	5	400/410/420	≥80	38°	GU5.3	Φ50*52	25000	200
MR16-6/QP	AC90-265V	6	500/510/520	≥80	38°	GU5.3	Φ50*52	25000	200
MR16-7/QP	AC90-265V	7	600/610/620	≥80	38°	GU5.3	Φ50*52	25000	200



Code	Voltage	Power (W)	Lumen(lm) 3000/4000/6500K	CRI	Beam Angle	Base	Dimmable	Size (mm)	Life (hrs)	Packing QTY (pcs/CTN)
MR16-6.5/QP-DIM	AC180-265V	6.5	500/510/520	≥80	38°	GU5.3	Y	Φ50*58	25000	200

LED GU10



Code	Voltage	Power (W)	Lumen(lm) 3000/4000/6500K	CRI	Beam Angle	Base	Dimmable	Size (mm)	Life (hrs)	Packing QTY (pcs/CTN)
GU10-5/QP	AC90-265V	5	400/410/420	≥80	38°	GU10	N	Φ50*56	25000	200
GU10-6/QP	AC90-265V	6	500/510/520	≥80	38°	GU10	N	Φ50*56	25000	200
GU10-7/QP	AC90-265V	7	600/610/620	≥80	38°	GU10	N	Φ50*56	25000	200



Code	Voltage	Power (W)	Lumen(lm) 3000/4000/6500K	CRI	Beam Angle	Base	Dimmable	Size (mm)	Life (hrs)	Packing QTY (pcs/CTN)
GU10-6/DP-DIM	AC220-240V	6	380/390/400	≥80	38°	GU10	Y	Φ50*56	25000	200



Code	Voltage	Power (W)	Lumen(lm) 3000/4000/6500K	CRI	Beam Angle	Base	Dimmable	Size (mm)	Life (hrs)	Packing QTY (pcs/CTN)
GU10-9/QP	AC90-265V	9	700/720/750	≥80	38°	GU10	N	Φ50*74	25000	200

LED REFLECTOR BULB



Features:

- *Simple direct replacement for conventional incandescent lamps
- *Low power consumption
- *Instant 100% light, no warm-up time

Applications:

- *Domestic applications
- *General illumination
- *Applications in suitable luminaries



Code	Voltage	Power (W)	Lumen(lm) 3000/4000/6500K	CRI	Beam Angle	Base	Dimmable	Size (mm)	Life (hrs)	Packing QTY (pcs/CTN)
R50-6/CC	AC220-240V	6	470/480/490	≥80	120°	E14	N	50x86	15000	200
R63-8/CC	AC220-240V	8	600/610/620	≥80	120°	E27	N	63x100	15000	100
R80-11/CC	AC220-240V	11	806/820/840	≥80	120°	E27	N	80x113	15000	100



Code	Voltage	Power (W)	Lumen(lm) 3000/4000/6500K	CRI	Beam Angle	Base	Dimmable	Size (mm)	Life (hrs)	Packing QTY (pcs/CTN)
R80-10/CC DIM	AC220-240V	10	800/850/900	≥80	120°	E27	Y	Ø80x113	25000	100

LED PAR LAMP



Features:

- *Easy replacement of halogen lamps thanks to compact design
- *Uniform lens design for guaranteed excellent distribution of light
- *Very long lifespan up to 25,000hours
- *Instant 100% light, no warm-up time
- *Blue, red, green lens available

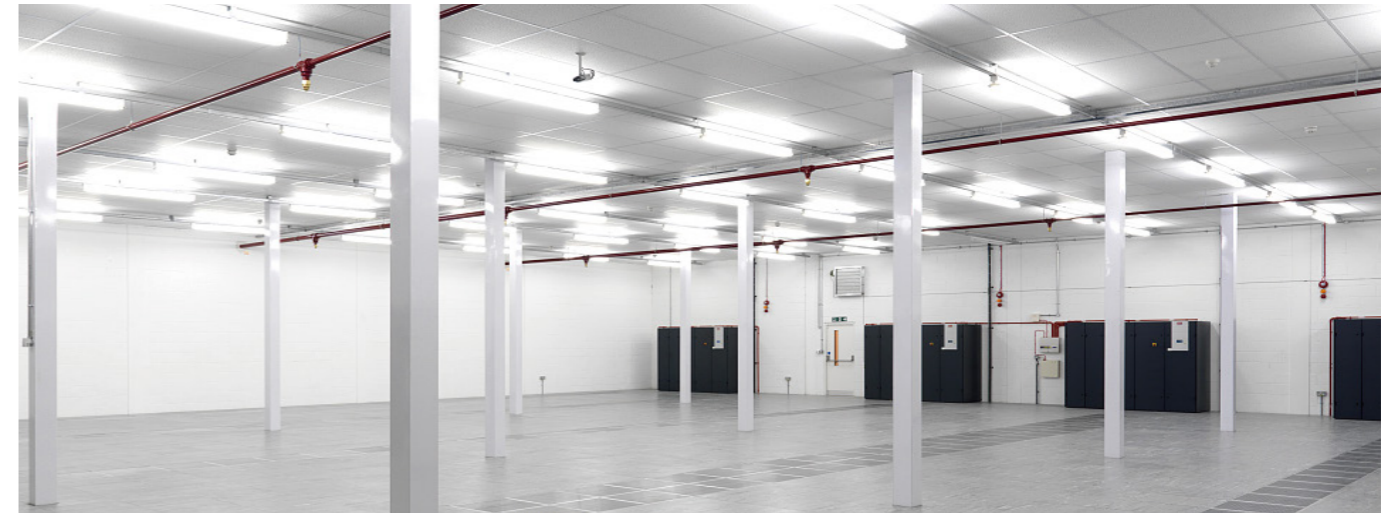
Applications:

- *Domestic applications
- *General illumination
- *Applications in suitable luminaries



Code	Voltage	Power (W)	Lumen(lm) 3000/4000/6500K	CRI	Beam Angle	Base	Dimmable	Size (mm)	Life (hrs)	Packing QTY (pcs/CTN)
PAR20-7/DX/S	AC180-265V	7	500/525/550	≥80	40°	E14	N	63x79	25000	50
PAR30-13/DX/S	AC180-265V	13	1000/1050/1100	≥80	40°	E27	N	95x93	25000	20
PAR38-18/DX/S	AC180-265V	18	1400/1450/1500	≥80	40°	E27	N	122x134	25000	20

LED TUBE

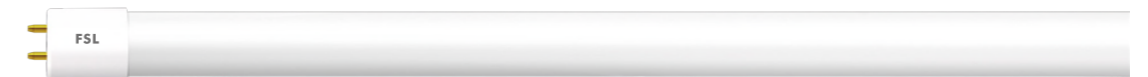


Features:

- *Quick, simple and safe replacement without rewiring
- *Energy saving up to 60% compared to traditional fluorescent tubes
- *Uniform illumination
- *Very long lifespan up to 25000 hours
- *Instant 100% light, no warm-up time

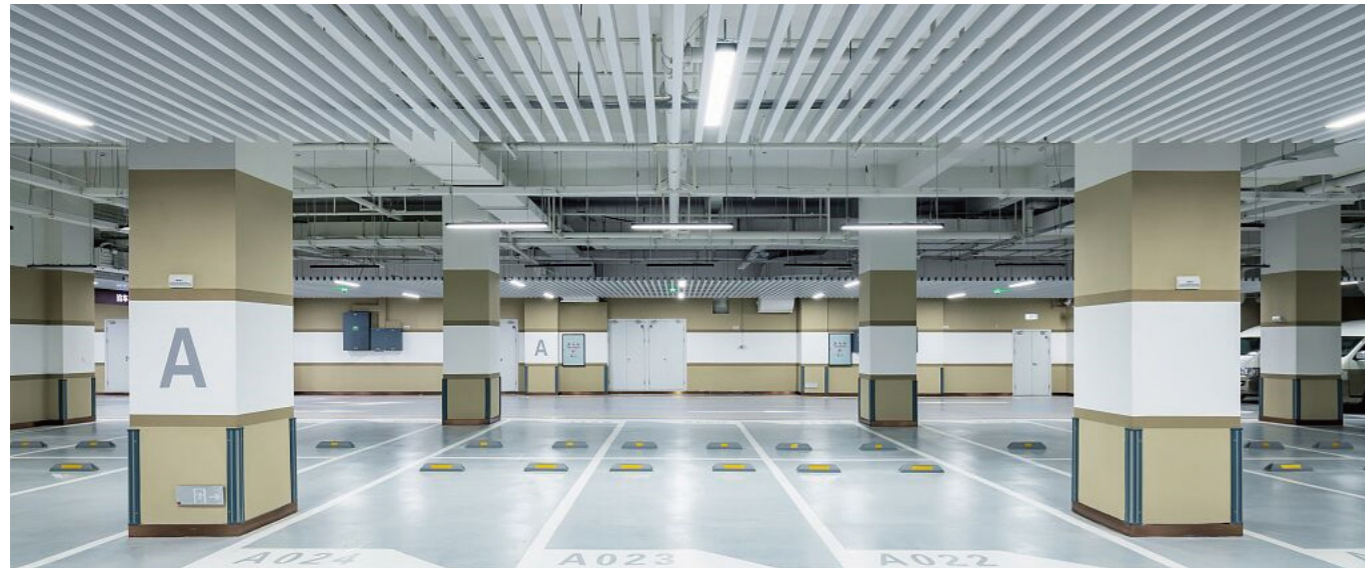
Applications:

- *Illumination of production areas
- *Supermarkets and department stores
- *Public buildings
- *Reception areas
- *Offices



Code	Voltage	Power (W)	Lumen(lm) 3000/4000/6500K	CRI	Beam Angle	Base	Size (mm)	Life (hrs)	Packing QTY (pcs/CTN)
T8-9/DY	AC180-265V	9	650/700/750	≥70	270°	G13	602×28	25000	25
T8-18/DY	AC180-265V	18	1450/1500/1600	≥70	270°	G13	1212×28	25000	25
T8-22/DY	AC180-265V	22	1750/1850/2000	≥70	270°	G13	1212×28	25000	25
T8-22/DY-1.5M	AC180-265V	22	1750/1850/2000	≥70	270°	G13	1512×28	25000	25

LED T8 MOTION SENSOR TUBE



Features:

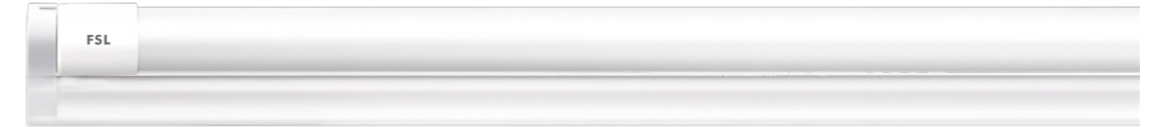
- *Quick, simple and safe replacement without rewiring
- *Energy saving up to 60% compared to traditional fluorescent tubes
- *Uniform illumination
- *Very long lifespan up to 25000 hours
- *Instant 100% light, no warm-up time

Applications:

- *Illumination of production areas
- *Supermarkets and department stores
- *Public buildings
- *Reception areas
- *Offices



Code	Voltage	Power (W)	Lumen(lm) 3000/4000/6500K	CRI	Beam Angle	Base	Dimmable	Size (mm)	Life (hrs)	Packing QTY (pcs/CTN)
T8-9/MS/DIM	AC220-240V	9	730/810/900	≥70	270°	G13	N	603x29	15000	25
T8-18/MS/DIM	AC220-240V	18	1700/1750/1800	≥70	270°	G13	N	1212x29	15000	25
T8-9/MS	AC180-265V	9	730/810/900	≥70	270°	G13	Y	603x29	15000	25
T8-18/MS	AC180-265V	18	1700/1750/1800	≥70	270°	G13	Y	1212x29	15000	25



Code	Voltage	Power (W)	Lumen(lm) 3000/4000/6500K	CRI	Beam Angle	Base	Size (mm)	Life (hrs)	Packing QTY (pcs/CTN)
T8F-9/DY	AC180-265V	9	650/700/750	≥70	160°	G13	610x30x50	15000	20
T8F-18/DY	AC180-265V	18	1450/1500/1600	≥70	160°	G13	1220x30x50	15000	20
T8F-22/DY	AC180-265V	22	1750/1850/2000	≥70	160°	G13	1220x30x50	15000	20



Code	Base	Size (mm)	Packing QTY (pcs/CTN)
T8A-106	G13	608x33x50	40
T8A-206	G13	608x75x50	30
T8A-112	G13	1220x33x50	40
T8A-212	G13	1220x75x50	30



LED T5 FITTING



Features:

- *Available as 300mm, 600mm, 900mm, 1200mm & 1500mm
- *Rows of luminaires possible
- *For seamless lines of light without dark

Applications:

- *Direct replacement for luminaires with fluorescent lamps
- *General indoor illumination
- *Hospitality



Code	Voltage	Power (W)	Lumen(lm) 3000/4000/6500K	CRI	Beam Angle	Base	Size (mm)	Life (hrs)	Packing QTY (pcs/CTN)
T5F-6/DZ	AC180-265V	6	400/420/450	≥70	130°	G13	309x22.8x38.5	25000	20
T5F-10/DZ	AC180-265V	10	720/760/800	≥70	130°	G13	570x22.8x38.5	25000	20
T5F-14/DZ	AC180-265V	14	1080/1150/1200	≥70	130°	G13	870x22.8x38.5	25000	20
T5F-18/DZ	AC180-265V	18	1400/1450/1600	≥70	130°	G13	1170x22.8x38.5	25000	20
T5F-22/DZ	AC180-265V	22	1650/1750/1850	≥70	130°	G13	1170x22.8x38.5	25000	20



Code	Voltage	Power (W)	Lumen(lm) 3000/4000/6500K	CRI	Beam Angle	Base	Size (mm)	Life (hrs)	Packing QTY (pcs/CTN)
T5F-6/DT	AC180-265V	6	540/570/600	≥70	130°	G13	310x22.5x33.5	25000	20
T5F-10/DT	AC180-265V	10	950/1000/1050	≥70	130°	G13	571x22.5x33.5	25000	20
T5F-14/DT	AC180-265V	14	1350/1400/1500	≥70	130°	G13	871x22.5x33.5	25000	20
T5F-18/DT	AC180-265V	18	1800/1900/2000	≥70	130°	G13	1171x22.5x33.5	25000	20

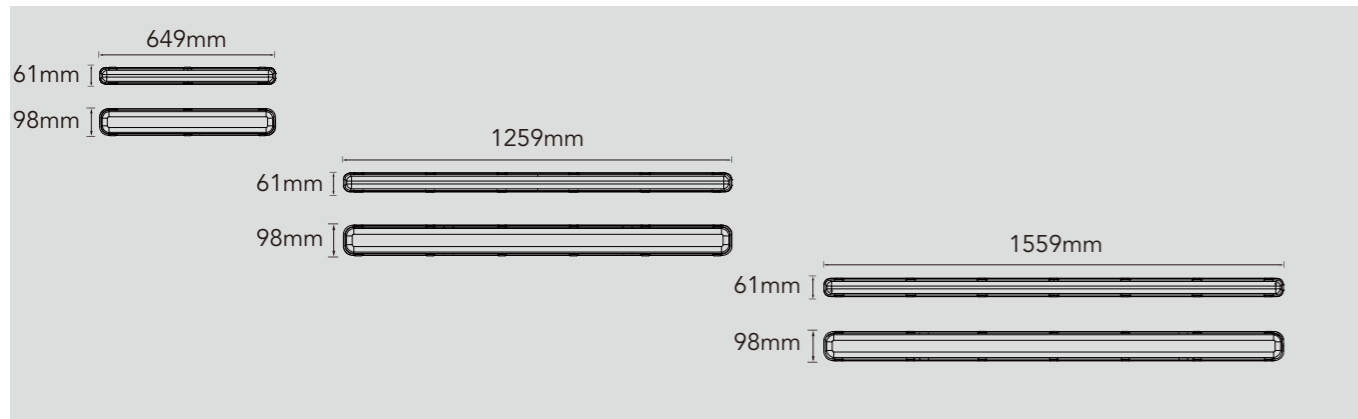
LED T8 TRI-PROOF FIXTURE



APPLICATION

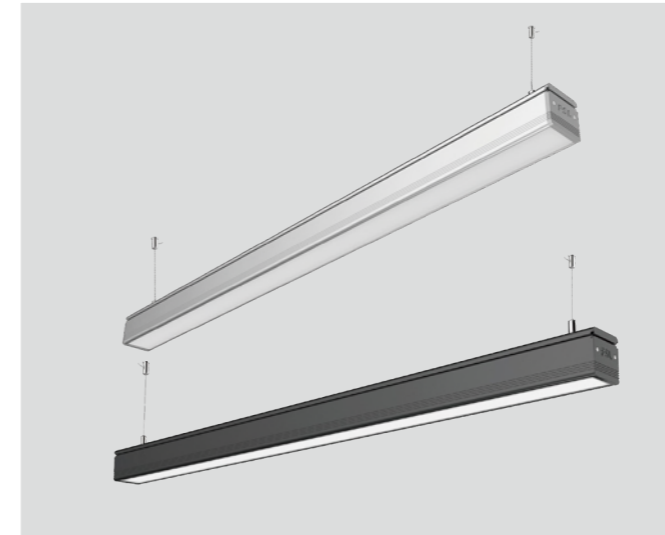


ACCESSORIES:

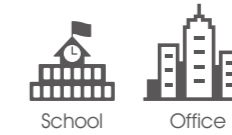


Code	Power (W)	Material	IP	Packing QTY (pcs/CTN)
T825-106	1x9	ABS+PC	IP65	12
T825-112	1x18	ABS+PC	IP65	12
T825-115	1x22	ABS+PC	IP65	12
T825-206	2x9	ABS+PC	IP65	8
T825-212	2x18	ABS+PC	IP65	8
T825-215	2x22	ABS+PC	IP65	8

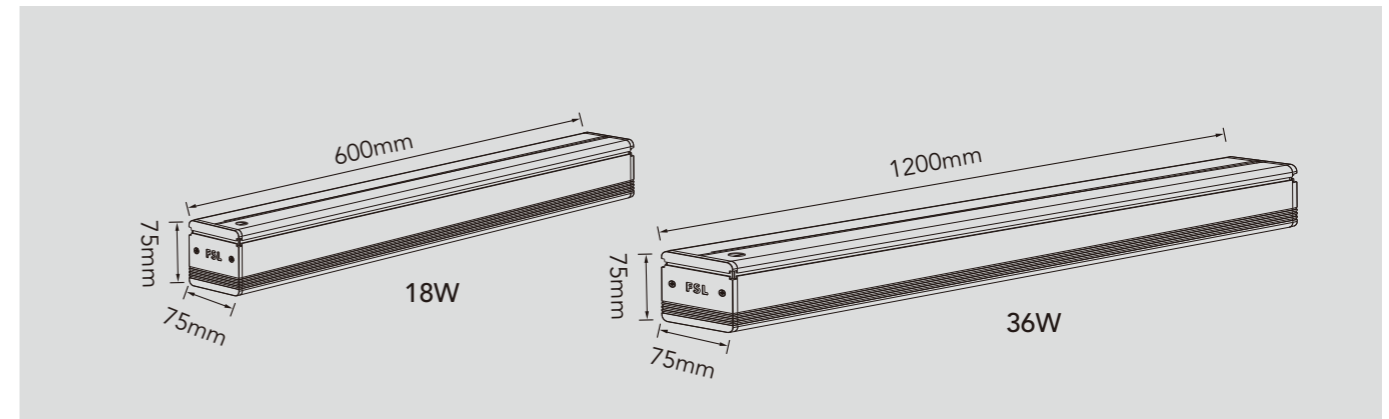
LED LINEAR LIGHT



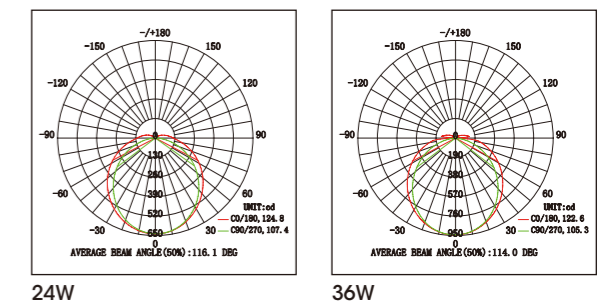
APPLICATION



ACCESSORIES:



Voltage:	AC220-240V 50/60Hz
CRI:	≥80
CCT:	3000/4000/6500K
Lifetime:	25000hrs
IP:	IP20
Operating temp:	-20°C ~40°C



Code	Power (W)	Lumen (lm)	Colour	Beam Angle	Packing QTY (pcs/CTN)
FSB143S-18	18	1250/1300/1350	Silver	120°	2
FSB143S-36	36	2500/2600/2700	Silver	120°	2
FSB143B-18	18	1250/1300/1350	Black	120°	2
FSB143B-36	36	2500/2600/2700	Black	120°	2

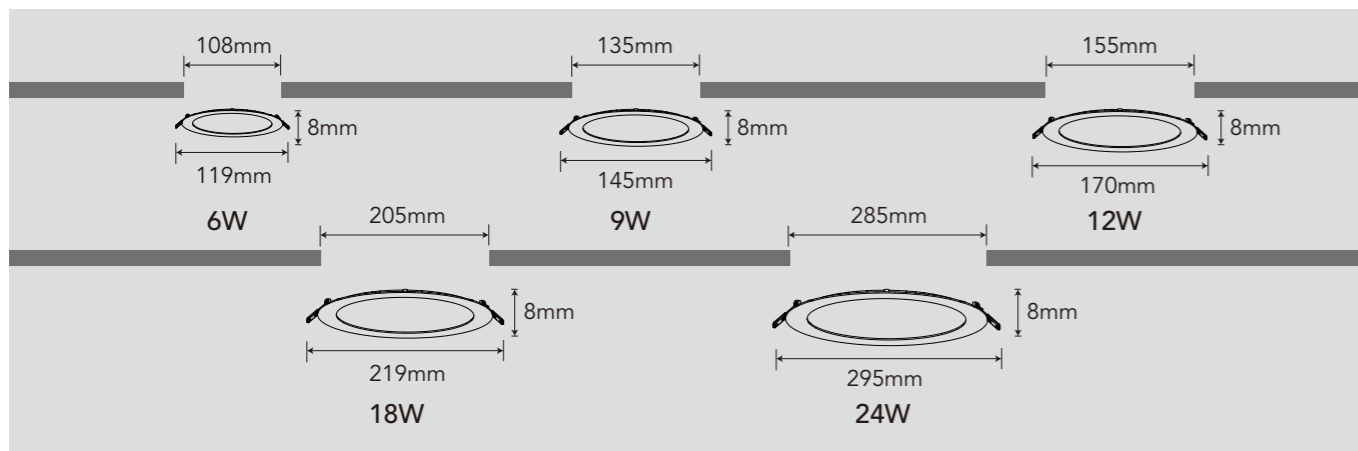


Code	Power (W)	Lumen (lm)	Colour	Beam Angle	Packing QTY (pcs/CTN)
FSB144-18	18	1250/1450/1350	/	110°	2
FSB144-36	36	2500/2700/2600	/	110°	2

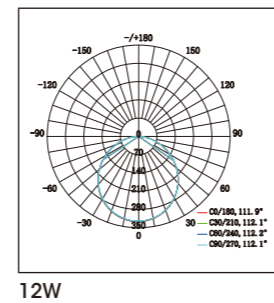
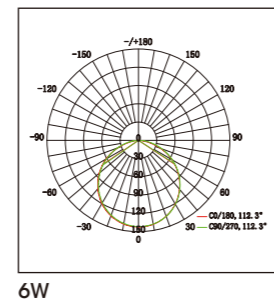
LED DOWNLIGHT



APPLICATION



Voltage:	90-265V 50/60Hz
CRI:	≥80
CCT:	3000/4000/6500K
Lifetime:	25000hrs
IP:	IP20
Operating temp:	-20°C ~40°C

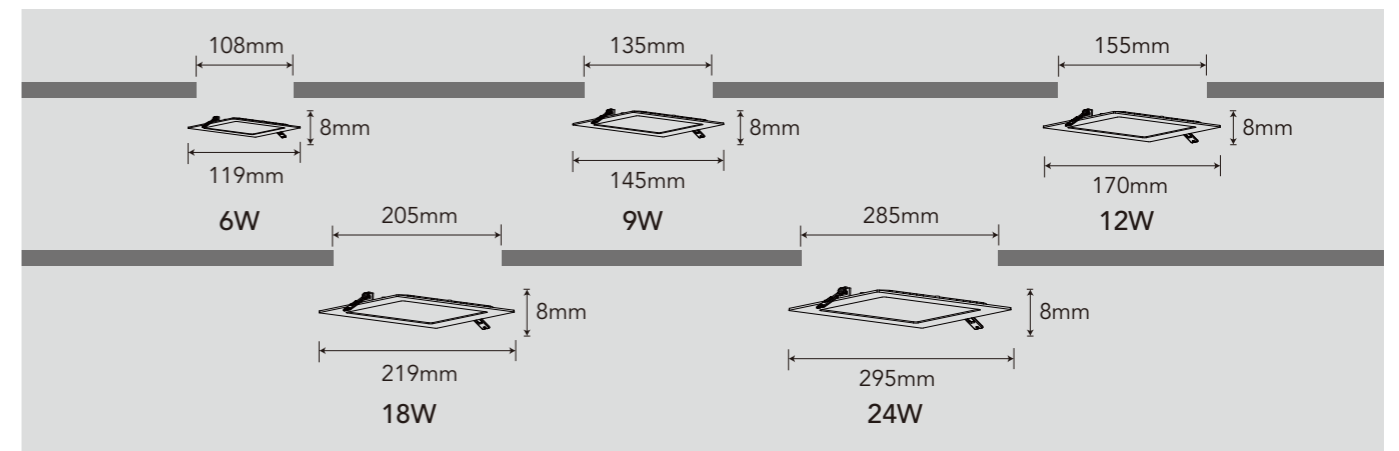


Code	Power (W)	Lumen (lm)	Beam Angle	Packing QTY (pcs/CTN)
FSP3033R 6W	6	330/370/390	120°	40
FSP3033R 9W	9	500/555/585	120°	40
FSP3033R 12W	12	715/795/840	120°	30
FSP3033R 18W	18	1225/1365/1440	120°	30
FSP3033R 24W	24	1735/1935/2040	120°	15

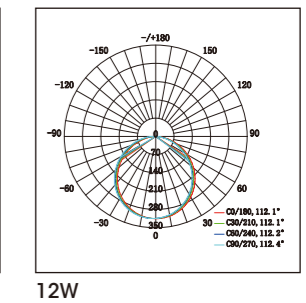
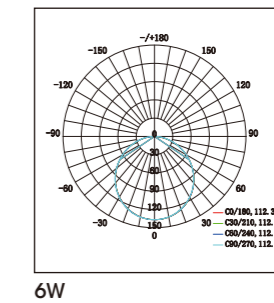
LED DOWNLIGHT



APPLICATION



Voltage:	90-265V 50/60Hz
CRI:	≥80
CCT:	3000/4000/6500K
Lifetime:	25000hrs
IP:	IP20
Operating temp:	-20°C ~40°C

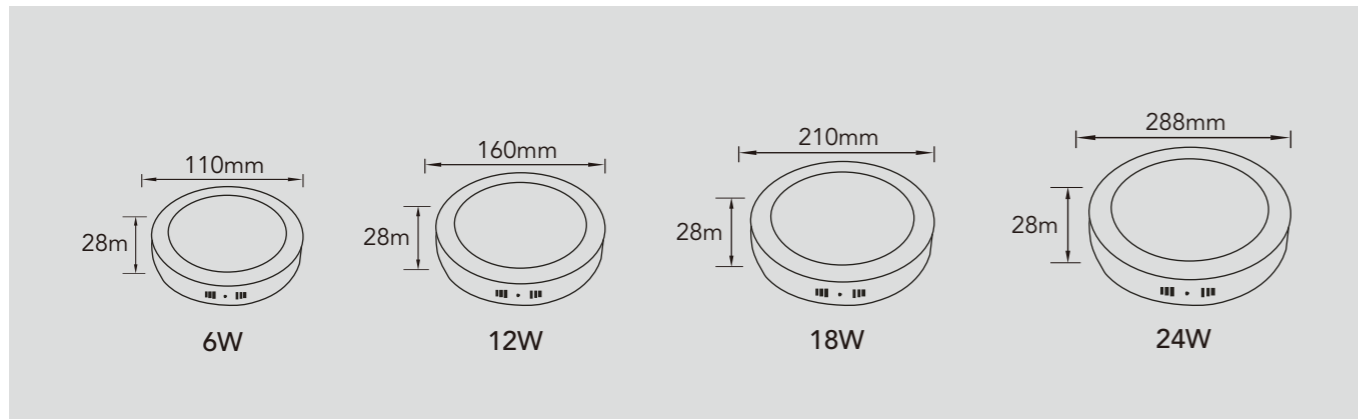


Code	Power (W)	Lumen (lm)	Beam Angle	Packing QTY (pcs/CTN)
FSP3033S 6W	6	330/370/390	120°	40
FSP3033S 9W	9	500/555/585	120°	40
FSP3033S 12W	12	715/795/840	120°	30
FSP3033S 18W	18	1225/1365/1440	120°	30
FSP3033S 24W	24	1735/1935/2040	120°	15

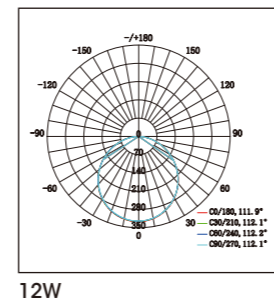
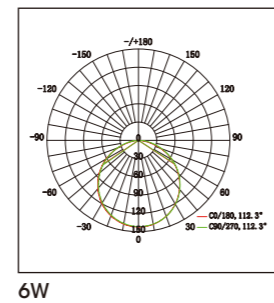


LED DOWNLIGHT

APPLICATION



Voltage:	90-265V 50/60Hz
CRI:	≥80
CCT:	3000/4000/6500K
Lifetime:	25000hrs
IP:	IP20
Operating temp:	-20°C ~40°C

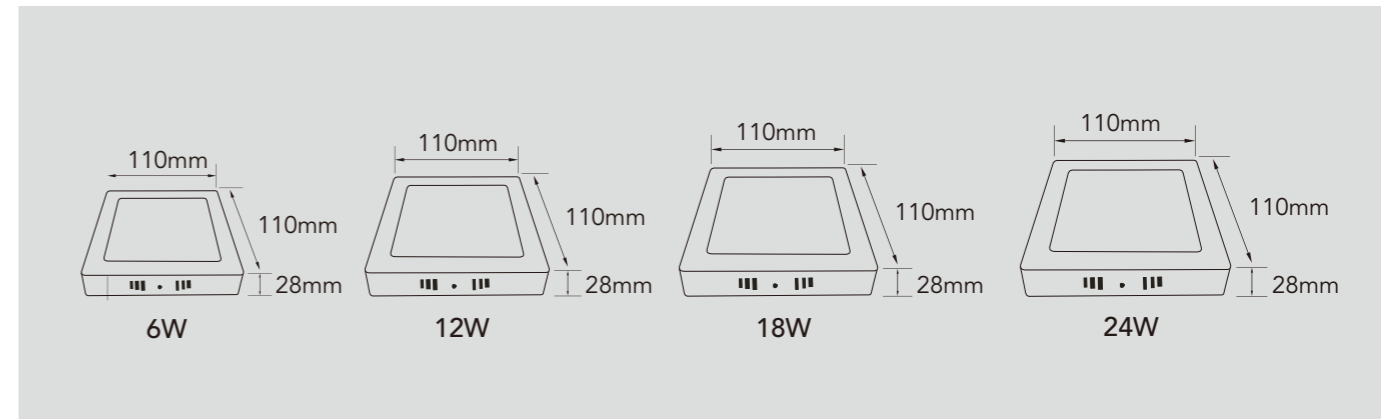


Code	Power (W)	Lumen (lm)	Beam Angle	Packing QTY (pcs/CTN)
FSP3032R 6W	6	330/370/390	120°	40
FSP3032R 12W	12	715/795/840	120°	30
FSP3032R 18W	18	1225/1365/1440	120°	20
FSP3032R 24W	24	1735/1935/2040	120°	15

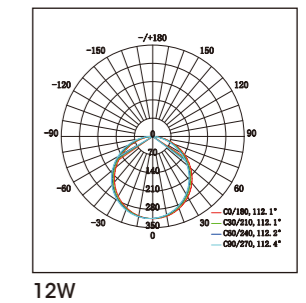
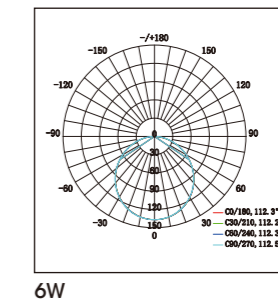


LED DOWNLIGHT

APPLICATION

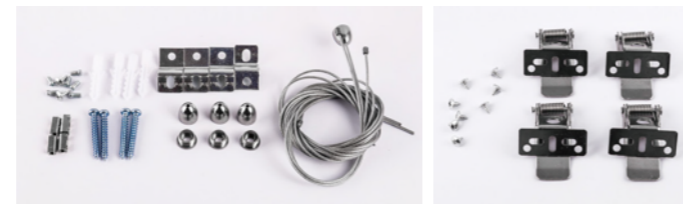
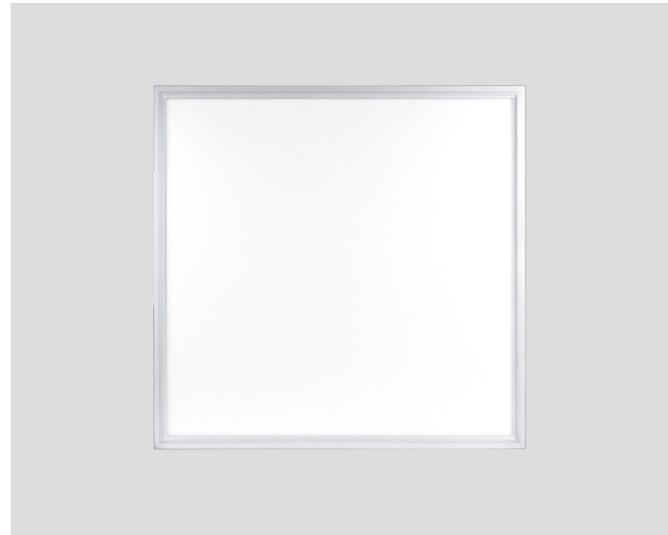


Voltage:	90-265V 50/60Hz
CRI:	≥80
CCT:	3000/4000/6500K
Lifetime:	25000hrs
IP:	IP20
Operating temp:	-20°C ~40°C



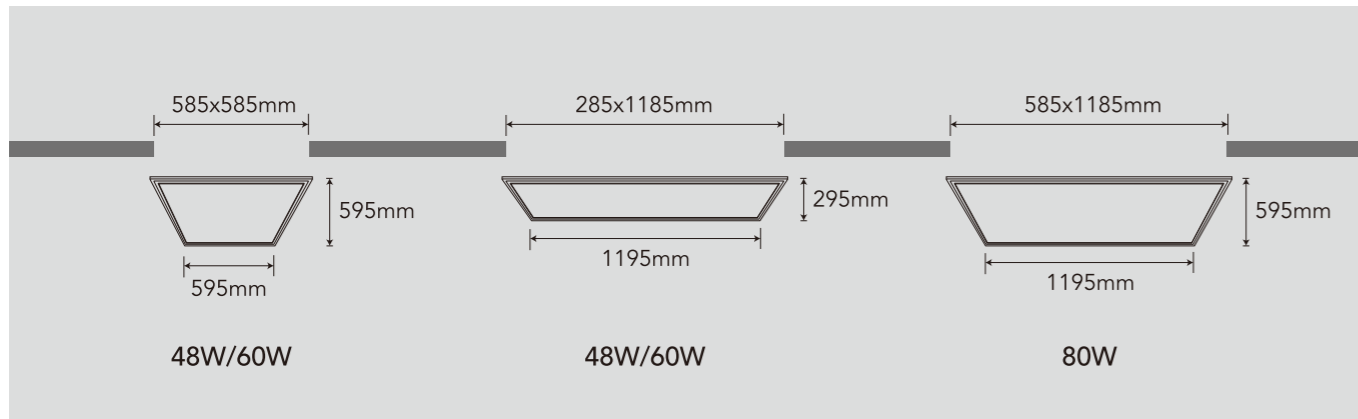
Code	Power (W)	Lumen (lm)	Beam Angle	Packing QTY (pcs/CTN)
FSP3032S 6W	6	330/370/390	120°	40
FSP3032S 12W	12	715/795/840	120°	30
FSP3032S 18W	18	1225/1365/1440	120°	20
FSP3032S 24W	24	1735/1935/2040	120°	15

LED PANEL LAMP

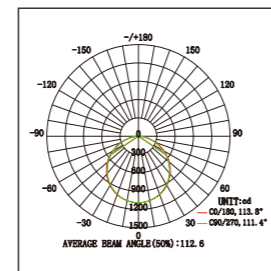


Panel lamp cable

Panel lamp clips



Voltage:	90-265V 50/60Hz
CRI:	≥80
CCT:	3000/4000/6500K
Lifetime:	25000hrs
IP:	IP20
Operating temp:	-20°C ~40°C



48W

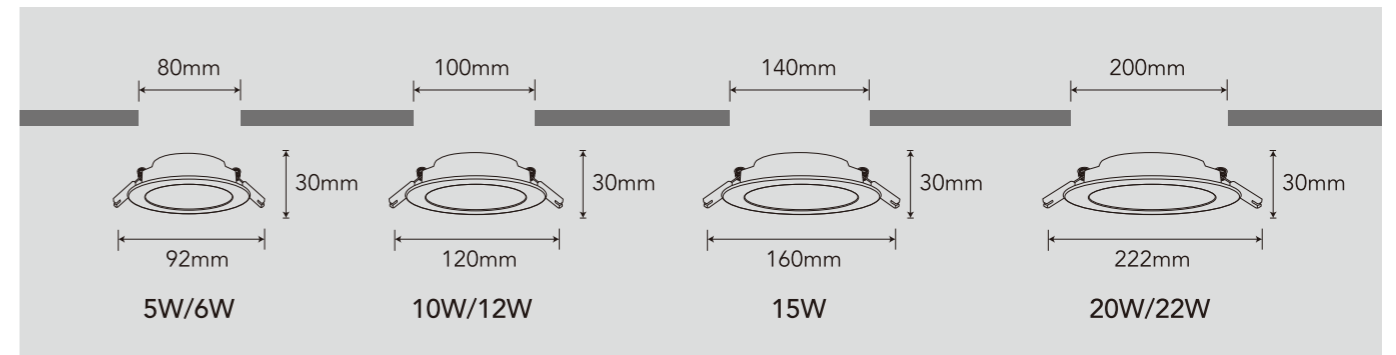
Code	Power (W)	Lumen (lm)	Cut-out (mm)	Beam Angle	Packing QTY (pcs/CTN)
FSP28312-48	48	3600/3700/3800	285x1185	110°	2
FSP28660-48	48	3000/3100/3200	585x585	110°	2
FSP28660-60	60	3600/3700/3800	585x585	110°	2
FSP28612-80	80	6200/6300/6400	585x1185	110°	2

Code	Power (W)	Lumen (lm)	Size (mm)	Beam Angle	Packing QTY (pcs/CTN)
FSP28660-48 Push Type	48	3000/3100/3200	600x600	110°	2

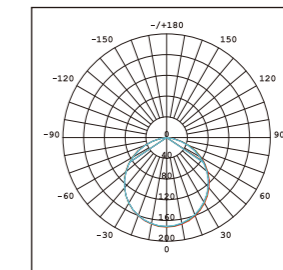
LED DOWNLIGHT



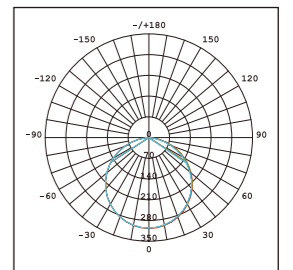
APPLICATION



Voltage:	220-240V 50/60Hz
CRI:	≥80
CCT:	3000/4000/5000K
Lifetime:	25000hrs
IP:	IP20
Operating temp:	-20°C ~40°C



6W



12W

Code	Power (W)	Lumen (lm)	Beam Angle	Packing QTY (pcs/CTN)
FSD601 6W	6	450/460/480	110°	60
FSD601 12W	12	840/860/900	110°	40
FSD601 15W	15	1140/1160/1200	110°	40
FSD601 22W	22	1520/1550/1600	110°	30

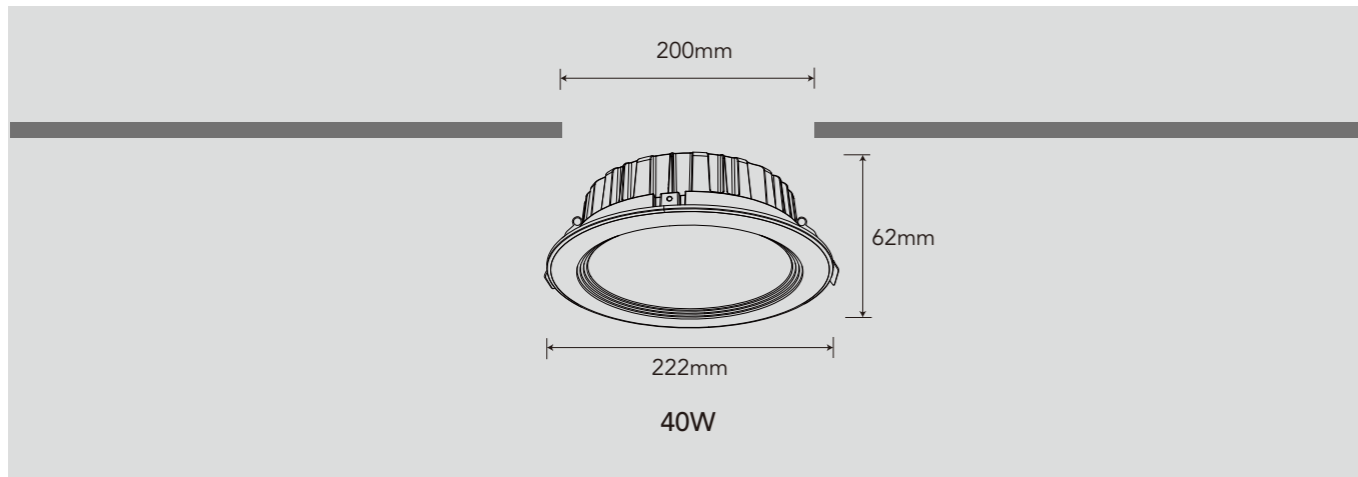
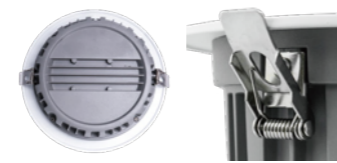


Code	Power (W)	Lumen (lm)	Beam Angle	Packing QTY (pcs/CTN)
FSD606 5W	5	350/375/325	110°	60
FSD606 10W	10	800/850/750	110°	40
FSD606 15W	15	1275/1320/1170	110°	40
FSD606 20W	20	1700/1800/1600	110°	30

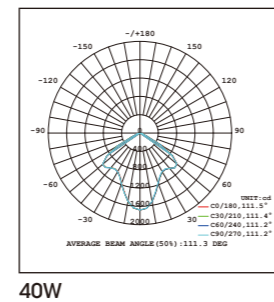
LED DOWNLIGHT



APPLICATION



Voltage:	100-240V 50/60Hz
CRI:	≥80
CCT:	3000/4000/5000K
Lifetime:	15000hrs
IP:	IP20
Operating temp:	-20°C ~40°C

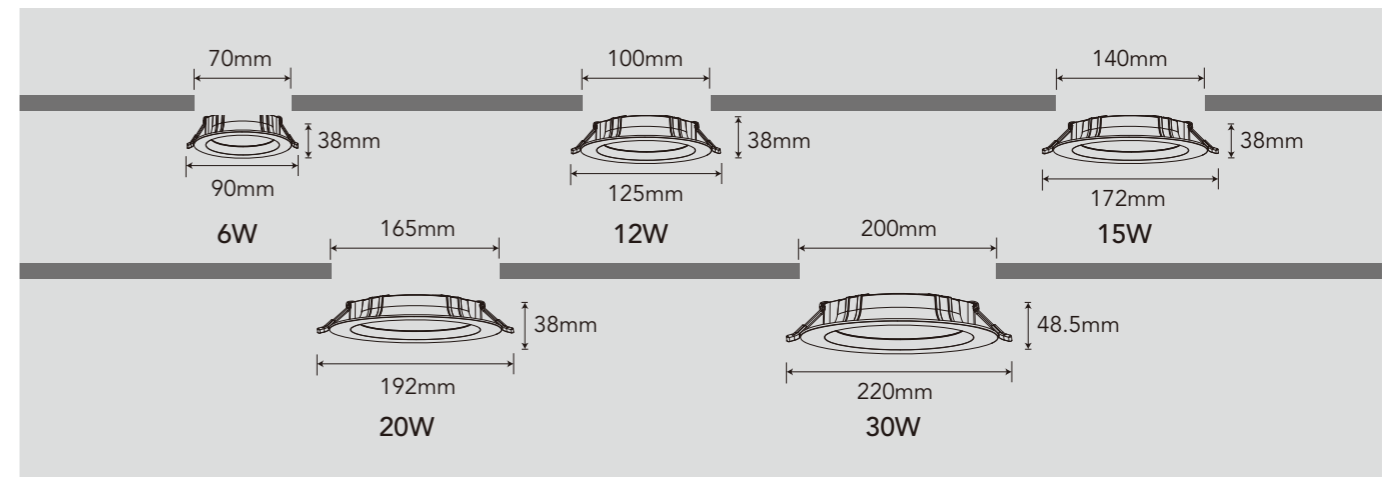


Code	Power (W)	Lumen (lm)	Beam Angle	Packing QTY (pcs/CTN)
FSD503 40W	40	3400/3600/3800	120°	12

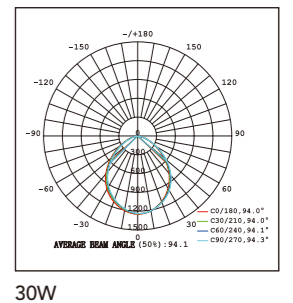
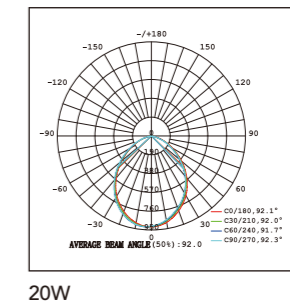
LED DOWNLIGHT



APPLICATION



Voltage:	180-260V 50/60Hz
CRI:	≥80
CCT:	3000/4000/5000K
Lifetime:	25000hrs
IP:	IP20
Operating temp:	-20°C ~40°C

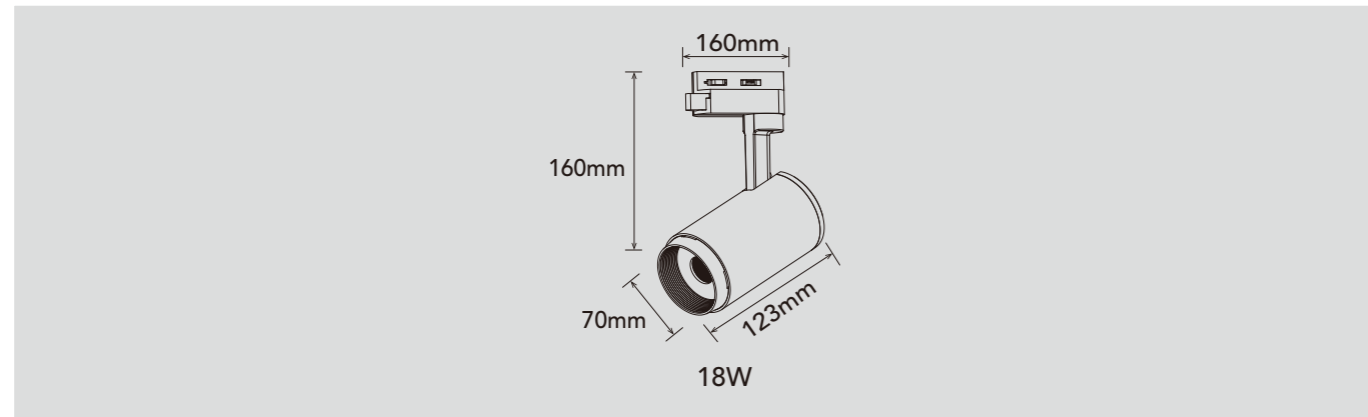


Code	Power (W)	Lumen (lm)	Beam Angle	Packing QTY (pcs/CTN)
FSD604-7W	7	490/520/560	75°	50
FSD604-10W	10	800/880/960	80°	50
FSD604-15W	15	1120/1230/1350	80°	50
FSD604-20W	20	1400/1540/1690	90°	25
FSD604-30W	30	2400/2640/2880	90°	20

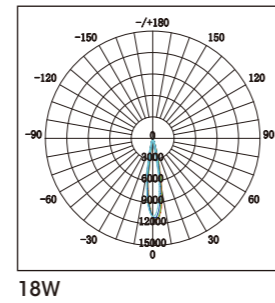


LED TRACK LIGHT

APPLICATION



Voltage:	180-265V 50/60Hz
CRI:	≥80
CCT:	3000/4000/5000/6500K
Lifetime:	25000hrs
Type:	2/3Wire
Operating temp:	-20°C ~40°C

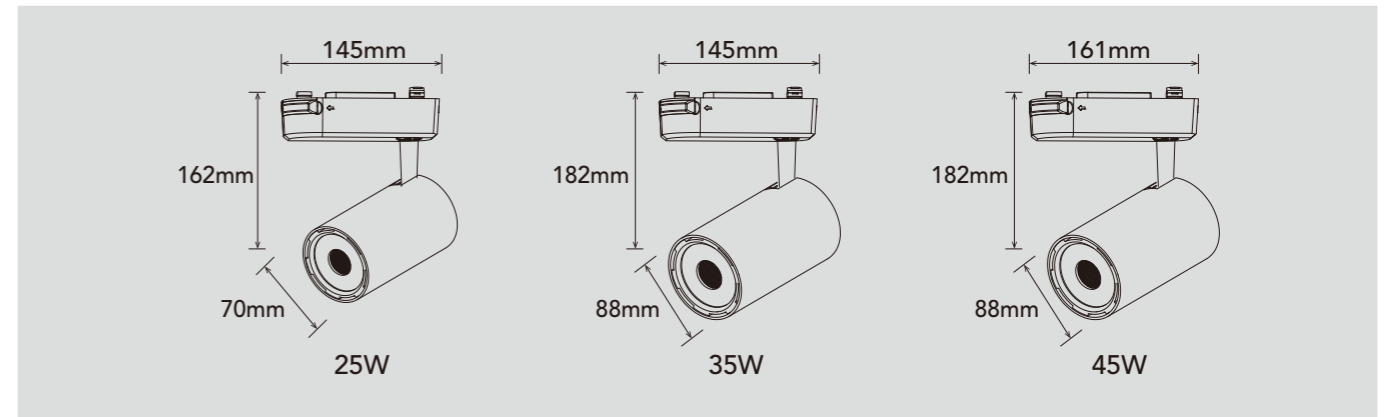


Code	Power (W)	Lumen (lm)	Colour	Beam Angle	Packing QTY (pcs/CTN)
FST104A1BK-18	18	1300/1400/1500/1500	BLACK	15°/24°	20
FST104A1WH-18	18	1300/1400/1500/1500	WHITE	15°/24°	20

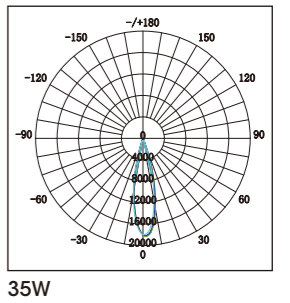
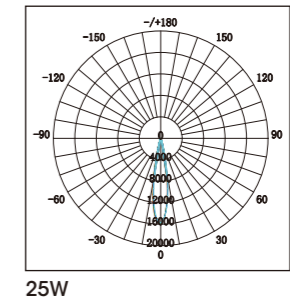


LED TRACK LIGHT

APPLICATION



Voltage:	180-265V 50/60Hz
CRI:	≥80
CCT:	3000/4000/5000K
Lifetime:	25000hrs
Type:	2/3Wire
Operating temp:	-20°C ~40°C

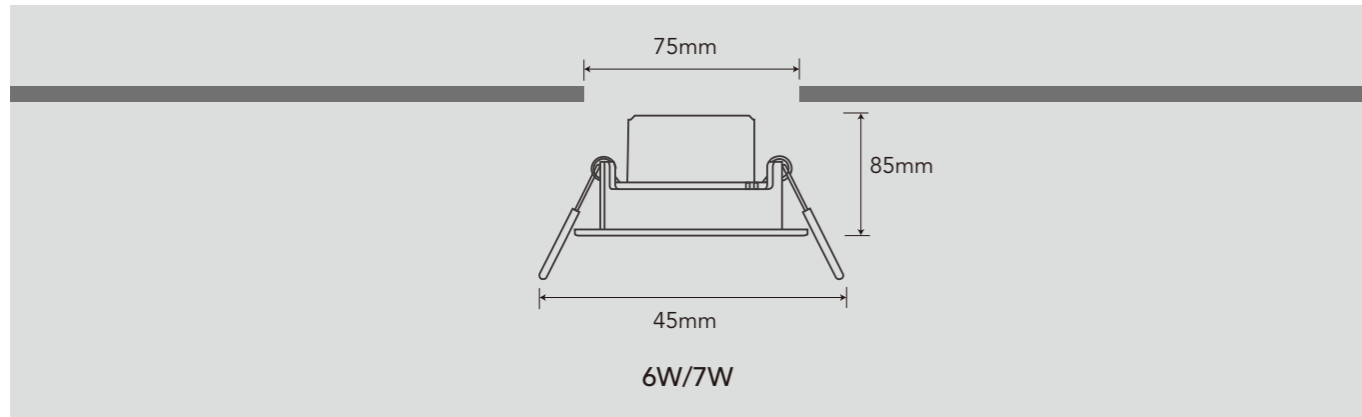


Code	Power (W)	Lumen (lm)	Colour	Beam Angle	Packing QTY (pcs/CTN)
TL-25W/B	25	1800/1900/2000	BLACK	15°/24°	20
TL-35W/B	35	2600/2700/2800	BLACK	15°/24°	20
TL-45W/B	45	3200/3200/3500	BLACK	15°/24°	20
TL-25W/W	25	1800/1900/2000	WHITE	15°/24°	20
TL-35W/W	35	2600/2700/2800	WHITE	15°/24°	20
TL-45W/W	45	3200/3200/3500	WHITE	15°/24°	20

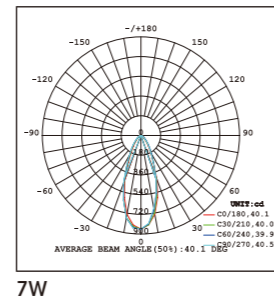
LED CEILING DOWNLIGHT



APPLICATION



Voltage:	90-265V 50/60Hz
CRI:	≥80
CCT:	3000/4000/5000K
Lifetime:	25000hrs
IP:	IP20
Operating temp:	-20°C ~40°C



Code	Voltage	Power (W)	Lumen (lm)	Beam Angle	Packing QTY (pcs/CTN)
FSCD125A2WH-7	AC90-265V	7	490/525/560	38°	60



Code	Code	Power (W)	Lumen (lm)	Beam Angle	Packing QTY (pcs/CTN)
FSCD125A2WH-6 DIM	AC180-265V	6	420/450/480	24°	60

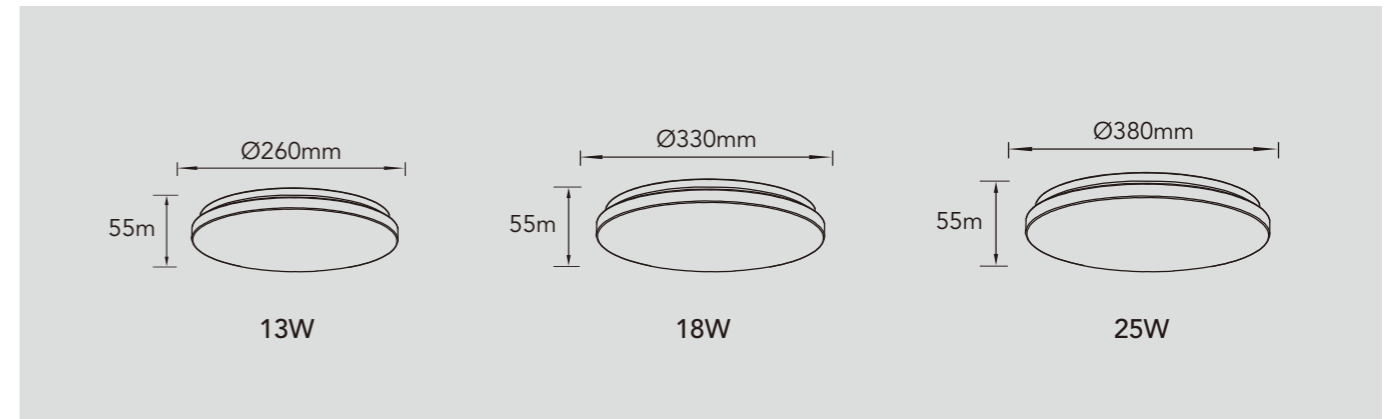
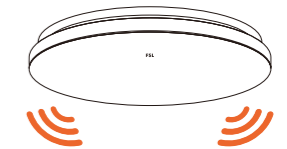
LED CEILING LAMP



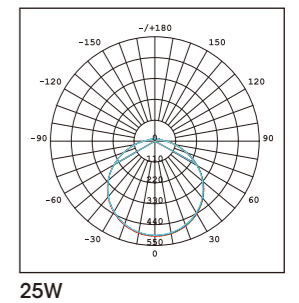
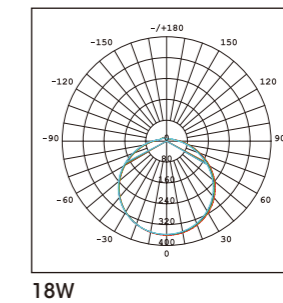
APPLICATION



FEATURES: Motion sensor



Voltage:	220-240V 50/60Hz
CRI:	≥80
CCT:	3000/4000/5700K
Lifetime:	25000hrs
IP:	IP20
Operating temp:	-20°C ~40°C



Code	Power (W)	Lumen (lm)	Packing QTY (pcs/CTN)
FSLC172 13W	13	860/880/900	10
FSLC172 18W	18	1340/1370/1400	10
FSLC172 25W	25	1550/1650/1750	10

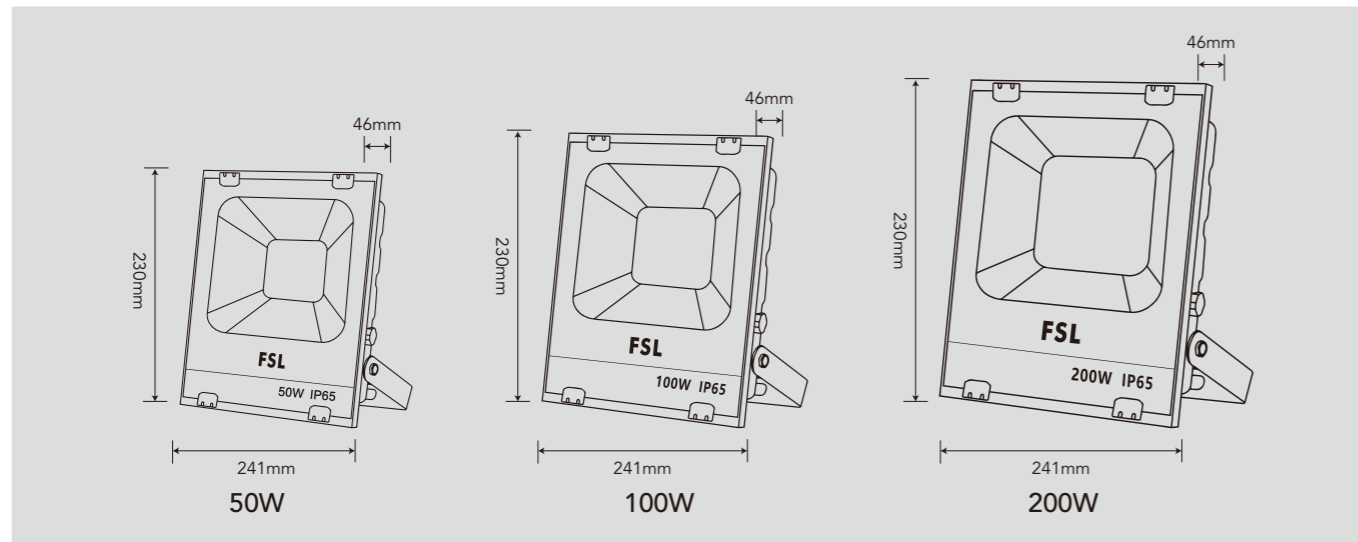
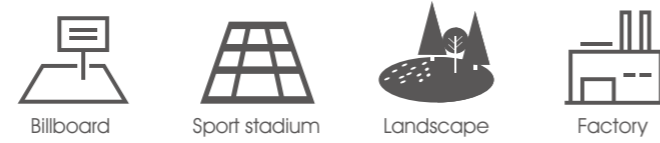
Motion sensor

FSLC192 25W	25	1650/1700/1750	10
-------------	----	----------------	----

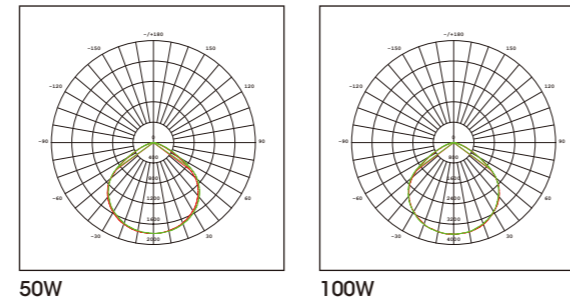


LED FLOOD LIGHT

APPLICATION



Voltage:	220-240V 50/60Hz
PF:	0.5
CCT:	3000/4000/6500K
Lifetime:	25000hrs
IP:	IP65
Operating temp:	-20°C ~50°C

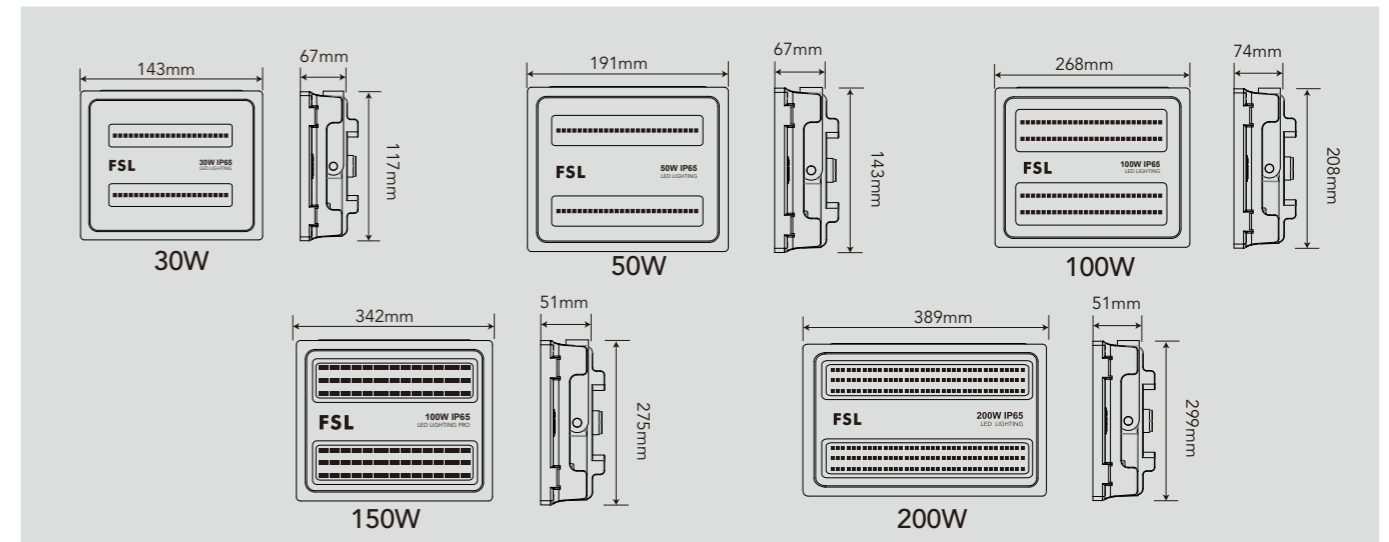
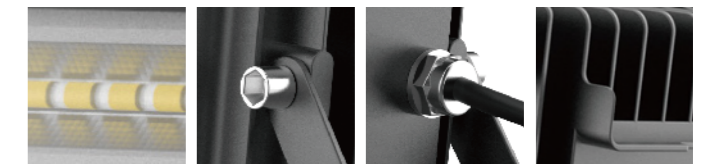
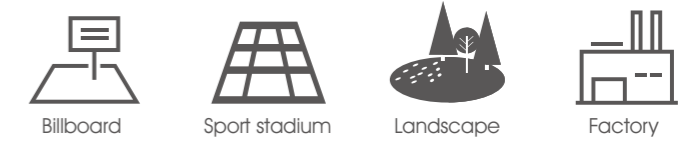


Code	Power (W)	Lumen (lm)	Beam Angle	Packing QTY (pcs/CTN)
FSF812 50W	50	3000/3100/3250	95°	10
FSF812 100W	100	6000/6250/6500	95°	5
FSF812 200W	200	12000/12500/13000	99°	4

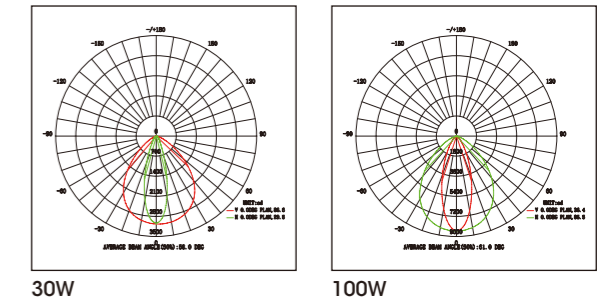


LED FLOOD LIGHT

APPLICATION



Voltage:	180-265V 50/60Hz
PF:	0.9
CCT:	3000/4000/6500K
Lifetime:	25000hrs
IP:	IP65
Operating temp:	-20°C ~50°C

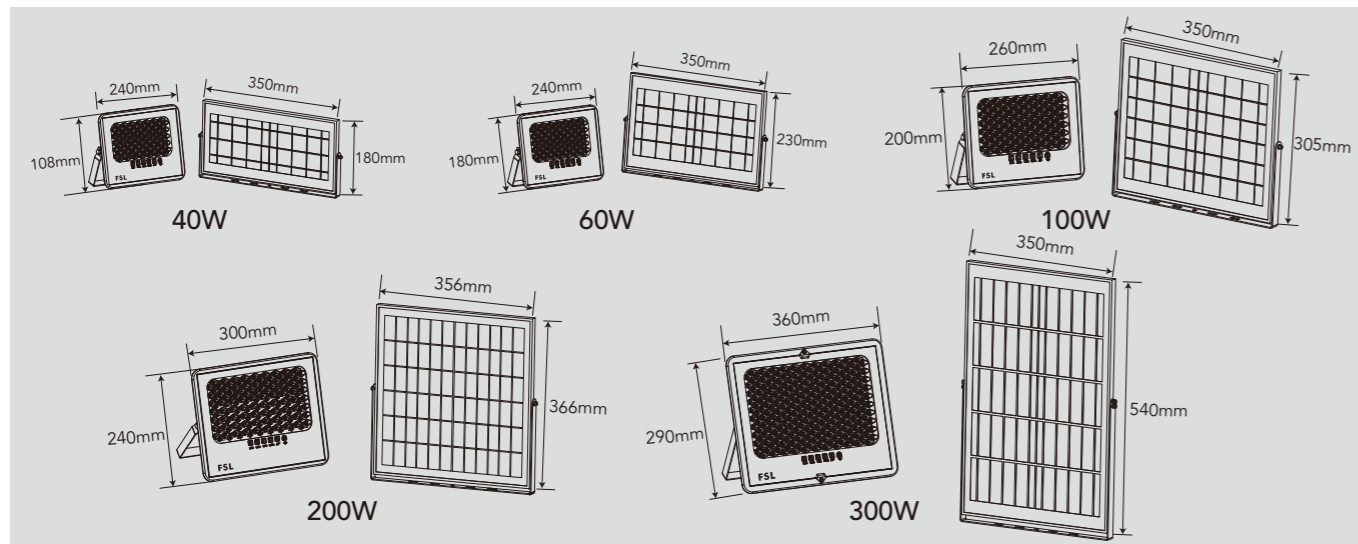


Code	Power (W)	Lumen (lm)	Beam Angle	Packing QTY (pcs/CTN)
FSF808A1-30P	30	2550/2850/2850	30°x80°	20
FSF808A1-50P	50	4250/4750/4750	30°x80°	20
FSF808A1-100P	100	8500/9500/9500	30°x80°	10
FSF808A1-150P	150	12800/14200/14200	30°x80°	4
FSF808A1-200P	200	17000/19000/19000	30°x80°	2

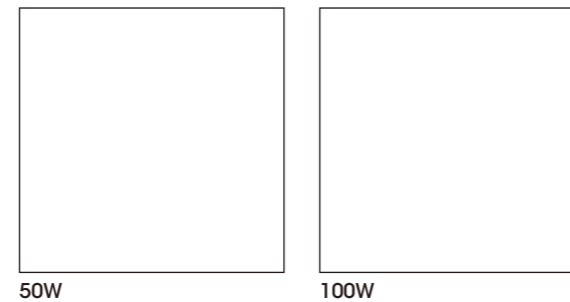
LED SOLAR LAMP



APPLICATION

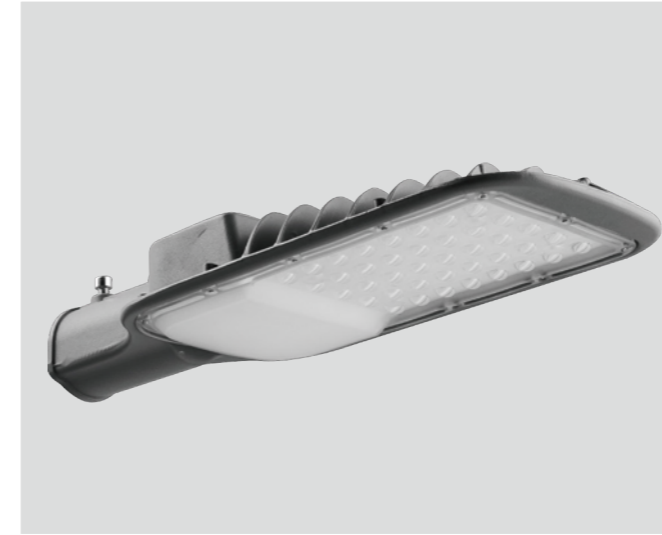


CCT: 3000/4000/6500K
 IP: IP65
 Operating temp: -20°C ~50°C

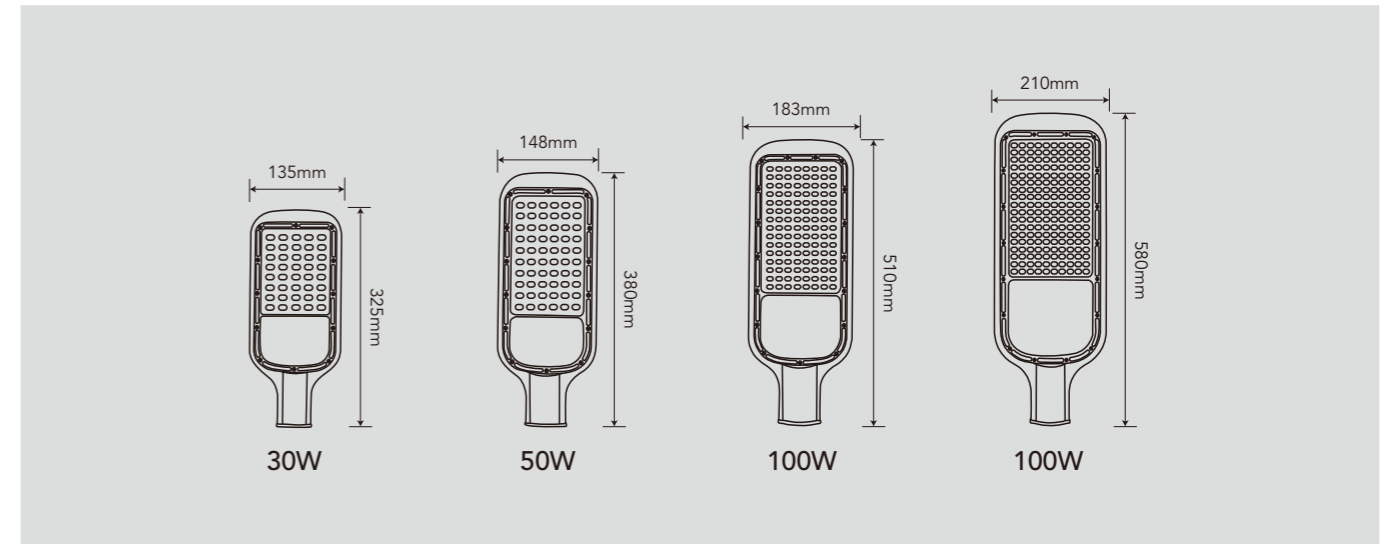


Code	Power (W)	Lumen (lm)	Beam Angle	Packing QTY (pcs/CTN)
FSF122-40	40	380	100°	/
FSF122-60	60	500	100°	/
FSF122-100	100	770	100°	/
FSF122-200	200	1200	100°	/
FSF122-300	300	1300	100°	/

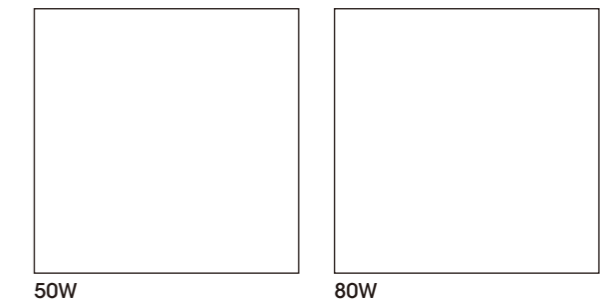
LED STREET LIGHT



APPLICATION



Voltage: 90-265V 50/60Hz
 PF: 0.9
 CCT: 3000/4000/5000/6500K
 Lifetime: 25000hrs
 IP: IP65
 Operating temp: -20°C ~50°C

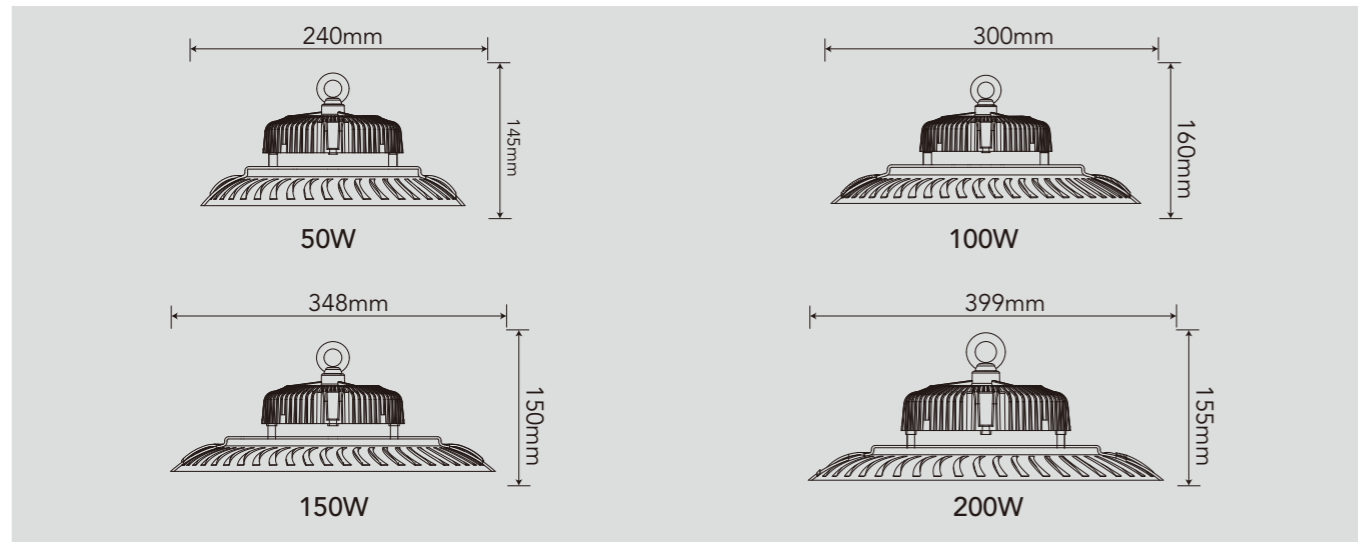


Code	Power (W)	Lumen (lm)	Beam Angle	Packing QTY (pcs/CTN)
/	30	3000	/	10
/	50	5000	/	6
/	100	10000	/	4
/	150	15000	/	3

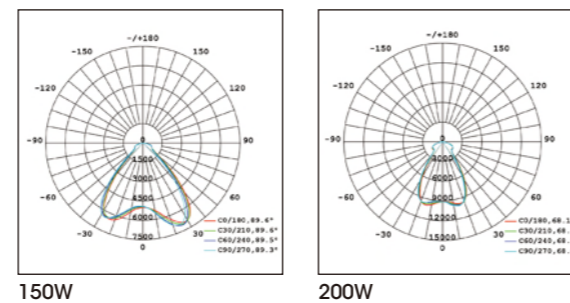
LED HIGH BAY



APPLICATION



Voltage:	100-265V 50/60Hz
PF:	0.95
CCT:	6500K
Lifetime:	15000hrs
IP:	IP20
Operating temp:	-20°C ~40°C

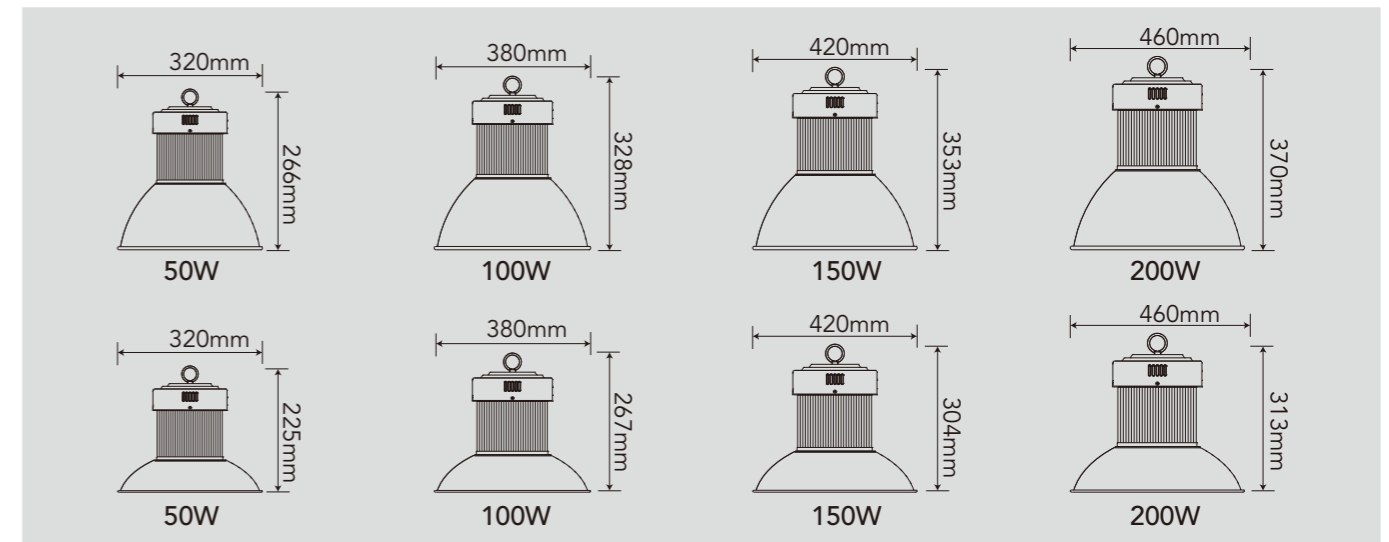


Code	Power (W)	Lumen (lm)	Beam Angle	Packing QTY (pcs/CTN)
FSH807A2-50	50	5000	90°	4
FSH807A2-100	100	10000	90°	4
FSH807A2-150	150	15000	90°	4
FSH807A2-200	200	20000	90°	4

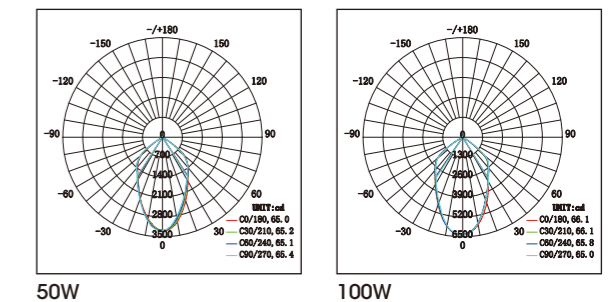
LED HIGH BAY



APPLICATION



Voltage:	90-265V 50/60Hz
PF:	0.95
CCT:	3000/4000/6500K
Lifetime:	25000hrs
IP:	IP20
Operating temp:	-20°C ~50°C



Code	Power (W)	Lumen (lm)	Beam Angle	Packing QTY (pcs/CTN)
FSH806A2-50	50	4000/4500/4500	60°/110°	2
FSH806A2-100	100	8000/9000/9000	60°/110°	2
FSH806A2-150	150	12000/13500/13500	70°/110°	2
FSH806A2-200	200	16000/18000/18000	80°/110°	2

LED STRIP LIGHT



Note:

Do not use scissor to cut, cut with a cutter. Correct operation and proper use, restoration of the original structure with wiring, cutting with the front of the knife and mounting with the tail cap ensure that the stub ends are completely sealed.

Features:

- * Cuttable strip with different color temperatures to create different ambiances
- * Flexible and easy to install thanks to the adhesive tape
- * High lumen efficacy
- * Further accessories kits can be ordered separately

Applications:

- * Indoor ambiance for hospitality, office and residential
- * Cove lighting
- * Cabinet, closet and back light
- * Restaurants
- * Spotlighting for accents



Code	Voltage	Power (W)	Lumen(lm) 3000/4000/6500K	CRI	Beam angle	IP	Life (hrs)
FSD1A-650	DC12V	8	600/610/620	≥80	120°	IP20	15000
FSD1A-650	DC12V	8	R/G/B/Y	/	120°	IP20	15000
FSD1A-650-8RGB	DC12V	8	/	/	120°	IP20	15000
FSD1B-650	DC12V	8	600/610/620	≥80	120°	IP65	15000
FSD1B-650	DC12V	8	R/G/B/Y	/	120°	IP65	15000
FSD1B-650-8RGB	DC12V	8	/	/	120°	IP65	15000



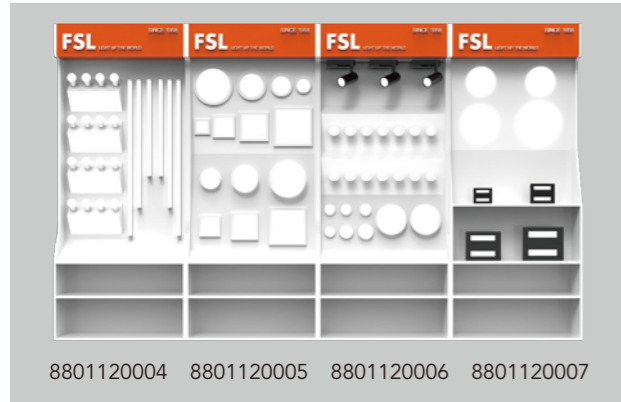
Code	Voltage	Power (W)	Lumen(lm) 3000/4000/6500K	CRI	Beam angle	IP	Life (hrs)
FSG9928-8	AC220-240V	8	700	≥80	120°	IP65	20000
FSG19828-12	AC220-240V	12	1000	≥80	120°	IP65	20000
FSG3A-650	AC220-240V	9	350/360/370	≥70	120°	IP65	15000
FSG3A-650	AC220-240V	9	R/G/B/Y	/	120°	IP65	15000



- High voltage waterproof power cord
- RS clip
- 5050 8mm RS end cap
- 5050 8mm RS middle connector
- RGB controller

BRAND PROMOTION MATERIALS

Showcase



8801120004 8801120005 8801120006 8801120007

Code	Size (cm)	Packing Size (cm)	Packing QTY (pcs/CTN)
8801120004	100*30*240	A:184x34.5x105 B:105.5x35.5x66	1
8801120005			
8801120006			
8801120007			



8101040779 8101040629

Code	Size (cm)	Packing Size (cm)	Packing QTY (pcs/CTN)
8101040779	80x45x185	83x53x37	1
8101040629	80x40x185	94x52x51	1



8101040813 8101040665 8101040859

Code	Size (cm)	Packing Size (cm)	Packing QTY (pcs/CTN)
8101040813	183x74x82	183x74x82	1
8101040665	128x56x30	128x56x30	2
8101040859	142x6.5x61	142x6.5x61	2

Lamp tester



8102020836 8801120002

Code	Size (cm)	Packing Size (cm)	Packing QTY (pcs/CTN)
8102020836	40x14x7.5	64.5x44x46	16
8801120002	9x8.5x6.5	46x38x24	50

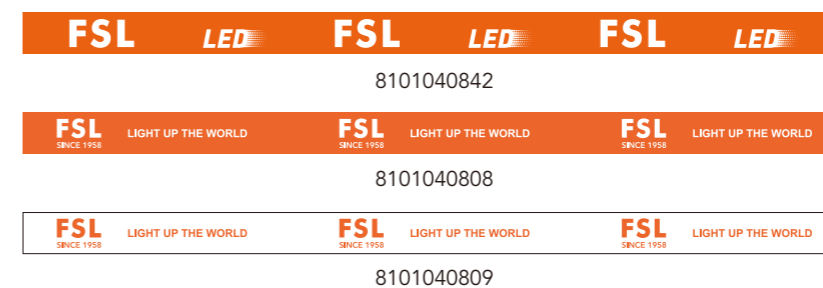
Floor sticker



8801120003

Code	Size (cm)	Packing Size (cm)	Packing QTY (pcs/CTN)
8801120003	60x46.5	61x48.5x9	20

Glass sticker



8101040842

8101040808

8101040809

Code	Size (cm)	Packing Size (cm)	Packing QTY (pcs/CTN)
8101040842	200x10	/	10
8101040808	200x10	/	10
8101040809	200x10	/	10
8101040811	30x22	/	100
8101040839	25.5x45	49x28x30	600



8101040811

8101040839

Advertising banners



Code	Size (cm)	Packing Size (cm)	Packing QTY (pcs/CTN)
8101051206	26x500	44x31x21	150

Notebook



Code	Size (cm)	Packing Size (cm)	Packing QTY (pcs/CTN)
8101051974	14x21	44x30.5x21.5	56
8101051180	14x21	44x30.5x21.5	120

Light box sign



Code	Size (cm)	Packing Size (cm)	Packing QTY (pcs/CTN)
8101048267	55x45x10	51*15*62	1

Apparel



Code	Size (cm)	Packing Size (cm)	Packing QTY (pcs/CTN)
8105010607	/	54x55x32	100
8101040766	/	54x32x50	300

Others



Code	Size (cm)	Packing Size (cm)	Packing QTY (pcs/CTN)
8101040829	12x17.5	75.5x42.5x29.3	80
8101050865	14x1.3	48x31.3x20	1000



Code	Size (cm)	Packing Size (cm)	Packing QTY (pcs/CTN)
8101048268	120	103x30x26	50
8101040828	240	120x24x20	10



Code	Size (cm)	Packing Size (cm)	Packing QTY (pcs/CTN)
8101040807	30x50	60x24x30	2000
8302000001	11x6	46x34x31	60
8101040862	3.5x4	56x46x28	2000